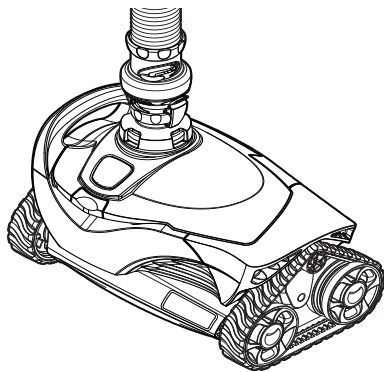
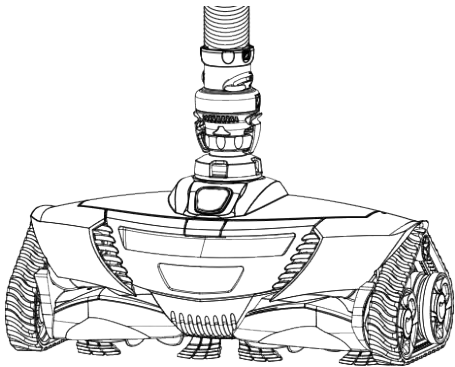


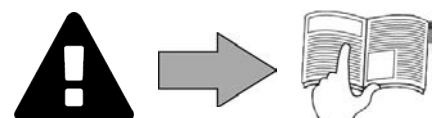
MX6™
MX630™
MX8™
MX8™ PRO
MX9™

Instructions for installation and use - English
Hydraulic cleaner
Translation of the original instructions in French

EN



More documents on:
www.zodiac.com



WARNINGS

GENERAL WARNINGS

- Failure to respect the warnings may cause serious damage to the pool equipment or cause serious injury, even death.
- Only a person qualified in the technical fields concerned (electricity, hydraulics or refrigeration) is authorised to perform this procedure. The qualified technician working on the appliance must use/wear personal protective equipment (such as safety goggles and protective gloves, etc.) in order to reduce the risk of injury occurring when working on the appliance.
- Before servicing the appliance, ensure that it is switched off and isolated from the power supply circuit.
- The appliance is intended to be used only for swimming pools and spas; it must not be used for any purpose other than that for which it has been designed.
- It is important that the appliance is operated by people who are competent and qualified (both physically and mentally), after having read the instructions for use. Persons not meeting these criteria should not be allowed access to the appliance in order to prevent risk of property damage or injury, including loss of life.
- Keep the appliance out of the reach of children.
- The appliance must be installed according to the manufacturer's instructions and in compliance with all applicable local and national standards. The installer is responsible for installing the appliance and for compliance with national installation regulations. Under no circumstances may the manufacturer be held liable in the event of failure to comply with applicable local installation standards.
- For any work other than the simple user maintenance described in this manual, the product should be referred to a qualified professional.
- Incorrect installation and/or use may cause serious damage to property or serious injuries (possibly causing death).
- All equipment, even postage and packing paid, travels at the risks and perils of the recipient. The latter shall issue reserves in writing on the carrier's delivery slip if damage is detected, caused during transport (confirmation to be sent to the carrier within 48 hours by registered letter). In the event that an appliance containing coolant has been turned on its side, mention your reservations in writing to the carrier.
- If the appliance suffers a malfunction, do not try to repair it yourself; instead contact a qualified technician.
- Refer to the warranty conditions for details of the permitted water balance values for operating the appliance.
- In addition to using spare parts manufactured by unauthorised third-party manufacturers, deactivating, eliminating or by-passing any of the safety mechanisms integral to the appliance, will automatically void the warranty.
- Do not spray insecticide or any other chemical (inflammable or non-inflammable) in the direction of the appliance, as this may damage the body and cause a fire.
- Zodiac® heat pump, filtration pump and filter appliances are compatible with the most commonly used types of pool water treatment systems.
- Do not touch the fan and/or any moving parts and do not insert anything, including your fingers in the vicinity of the moving parts while the appliance is in operation.

WARNINGS ASSOCIATED WITH ELECTRICAL APPLIANCES

- The electrical supply to the appliance must be protected by a dedicated 30 mA differential residual current protection device (RCD), complying with the standards and regulations in force in the country where it is installed.
- Do not use an extension cord to plug in the appliance; connect the appliance directly to a suitable power supply circuit.
- Before carrying out any operations, check that:
 - The voltage indicated on the rating plate of the appliance corresponds to the mains voltage,
 - The power grid is adapted to the power requirements of the appliance, and is grounded.
 - The plug (where applicable) is suitable for the socket.
- In the event of abnormal function or signs of overheating such as an unusual odours from the appliance, turn it off immediately, unplug / disconnect it from its power supply and contact a professional.
- Before accessing the enclosure for any reason, ensure that all power to the appliance and also power to any accessories or external devices which may be connected to the appliance, is disconnected from the mains power supply.
- Do not disconnect and reconnect the appliance to the power supply when in operation.
- Do not pull on the power cord to disconnect it from the power supply.
- If the supply cord is damaged, it must be replaced by the manufacturer, its service agent or similarly qualified persons in order to avoid a hazard.
- Do not attempt to carry out any servicing or maintenance operations with wet hands or while the appliance is wet.
- Ensure that all terminals for mains power are free in good condition and free of corrosion and/or dirt/debris.
- For any component or sub-assembly containing a battery: do not recharge or dismantle the battery, or throw it into a fire. Do not expose it to high temperatures or direct sunlight.
- In stormy weather, disconnect the appliance from the power supply to prevent it from suffering lightning damage.
- Do not immerse the appliance in water (with the exception of cleaners) or mud.

SPECIFIC FEATURES APPLICABLE TO "Pool cleaners"

- The cleaner must operate in pool water with a temperature of between 15°C and 35°C.
- To avoid possible injury and damage to the cleaner, do not operate the cleaner out of the water.
- In order to prevent possible injury, bathing is prohibited when your cleaner is in the pool.
- Do not use the cleaner during shock chlorination.
- Do not leave the cleaner unattended for an extended period.

WARNING ON THE USE OF A CLEANER IN A POOL WITH A VINYL SURFACE:

- Before installing your new cleaner, carefully inspect the lining of your pool. If the liner has eroded in some areas, or if you notice gravel, folds, roots or corrosion caused by metal on the inner surface of the liner, or if you notice that the support (bottom and walls) is damaged, do not install the cleaner before performing the necessary repairs or before replacing the liner using a qualified professional. The manufacturer cannot be held liable in any way for damage caused to the liner.
- The surface of certain vinyl patterned surfaces can wear rapidly and the patterns disappear on contact from objects such as cleaning brushes, toys, inflatable buoys, chlorine distributors and automatic pool cleaners. The decoration on some vinyl surfaces can be scratched or worn by basic friction such as through the use of a pool brush. The colours of certain patterns can also be erased during use or when in contact with objects in the pool. The erased patterns, wear or scratching of vinyl surfaces are not the liability of the manufacturer and are not covered by the limited warranty.

Recycling



This symbol means that your appliance must not be thrown into a normal bin. It will be selectively collected for the purpose of reuse, recycling or transformation. If it contains any substances that may be harmful to the environment, these will be eliminated or neutralised.

Contact your dealer for recycling information.



- Before you do anything with the device, it is vital that you read this installation and user manual, as well as the "warnings and warranty" booklet delivered with the device. Failure to do so may result in material damage or serious or fatal injury and will invalidate the warranty.
- Save these instructions for future reference for service and maintenance.
- It is prohibited to distribute or modify this document in any way without authorisation from Zodiac®.
- Zodiac® is constantly developing its products to improve their quality; therefore, the information contained in this document may be modified without notice.

CONTENTS



1 Specifications

3

1.1 | Description

3

1.2 | Technical specifications and marking

4



2 Installation

5

2.1 | Setup

5

2.2 | Hose section assembly

5

2.3 | Hydraulic connections

6



3 Use

8

3.1 | Operating principle

8

3.2 | Pool preparation

8

3.3 | Operating

8

3.4 | Adjusting the water flow

9

3.5 | Choice of suction mode: small or large debris (according to model)

10



4 Maintenance

11

4.1 | Cleaning the filtration pump basket

11

4.2 | Cleaning the "Cyclonic™" Leaf Catcher

11

4.3 | Removing debris from the motor

12

4.4 | Replacing the tracks

12

4.5 | Storage and wintering

13



5 Troubleshooting

14

5.1 | Device behaviour

14



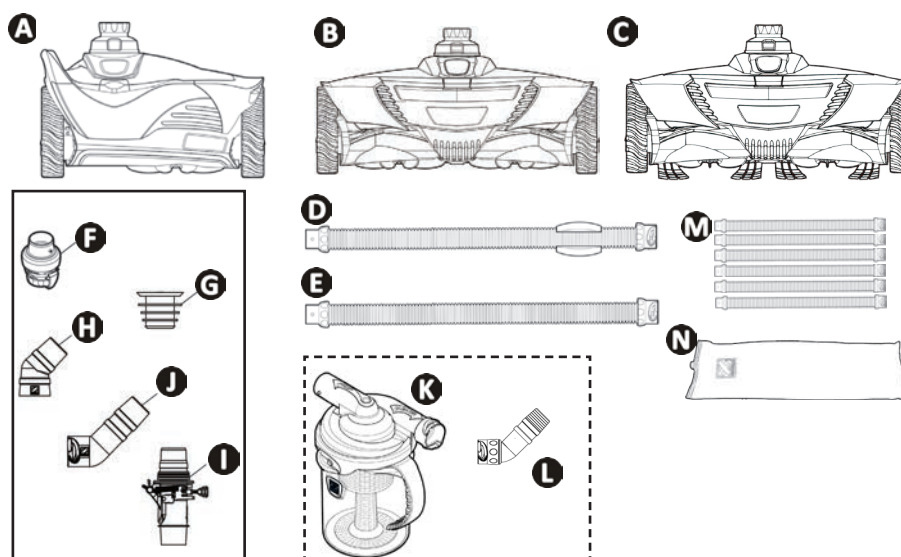
Tip: to make it easier to contact your reseller

Write down your reseller's contact details to help you find them more easily and fill in the "product" information on the back of the manual; your reseller will ask you for this information.



1 Specifications

1.1 | Description



		MX™ 6 - MX™ 630	MX™ 8	MX™ 8 PRO	MX™ 9
A	Cleaner	✓			
B			✓	✓	
C					✓
D	1 metre Twist Lock hose float section (x1)	✓	✓	✓	✓
E	1 metre Twist Lock hose section	✓ (x9)	✓ (x11)	✓ (x11)	✓ (x11)
F	Flow regulator valve	✓	✓	✓	✓
G	In-ground valve cuff	✓	✓	✓	✓
H	45° flexible elbow	✓	✓	✓	✓
I	Flowkeeper valve	✓	✓	✓	✓
J	45° Twist Lock elbow extended	✓	✓		✓
K	"Cyclonic™" Leaf Catcher	+	+	✓	+
L	Rotating 45° extended elbow	+	+	✓	+
M	Set of 6 1-metre Twist Lock hose sections	+	+	+	+
N	Wintering bag for hoses	+	+	+	+

✓: Supplied

+: Available as an option

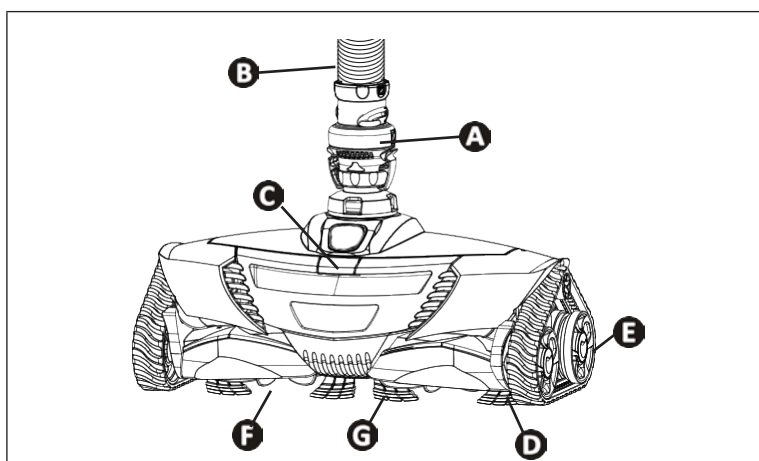
➤ 1.2 I Technical specifications and marking

1.2.1 Technical specifications

	MX™ 6 - MX™ 630	MX™ 8	MX™ 8 PRO	MX™ 9
Cleaner size (L x W x h)	31 x 19 x 22 cm	41 x 19 x 22 cm		
Package size (L x W x h)	102 x 23 x 37 cm			
Cleaner weight	2.5 kg	3.2 kg		3.4kg
Packaged weight	8.2 kg	9.5 kg	10.5 kg	9.5 kg
Theoretical cleaning width	25 cm	36 cm		
Filtration capacity	Pool filtering circuit			
Minimum powered required for the filtering pump.	3/4 HP			
Movement speed	8 m/ min			

EN

1.2.2 Marking

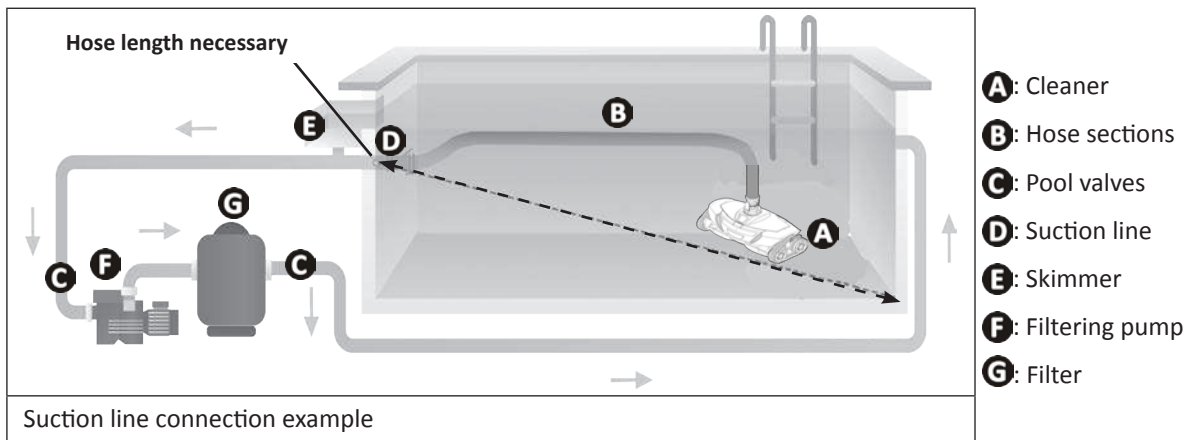


- A**: Flow regulator valve
- B**: Hose section
- C**: Cover opening button
- D**: Tracks
- E**: Wheels
- F**: Turbines
- G**: Brushes (according to model)



2 Installation

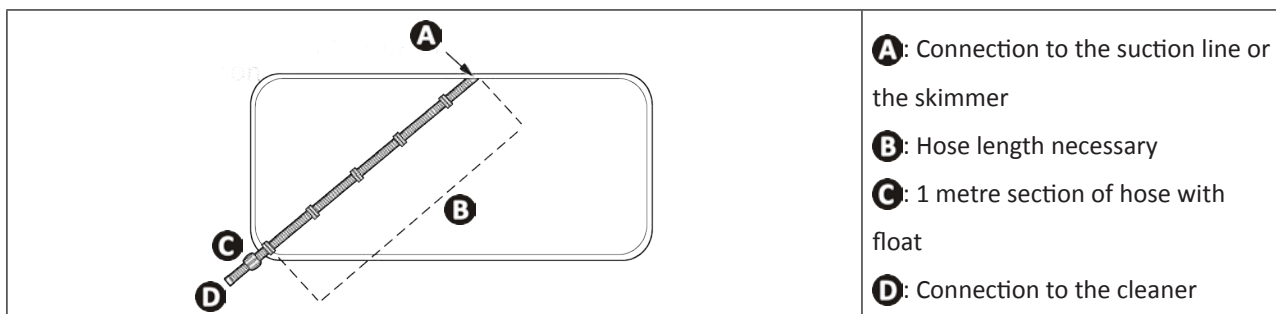
2.1 I Setup



2.2 I Hose section assembly

2.2.1 Determine the number of sections you need

- Measure the length between the suction line or the skimmer and the furthest away point of the pool.
- Add an extra 1 metre to the length measured.
- If total length is over 10 metres (MX™6 - MX™630) or 12 metres (MX™8 - MX™8 PRO - MX™9), contact your reseller to purchase any additional hose sections required for your pool.

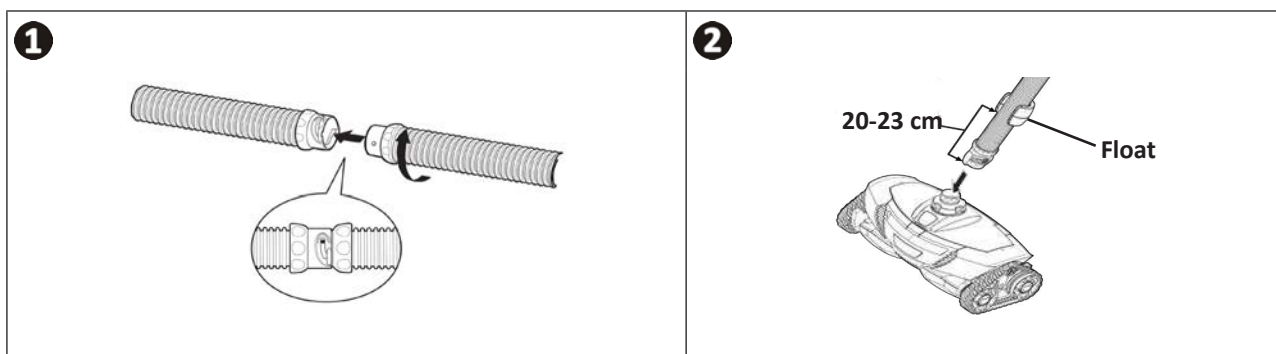


Tip: assemble the "right" quantity of hose sections

Assembling more hose sections than the length necessary to cover the whole pool is not recommended. Hoses that are too long may limit the cleaner's performance.

2.2.2 Twist Lock Hose section assembly

- To easily assemble the two pipe sections using the Twist Lock system, connect them then twist until the connectors are in complete abutment, in one of the 3 notches providing the seal (see image **1**).
- The section of Twist Lock hose with the hose float attached will be connected to the cleaner (see image **2**). The Twist Lock hose float must be located **20-23 cm** away from the cleaner (see image **2**).

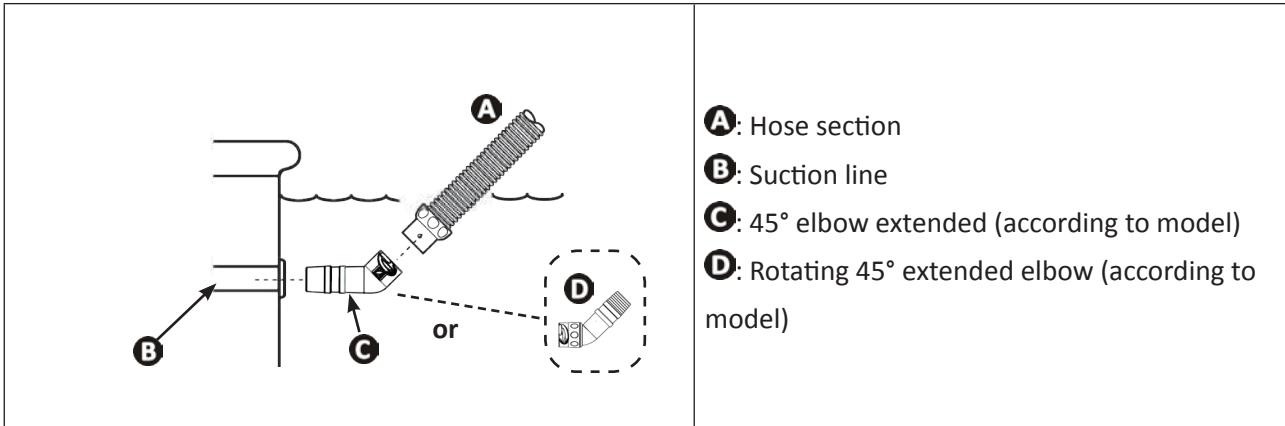


2.3 I Hydraulic connections



- Turn off the filtration pump.
- Clean the skimmer basket, the filtration pump filter basket and the filter if necessary.

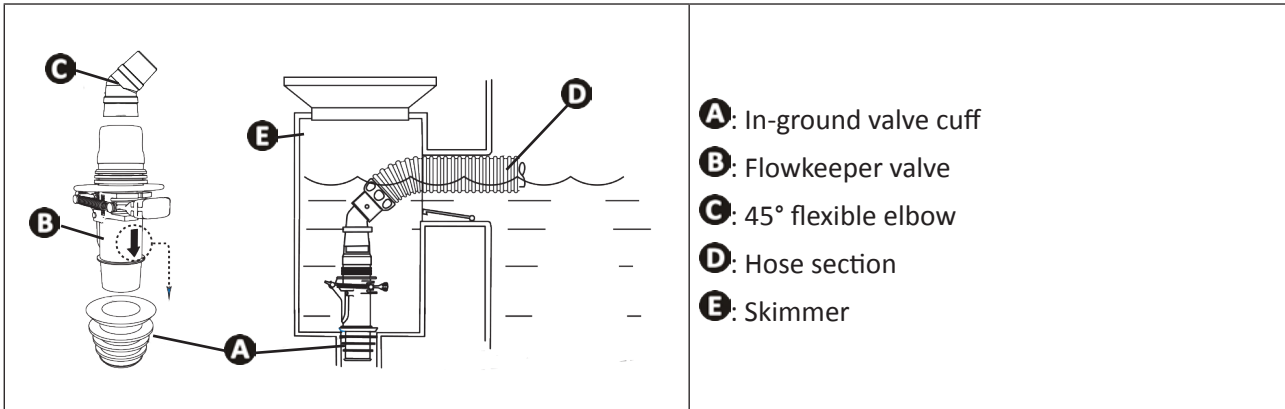
2.3.1 Connection to the suction line



EN

2.3.2 Connection to the skimmer

- If the pool has more than one skimmer, connect the pipe to the one which is the closest to the filtration pump.

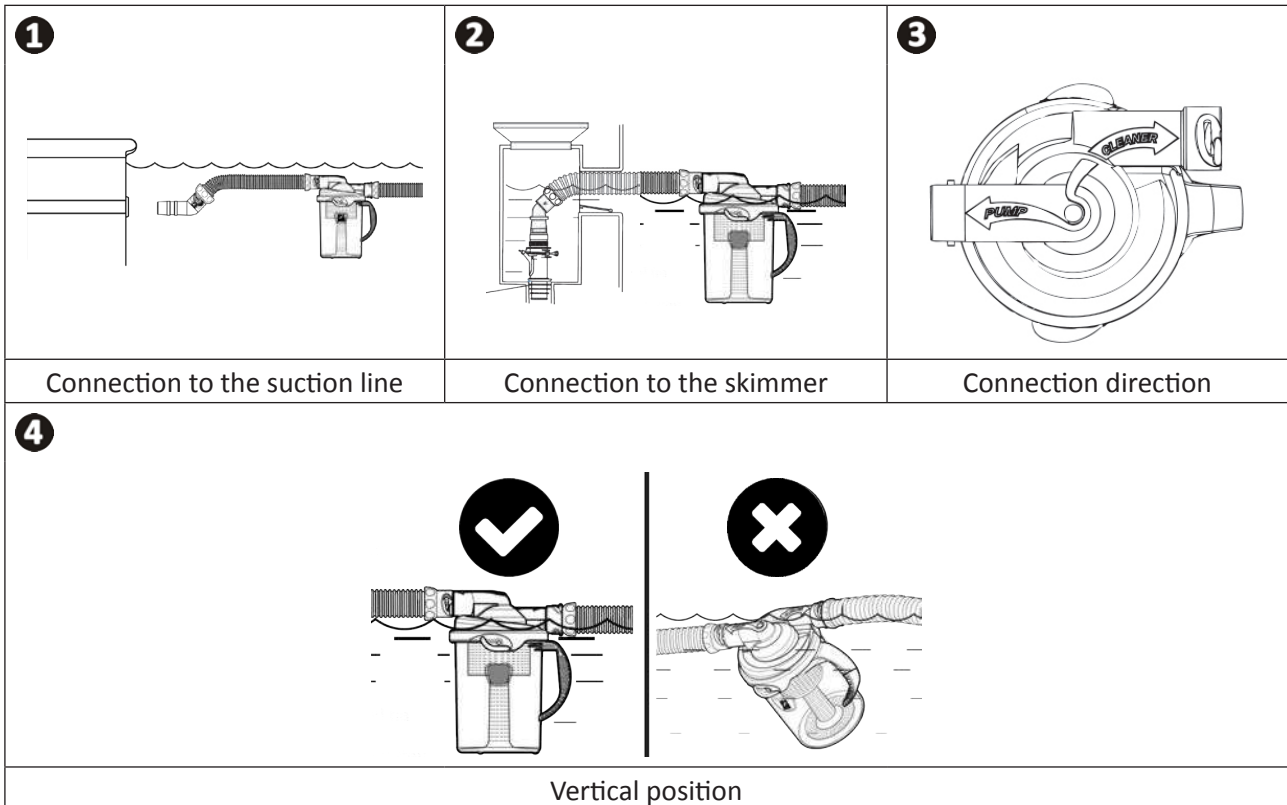


Tip: Protect the filtration system by connecting the flowkeeper valve

This valve is used to adjust the flow to optimise the cleaner's performance; it is also very useful for retaining any debris that may be sucked in and damage the filtration equipment.

2.3.3 "Cyclonic™ Leaf Catcher" connection (according to model)

- Connect the Cyclonic™ Leaf Catcher to the hose assembly which is closest to the suction line or the skimmer (see image **1** or **2**).
- Tilt the Cyclonic™ Leaf Catcher by following the indications: "PUMP" = filtration pump side / "CLEANER" = cleaner side (see image **3**).
- For the bet operation, position the Cyclonic™ Leaf Catcher vertically to the water surface (see image **4**).



Tip: Protect the filtration system by connecting the Cyclonic™ Leaf Catcher

The Cyclonic™ Leaf Catcher is used to retain the debris before it is sucked into the filtration system as this may cause long-term damage to the equipment. It also enables the debris to be removed more easily than in the pump filter basket and has the advantage that it is transparent so you can see when it needs to be cleaned.



3 Use

3.1 | Operating principle

The hydraulic cleaners connect to the filtration system (either to a suction line or a skimmer); they use the filtration pump's energy to move around the pool. The wall climbing capacity varies according to the shape of the pool and the available water flow.

The debris is sucked in by the cleaner and captured in the filtration pump's filter basket or in the Cyclonic™ Leaf Catcher (accessory included or available as an option depending on the model).

3.2 | Pool preparation



- This product is intended to be used in pools which are permanently installed. Do not use it in pools which may be dismantled. A permanent pool is built into the ground or on the ground and cannot be easily dismantled and stored.

- The device must operate in pool water with the following quality:

Water temperature	Between 15°C and 35°C
pH	Between 6.8 and 7.6
Chlorine	< 3 mg/l

- When the pool is dirty, especially when first installing your cleaner, remove the largest debris using a telescopic pole and net prior to installing the cleaner.
- Remove any thermometers, toys and other objects that might damage the device.
- After adding chemical products to the water, wait at least 4 hours before putting the cleaner into the water.
- Make sure that the filtration and the skimmer baskets are clean.
- Aim the pool return lines downward if adjustable.
- Close the pool's main drain line.
- Turn off the filtration pump off.

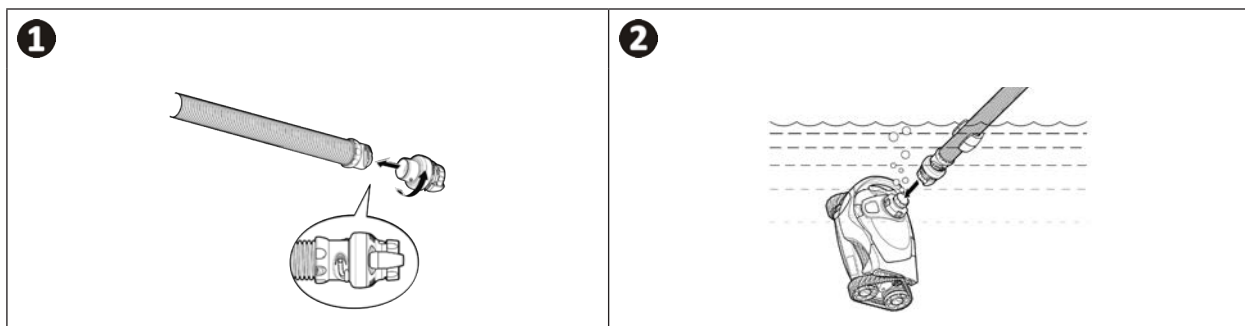
3.3 | Operating



- To avoid serious injury, make sure the filtration pump is turned off.
- Do not expose your hair, loose clothing, jewellery, etc. to the open end of the hose.

3.3.1 Connecting the flow regulator valve and immersing the cleaner

- Connect the flow regulator valve to the hose (see image ①).
- Immerse the cleaner so that it fills up with water.
- When there are no more air bubbles escaping from the cleaner, connect the hose by inserting the flow regulator valve onto the cleaner (see image ②).
- Let the cleaner descends to the bottom of the pool.



3.3.2 Filling the hose assembly

- Disconnect the hose assembly from the suction line or skimmer temporarily.
- Turn on the filtration pump.
- Fill the Hose assembly with water by placing the open end in front of a pool return line until it is filled.
- Turn off the filtration pump and connect the Hose assembly to the dedicated suction line or skimmer.
- Turn on the filtration pump on to activate the pool cleaner.

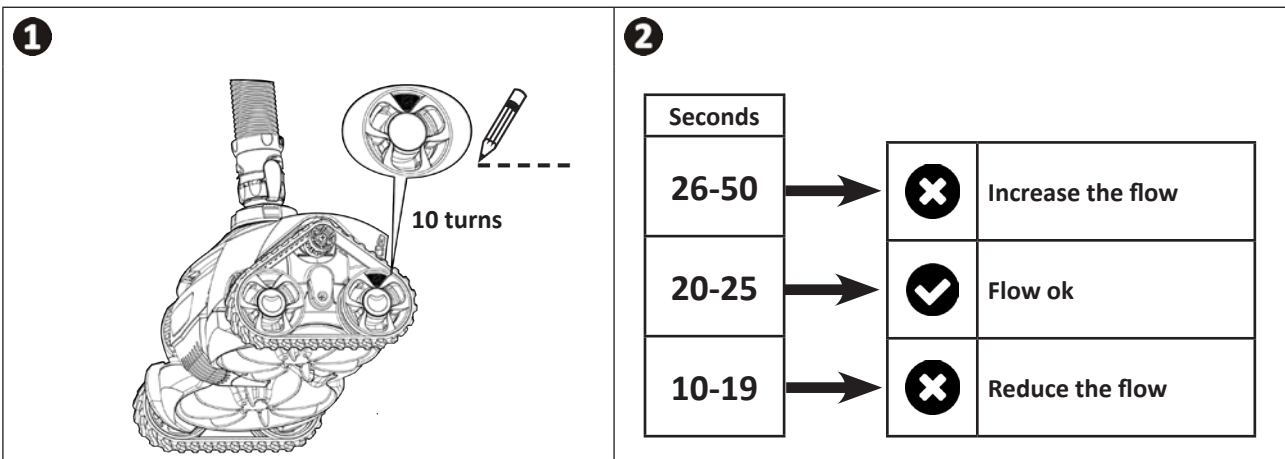
3.4 I Adjusting the water flow

- The filtration pump must be operating.
- Check the water flow regularly to ensure the best possible cleaning performance and to make it easier for the cleaner to climb the sides.
- The cleaner is equipped with a flow regulator valve which automatically adjusts the water flow through the cleaner. It indicates whether the water flow is ok or excessive: **YELLOW** = flow ok / **RED** = flow excessive



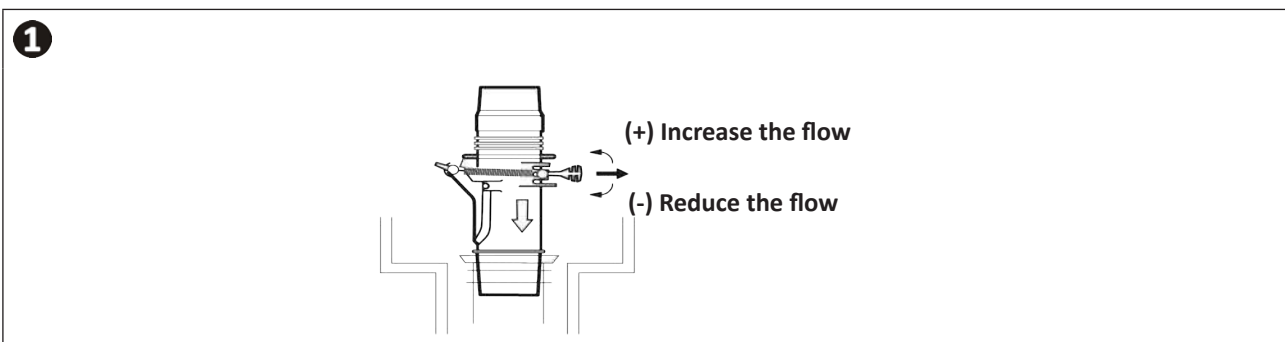
3.4.1 Checking the wheel rotation speed

- The filtration pump must be operating.
- Switch on the filtration pump (have a stopwatch ready).
- Raise the cleaner to below the surface of the water, keeping it submerged.
- Note the yellow indicator on the rear right wheel (see image 1).
- For MX8 - MX8 PRO - MX9: Wait until the wheels change direction and log the time until the wheels have performed 10 turns (see image 1).
- Adjust the water flow according to the time logged (see image 2).



3.4.2 Adjusting the water flow

- Adjust the water flow using the flowkeeper valve provided with the device (see image 1), or from the pool valves.



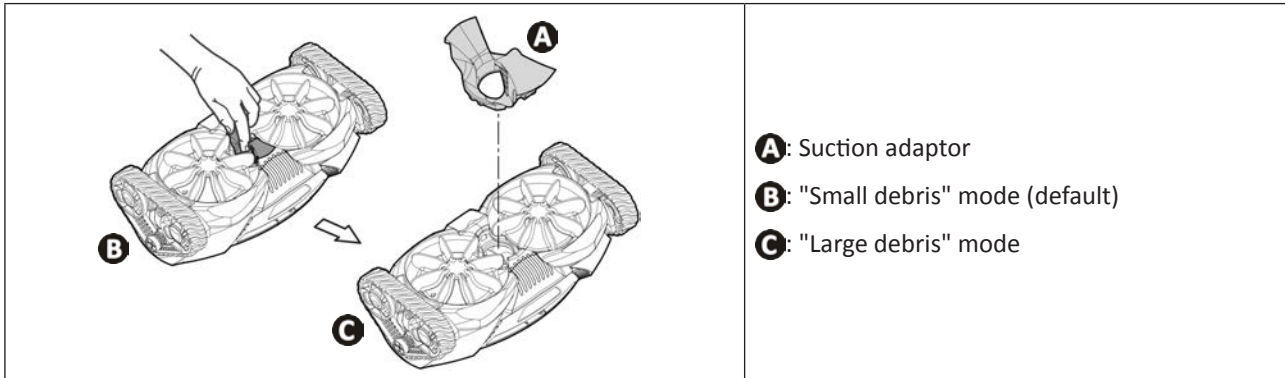
➤ 3.5 I Choice of suction mode: small or large debris (according to model)



Before starting this operation and to avoid serious injury:

- Turn off the filtration pump.
- Disconnect the cleaner from the Twist Lock hose assembly.

- The cleaner has a suction adaptor; it is located under the cleaner.
- The adaptor enables the suction to be adjusted according to the type of debris to be dealt with: **"small debris" mode** (small or heavy debris such as sand, silt and stones), **"large debris" mode** (leaves).
- **To switch to "large debris" mode:** remove the adaptor by inserting a finger into it and raising the rear edge.
- **To return to "small debris" mode:** press the front and rear edges of the adaptor to clip it into its housing.



Tip: It is best to use "small debris" mode during the bathing season

When the pool is cleaned regularly, we recommend that you leave the suction adaptor in place to be in "small debris" mode.



4 Maintenance

- The device must be cleaned regularly using clean or slightly soapy water. Do not use any solvents.
- Rinse the device generously using clean water.
- Never store the cleaner in direct sunlight. Store the hoses laying flat and not coiled to prevent unwanted hose memory.

4.1 I Cleaning the filtration pump basket

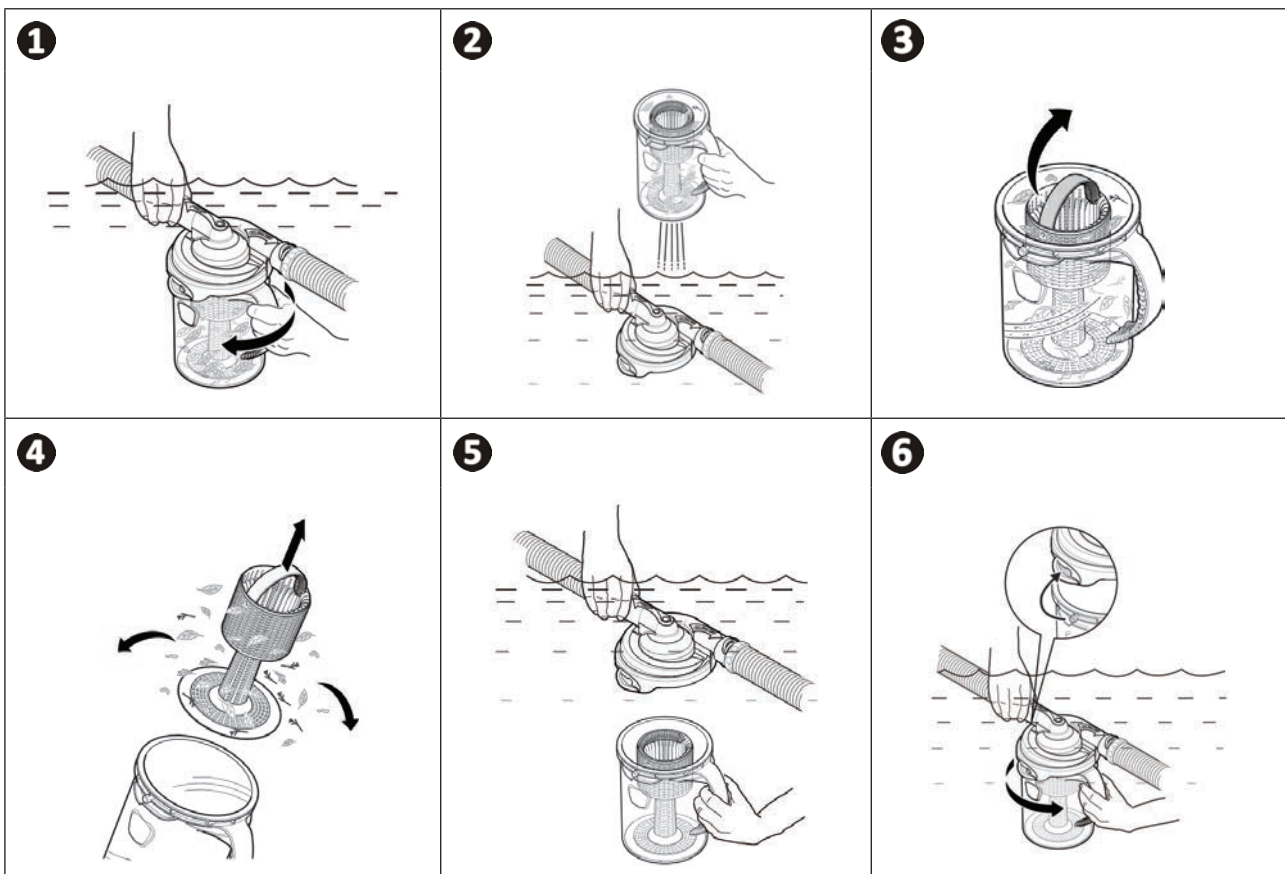


- Always remove the cleaner from the pool before cleaning or bleeding the filtration system.
- Before cleaning (and before you put the cleaner back into the water), start the filtration pump for at least 5 minutes before you bleed the circuit.

- For maximum cleaner performance it is recommended the filtration pump basket be kept clean by removing debris as needed.
- Use of the Cyclonic™ Leaf Catcher (accessory included or optional depending on the model) is recommended to collect large debris before it reaches the skimmer and the pump basket.

4.2 I Cleaning the "Cyclonic™" Leaf Catcher

- Turn off the filtration pump.
- Keep the Cyclonic™ Leaf Catcher under the water and take hold of it by the handle. Using the handle, turn the transparent canister until it detaches (see image 1).
- Remove the transparent canister from the water and leave the lid and the hoses under the water (see image 2).
- Remove the filter using the top handle (see image 3).
- Remove the debris and rinse the transparent canister in clean water (see image 4).
- Put the filter back in place and immerse the Cyclonic™ Leaf Catcher again (see image 5).
- Position the transparent canister correctly on the lid notches then turn it sharply to push the 2 parts in (see image 6).



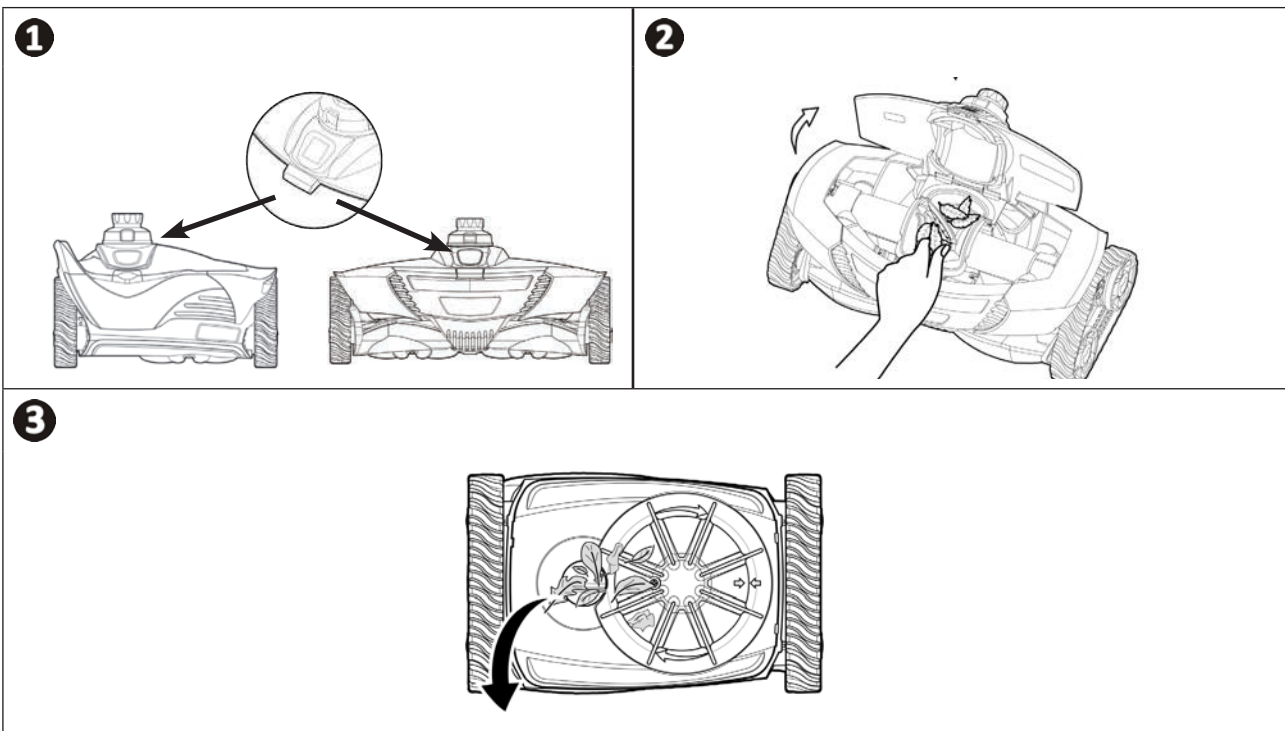
4.3 I Removing debris from the motor



Before starting this operation and to avoid serious injury:

- Turn off the filtration pump.
- Disconnect the cleaner from the Twist Lock hose assembly.

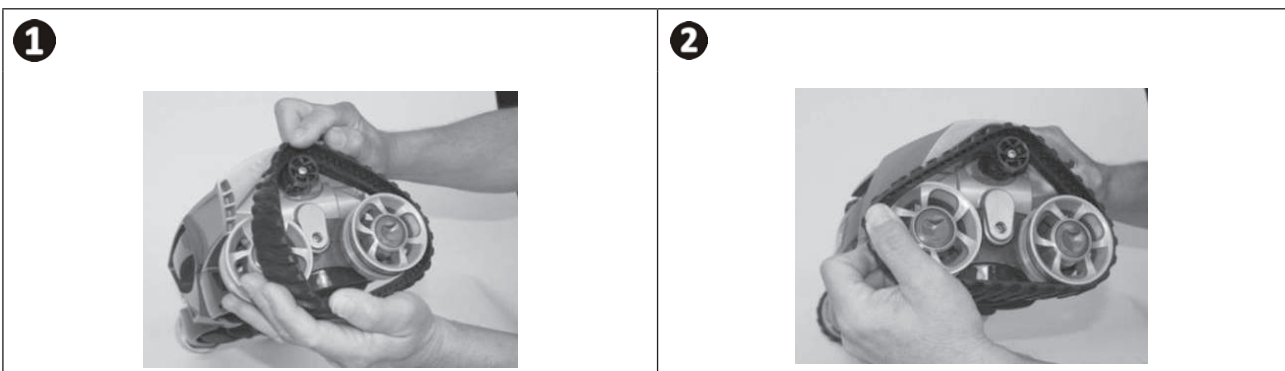
- Press the button on the top and lift the lid (see image 1).
- Remove the debris inside (see image 2) and also under the cleaner (see image 3).
- If necessary, gently push the motor blades forward and backward to reveal any trapped debris and remove it. When you move the blades, make sure that the cleaner's tracks turn freely and that they are correctly synchronised with the movement of the blades under the cleaner.
- Also remove any debris which may be caught in the suction inlet.
- Close the lid and make sure it locks.



EN

4.4 I Replacing the tracks

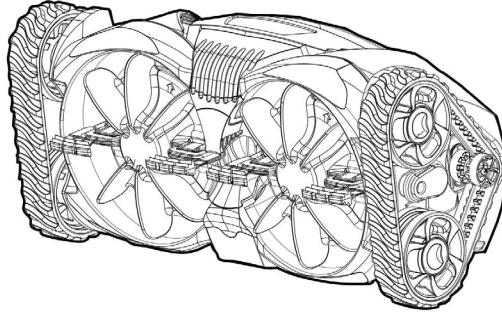
- Lay the cleaner on one side.
- Starting with one of the wheels, pull the inside of the track to separate it from the wheel (see image 1). Then remove the track from the cleaner.
- To install the new track, position the inside of the track on the small wheel's grooves and on one of the large wheels.
- Stretch the track around the second wheel, (see image 2). Press down on the track to position it correctly on the wheel grooves. Make sure that the track passes under the guide.



➤ 4.5 I Storage and winterizing

- For winterizing, drain off all the water from the cleaner (damage caused by frost is not covered by the warranty).
- Clean the whole device and the hoses in clean water then leave to dry.
- Store the device in a dry place which is protected from freezing conditions. Store the cleaner on its side or back to avoid damage to turbine (voir image ①).
- Remove all the connectors and adaptors from the suction line or the skimmer.

①



Tip: Preserve the condition of the hoses during storage

When the cleaner is stored away, even for short periods, avoid rolling the hoses: they may take on a shape which may harm the cleaner's performances.



5 Troubleshooting



- Before you contact your reseller, please carry out these few simple checks using the following tables if a problem occurs.
- If the problem continues contact your reseller.

5.1 I Device behaviour

EN

<p>The cleaner is immobile or very slow.</p>	<ul style="list-style-type: none"> • Close the main drain line. • Clean and empty the skimmer and filtration pump baskets. • Inspect the motor area and remove any visible debris. (see "4.3 I Removing debris from the motor") • Remove the suction adaptor under the cleaner (see "3.5 I Choice of suction mode: small or large debris (according to model)"). • Check the flow (see "3.4 I Adjusting the water flow"). • Turn on the filtration pump to verify there is no air in the system. If the filtration pump basket is filled with air bubbles and, or the water level is low this indicates there is air present in the circulation system. If air is in the system it will be seen as water flows out the pool return lines. Air can be drawn into the circulation system through components on the suction side of the filtration pump. This includes holes or cracks in the cleaners hose sections. • Verify the pool surface is not covered with algae as this slippery surface will not allow the cleaner to gain traction and climb. If it is, carry out shock chlorination and slightly reduce the pH.
<p>The cleaner does not cover the entire pool.</p>	<ul style="list-style-type: none"> • Check the flow (see "3.4 I Adjusting the water flow"). • Aim the return line fittings in the pool downward if adjustable. • Check the hose sections for coils. If a memory has formed turn off the cleaner and remove the affected hose sections. Lie the pipe sections having formed loops flat in the sun until these sections recover their normal shape. Re-install the hose sections on the cleaner. • Check the hose assembly is long enough (see "2.2 I Hose section assembly"). If it is not, add hose sections. • Check the position of the hose float on the leader hose section (see "2.2 I Hose section assembly"). • Monitor the cleaner for more than five minutes and check that each track changes direction regularly.
<p>The cleaner is stopped on the steps.</p>	<ul style="list-style-type: none"> • Check the top cover swivel turns freely. • Test the flow by checking the wheel rotation speed (see "3.4.1 Checking the wheel rotation speed"). • Check that the pipe is not too long (see "2.2 I Hose section assembly"). If it is, shorten the hose length by removing sections.
<p>The cleaner does not climb the pool walls.</p>	<ul style="list-style-type: none"> • Check the flow (see "3.4.1 Checking the wheel rotation speed") and increase it if necessary (see "3.4.2 Adjusting the water flow"). • Check that the hose float is positioned correctly on the leader hose (see "2.2 I Hose section assembly"). • Check that the pool walls are free of algae and not slippery.
<p>The cleaner climbs above the water line.</p>	<ul style="list-style-type: none"> • Reduce the flow (see "3.4.2 Adjusting the water flow"). • Check that the hose float is positioned correctly on the leader hose (see "2.2 I Hose section assembly").
<p>The cleaner lays on its side.</p>	<ul style="list-style-type: none"> • Check that the hose float is positioned correctly on the leader hose (see "2.2 I Hose section assembly").

Votre revendeur
Your retailer

Modèle appareil
Appliance model

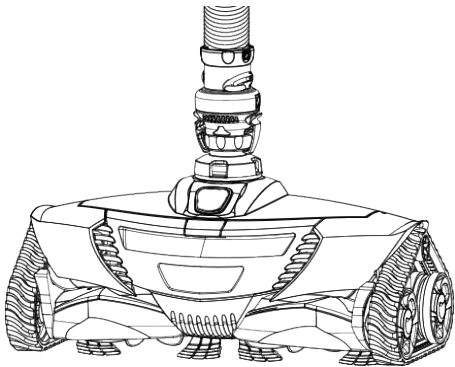
Numéro de série
Serial number

Trouvez plus d'informations et enregistrez votre produit sur
More informations and register your product on

www.zodiac.com

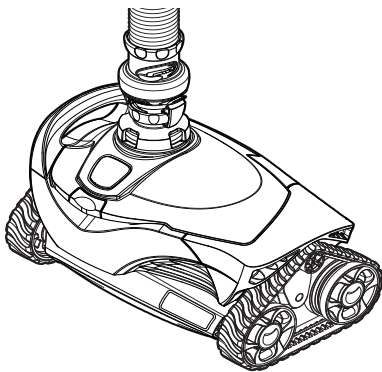


MX6™
MX630™
MX8™
MX8™ PRO
MX9™

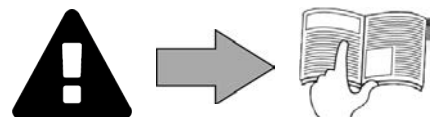


Installatie- en gebruikshandleiding - Nederlands
Hydraulische robot
Vertaling van de originele Franse instructies

NL



More documents on:
www.zodiac.com



WAARSCHUWINGEN

ALGEMENE WAARSCHUWINGEN

- Het negeren van de waarschuwingen kan leiden tot schade aan de zwembadinstallatie of tot ernstig letsel, en kan zelfs de dood tot gevolg hebben.
- Alleen een vakman op het gebied van de betreffende technische vakgebieden (elektriciteit, hydraulica of koeltechnieken) is bevoegd deze procedure uit te voeren. De vakkundige monteur die werkzaamheden aan het apparaat verricht, moet persoonlijke beschermingsmiddelen gebruiken/dragen (zoals een veiligheidsbril, veiligheidshandschoenen, enz.) om het risico op letsel tijdens de werkzaamheden aan het apparaat zo veel mogelijk te beperken.
- Controleer vóór het uitvoeren van ongeacht welke werkzaamheden of de stroom uitgeschakeld is en de toegang tot het apparaat vergrendeld is.
- Het apparaat is bedoeld voor een specifieke toepassing voor zwembaden en spa's en mag niet worden gebruikt voor andere doeleinden dan waarvoor het is ontworpen.
- Het is erg belangrijk dat het apparaat wordt bediend door bevoegde personen die hiertoe fysiek en mentaal in staat zijn en die op voorhand de gebruiksinstructies hebben ontvangen. Personen die niet aan deze criteria voldoen, zouden geen toegang mogen krijgen tot het apparaat, teneinde ieder risico op schade of (dodelijk) letsel te vermijden.
- Het apparaat buiten bereik van kinderen houden.
- Het apparaat moet worden geïnstalleerd volgens de instructies van de fabrikant en met respect voor de lokaal en landelijk geldende normen. De installateur is verantwoordelijk voor het installeren van het apparaat en de naleving van de nationale regelgeving met betrekking tot de installatie. De fabrikant kan in geen geval aansprakelijk worden gesteld wanneer de lokale installatienormen niet worden gerespecteerd.
- Voor alle andere tussenkomsten dan het eenvoudig gebruikersonderhoud zoals beschreven in deze handleiding, moet het product worden onderhouden door een vakman.
- Elke slechte installatie en/of verkeerd gebruik kan leiden tot ernstige materiële schade of lichamelijke letsels (die tot de dood kunnen leiden).
- Elk materiaal, zelfs port betaald en zonder verpakkingskosten, wordt op risico van de ontvanger verzonden. Indien hij schade veroorzaakt tijdens het transport constateert, moet hij dit schriftelijk op de leveringsbon vermelden (bevestiging binnen 48 uur per aangetekend schrijven aan de vervoerder). In het geval dat een apparaat koelmiddel bevat, en dit is omgevallen, moet dit schriftelijk aan de vervoerder worden gemeld.
- Bij storing van het apparaat niet proberen zelf het apparaat te repareren, maar contact opnemen met een gekwalificeerd installateur.
- Raadpleeg de garantievoorwaarden voor de gedetailleerde evenwichtsvoorwaarden van het toegelaten water voor de werking van het apparaat.
- Elke deactivering, verwijdering of ontwijking van een van de ingebouwde beveiligingselementen in het apparaat doet automatisch de garantie vervallen, evenals het gebruik van vervangende onderdelen afkomstig van een niet-geautoriseerde derde fabrikant.
- Spuit geen insecticide of andere chemische producten (brandbaar of niet brandbaar) in de richting van het apparaat, dit kan de behuizing beschadigen en brand veroorzaken.
- De Zodiac®-apparaten van het type warmtepomp, filtratiepompen en filters zijn compatibel met de meeste types van waterbehandeling voor zwembaden.
- Raak de ventilator en de bewegende delen niet aan en houd stangetjes en uw vingers uit de buurt van de bewegende delen tijdens de werking van het apparaat. De bewegende delen kunnen ernstig en zelfs dodelijk letsel tot gevolg hebben.

Waarschuwingen met betrekking tot elektrische apparaten

- De elektrische voeding van het apparaat moet worden beschermd door een speciale differentieelzekering van 30 mA conform de normen van het installatieland.
- Gebruik geen verlengsnoer om het apparaat aan te sluiten; dit moet rechtstreeks aangesloten worden op een geschikt voedingscircuit.
- Voor elke bewerking nagaan of:
 - De spanning, aangegeven op het kenplaatje van het apparaat overeenkomt met deze van het net,
 - het voedingsnet geschikt is voor het gebruik van dit apparaat, en beschikt over een stopcontact met aarding.
 - of de stekker (indien aanwezig) is aangepast aan het stopcontact.
- In geval van abnormale werking, of bij verspreiding van een ongebruikelijke geur door het apparaat, dit onmiddellijk uitschakelen, de stekker uit het stopcontact verwijderen en contact opnemen met een vakman.
- Maak vóór het uitvoeren van werkzaamheden aan het apparaat dat het spanningsvrij is en buiten bedrijf is gesteld, evenals alle andere apparatuur die er op is aangesloten, en dat de prioriteit verwarming (indien van toepassing) is uitgeschakeld.
- Een apparaat in bedrijf niet loskoppelen en opnieuw aansluiten.
- Niet trekken aan de voedingskabel bij het loskoppelen.
- Indien de voedingskabel beschadigd raakt, moet deze worden vervangen door de fabrikant, zijn servicedienst of een gekwalificeerd technicus, om de veiligheid te garanderen.
- Geen onderhoud of een servicebeurt uitvoeren aan het apparaat met vochtige handen of wanneer het apparaat vochtig is.
- Het klemmenbord of het stopcontact vóór het aansluiten reinigen.
- Voor elke component of subgeheel met een batterij: niet herladen, niet uit elkaar halen, en niet in het vuur gooien. Deze niet blootstellen aan hoge temperaturen of direct zonlicht.
- Haal bij onweerachtig weer de stekker van het apparaat uit het stopcontact om te voorkomen dat dit wordt beschadigd door de bliksem.
- Dompel het apparaat niet onder in water (met uitzondering van de schoonmaakrobots) of modder.

SPECIFIEK VOOR "Schoonmaakrobots voor zwembaden"

- De robot moet werken in zwembadwater met een temperatuur tussen de 15°C en 35°C.
- Laat, om letsel of schade aan de robotstofzuiger te voorkomen, de robot niet werken buiten het water.
- Zwemmen is verboden wanneer de robot in het zwembad aanwezig is, om alle risico's op verwondingen te vermijden.
- Gebruik de robot niet tijdens een chloorbehandeling in het zwembad.
- Laat de robot niet over een langere periode werken zonder toezicht.

WAARSCHUWING BETREFFENDE HET GEBRUIK VAN DEZE ROBOT IN EEN ZWEMBAD MET VINYLBEKLEDING:

- Controleer vóór het installeren van uw nieuwe schoonmaakrobot zorgvuldig de bekleding van uw zwembad. Als de bekleding afbrokkelt op bepaalde plaatsen, of als u grind, rimpels, wortels of corrosie van het metaal bij de onderkant van de bekleding opmerkt, of als u merkt dat de ondersteuning (bodem en wanden) beschadigd is, installeer dan de robot niet voordat de bekleding is gerepareerd of vervangen door een vakman. De fabrikant kan in geen geval aansprakelijk worden gesteld voor de schade aan de bekleding.
- Het oppervlak van sommige vinylbekledingen met motief kan snel slijten en de motieven kunnen verdwijnen in contact met voorwerpen zoals reinigingsborstels, speelgoed, zwembanden, chloordispensers en automatische zwembadreinigers. De motieven van vinyl liner kunnen worden weggeschuurd door normale wrijving bijvoorbeeld van een zwembadborstel. Ook kan de kleur van de motieven verdwijnen bij normaal gebruik of wanneer ze in aanraking komen met voorwerpen in het zwembad. De vervaagde motieven, de slijtage of de krassen van de vinylbekledingen vallen niet onder de aansprakelijkheid van de fabrikant en worden niet gedekt door de beperkte garantie.

Recycling



Dit symbool betekent dat het toestel niet in de vuilbak mag worden gegooid. Het moet selectief worden verwerkt voor hergebruik, recyclage of herstelling. Als het apparaat mogelijk milieugevaarlijke stoffen bevat, dan moeten deze verwijderd of geneutraliseerd worden.

Neem contact op met uw dealer voor de recyclagemogelijkheden.



- Voordat u handelingen op het apparaat uitvoert, is het noodzakelijk kennis te nemen van deze handleiding voor installatie en gebruik, evenals van het boekje "Waarschuwingen en garantie" dat is meegeleverd met het apparaat, om zo schade aan eigendommen, ernstige verwondingen of de dood, en de annulering van de garantie te voorkomen.
- Bewaar deze documenten voor toekomstig gebruik, en geef deze door, gedurende de levensduur van het apparaat.
- Het is verboden dit document te verspreiden of te wijzigen op welke wijze dan ook zonder toestemming van Zodiac®.
- Zodiac® is voortdurend bezig met de ontwikkeling van zijn producten om de kwaliteit te verbeteren, de informatie in dit document is derhalve onderhevig aan wijzigingen zonder voorafgaande kennisgeving.

INHOUDSOPGAVE



1 Kenmerken

3

1.1 | Beschrijving

3

1.2 | Technische eigenschappen en markering

4



2 Installatie

5

2.1 | Inwerkingstelling

5

2.2 | Assemblage van de slangdelen

5

2.3 | Hydraulische aansluitingen

6



3 Gebruik

8

3.1 | Werkingsprincipe

8

3.2 | Het zwembad voorbereiden

8

3.3 | Indienststelling

8

3.4 | Afstelling van het waterdebiet

9

3.5 | Selectie van de zuigmodus: grote of kleine vuildeeltjes (afhankelijk van het model)

10



4 Onderhoud

11

4.1 | Reiniging van het voorfilter van de filterpomp

11

4.2 | Reiniging van de bladvanger "Cyclonic™ Leaf Catcher"

11

4.3 | Het vuil uit de motor verwijderen

12

4.4 | Rupsbanden vervangen

12

4.5 | Opslag en overwintering

13



5 Probleemoplossing

14

5.1 | Gedrag van het apparaat

14



Advies: om het contact met uw dealer te vergemakkelijken

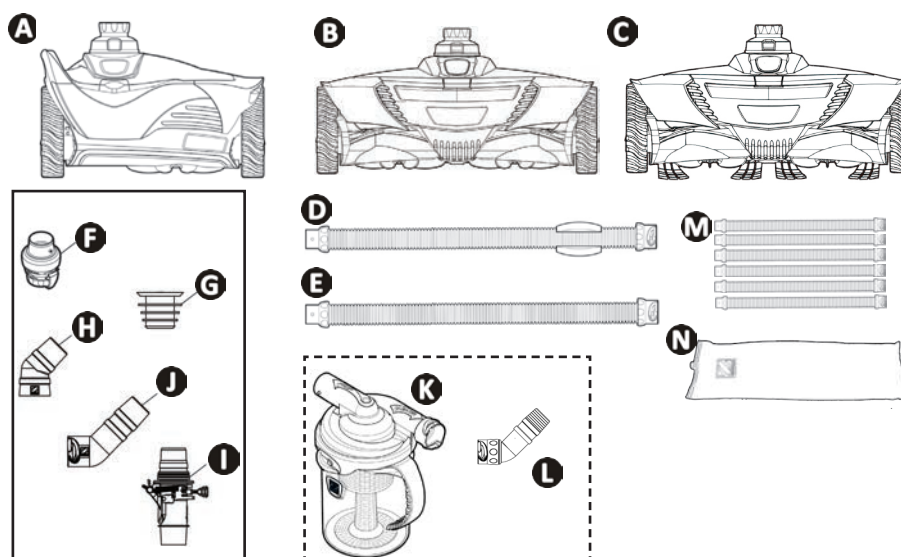
Noteer de contactgegevens van uw dealer om deze gemakkelijk te vinden en vul de productfiche in op de achterkant van de handleiding. Deze informatie is nodig bij het contact met uw dealer.

NL



1 Kenmerken

1.1 | Beschrijving



		MX™ 6 - MX™ 630	MX™ 8	MX™ 8 PRO	MX™ 9
A	Robot	✓			
B			✓	✓	
C					✓
D	Slangdeel Twist Lock van 1 meter met vlotter (x1)	✓	✓	✓	✓
E	Slangdeel Twist Lock van 1 meter	✓ (x9)	✓ (x11)	✓ (x11)	✓ (x11)
F	Debietregelaar	✓	✓	✓	✓
G	Conische adapter	✓	✓	✓	✓
H	Flexibele bocht 45°	✓	✓	✓	✓
I	Automatische debietregelklep	✓	✓	✓	✓
J	Verlengde bocht 45° Twist Lock	✓	✓		✓
K	Bladvanger "Cyclonic™ Leaf Catcher"	+	+	✓	+
L	Draaibare verlengde bocht 45°	+	+	✓	+
M	Set van 6 slangdelen Twist Lock van 1 meter	+	+	+	+
N	Overwinteringszak voor slang	+	+	+	+

✓: Geleverd

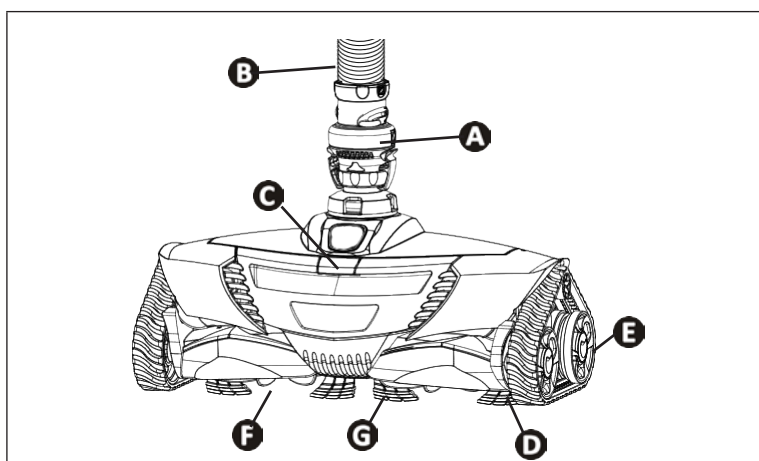
+: Verkrijgbaar als accessoire

➤ 1.2 I Technische eigenschappen en markering

1.2.1 Technische eigenschappen

	MX™ 6 - MX™ 630	MX™ 8	MX™ 8 PRO	MX™ 9
Robotafmetingen (L x D x H)	31 x 19 x 22 cm	41 x 19 x 22 cm		
Afmetingen van de verpakking (L x D x H)	102 x 23 x 37 cm			
Gewicht robot	2,5 kg	3,2 kg		3,4kg
Verpakt gewicht	8,2 kg	9,5 kg	10,5 kg	9,5kg
Theoretisch gereinigde breedte	25 cm	36 cm		
Filtratiecapaciteit	Filtercircuit van het zwembad			
Minimaal vereist vermogen van de filterpomp	3/4 PK			
Verplaatsingsnelheid	8 m/min			

1.2.2 Markering



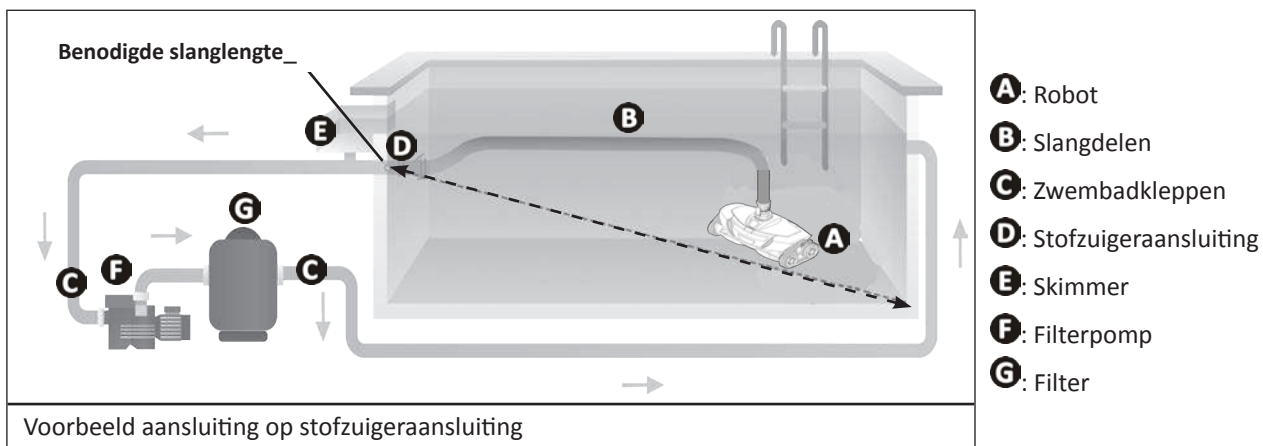
- A**: Debietregelaar
- B**: Slangdeel
- C**: Ontgrendelingsknop klep
- D**: Rupsbanden
- E**: Wielen
- F**: Schroeven
- G**: Borstels (afhankelijk van het model)

NL



2 Installatie

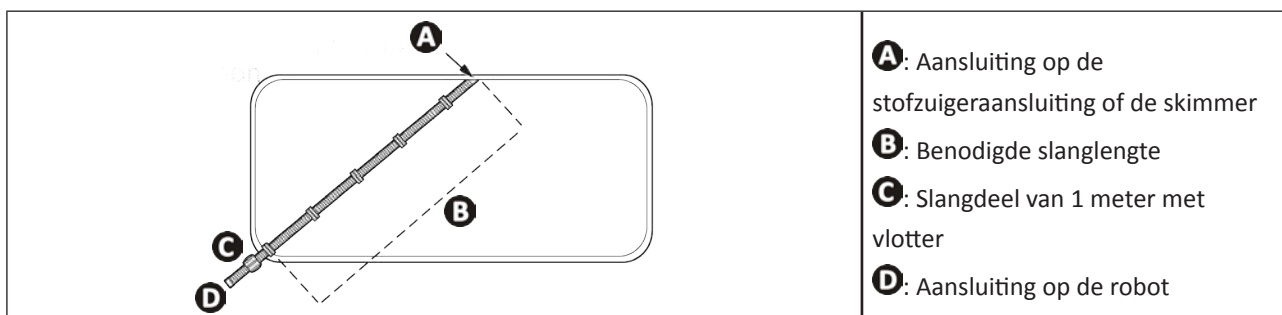
2.1 I Inwerkingstelling



2.2 I Assemblage van de slangdelen

2.2.1 Bepalen van het aantal benodigde delen

- Meet de lengte tussen de stofzuigeraansluiting of de skimmer en het verste punt van het zwembad.
- Voeg nog 1 meter toe aan de gemeten lengte.
- Als de totale lengte meer dan 10 meter (MX™6 - MX™630) of 12 meter (MX™8 - MX™8 PRO - MX™9) is, neem dan contact op met uw dealer om extra slangdelen te kopen.

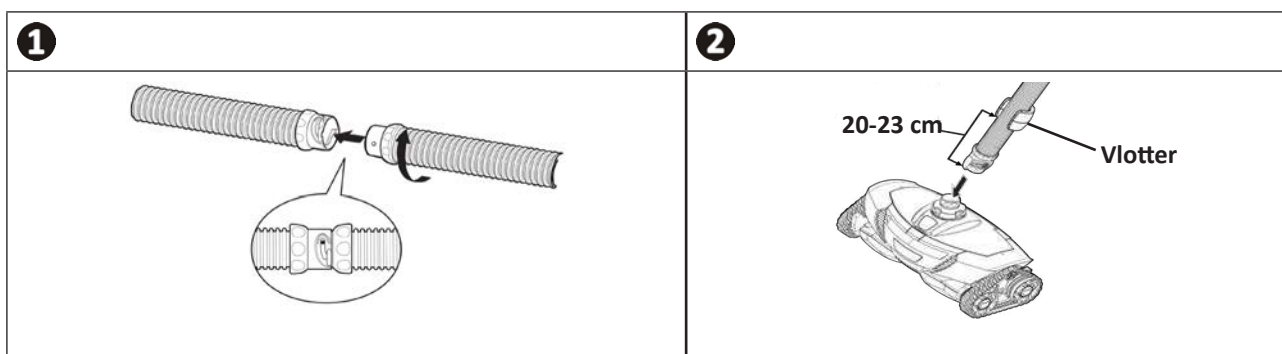


Advies: assembleer het "juiste" aantal slangdelen

Het is niet aan te raden om meer slangdelen te assembleren dan de lengte die nodig is om het hele zwembad te dekken. Een te grote lengte kan de prestaties van de reinigingsrobot beperken.

2.2.2 Assemblage van de Twist Lock slangdelen

- Om twee slangdelen eenvoudig te assembleren met het Twist Lock systeem, steekt u deze gewoon in elkaar en draait u tot de verbindingstukken niet meer verder kunnen, in een van de 3 inkepingen die de waterdichtheid waarborgen (zie afbeelding 1).
- Het slangdeel met de vlotter wordt aangesloten op de robot (zie afbeelding 2). De vlotter moet zich op **20-23 cm van de robot** bevinden (zie afbeelding 2).

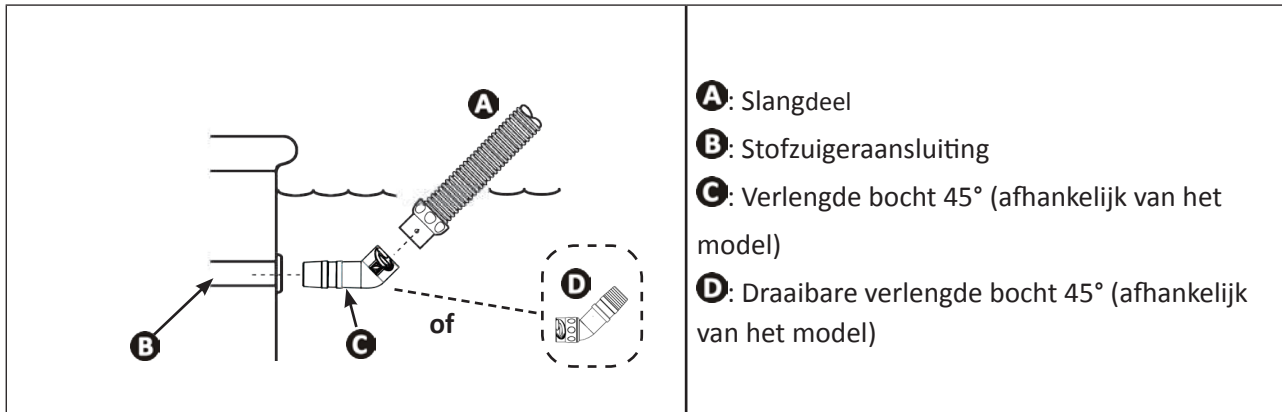


2.3 I Hydraulische aansluitingen



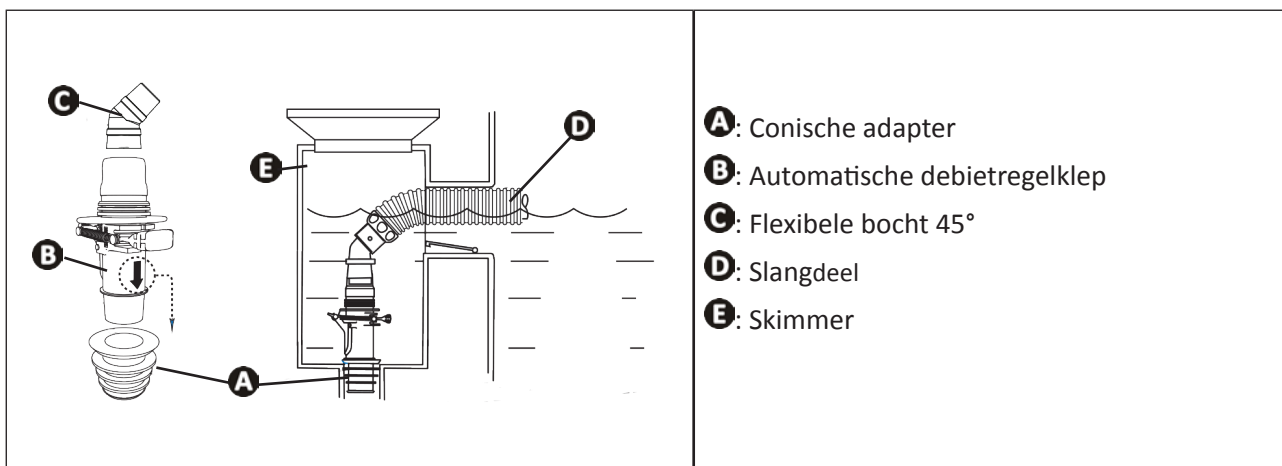
- Schakel de filterpomp uit.
- Reinig de skimmermand, de voorfilter van de filterpomp en de filter indien nodig.

2.3.1 Aansluiting op de stofzuigeraansluiting



2.3.2 Aansluiting op de skimmer

- Als het zwembad meerdere skimmers bevat, sluit de slang dan aan op diegene die zich het dichtst bij de filterpomp bevindt.

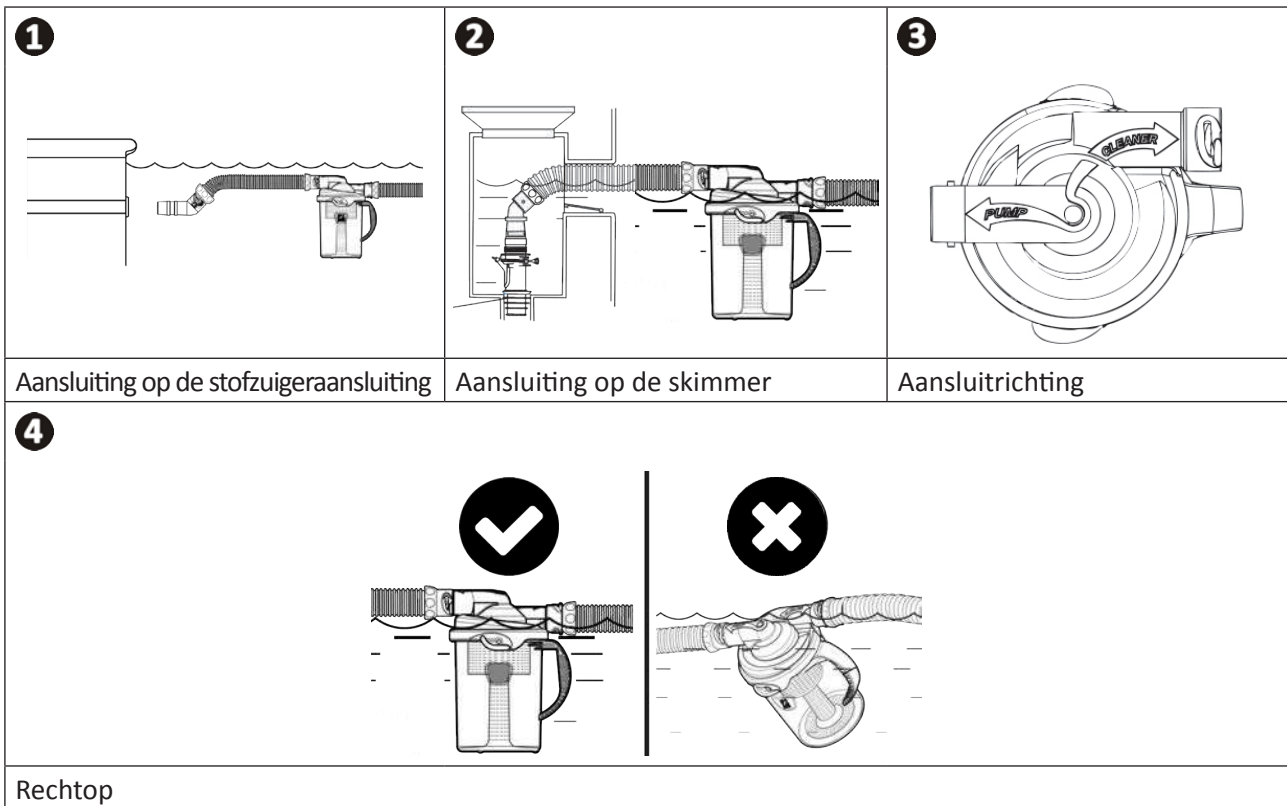


Advies: Bescherm het filtersysteem door dit aan te sluiten op de automatische debietregelklep

Deze klep wordt gebruikt om het debiet te regelen voor optimaal reinigen met de robot, deze is ook zeer nuttig om eventuele vuil dat wordt opgezogen tegen te houden en schade zou kunnen veroorzaken aan de filteruitrusting.

2.3.3 Aansluiten van de bladvanger “Cyclonic™ Leaf Catcher” (afhankelijk van het model)

- Sluit de bladvanger aan op de dichtstbijzijnde stofzuigeraansluiting of de skimmer (zie afbeelding 1 of 2).
- Richt de bladvanger in de volgende richtingen: “PUMP” = filterpompzijde / “CLEANER” = robotzijde (zie afbeelding 3).
- Plaats voor een optimale werking de bladvanger verticaal op het wateroppervlak (zie afbeelding 4).



Advies: Bescherm het filtersysteem door het aansluiten van de bladvanger “Cyclonic™ Leaf Catcher”

De bladvanger helpt het vuil tegen te houden voordat het zal worden meegezogen in het filtratiesysteem, met kans op het beschadigen van de uitrusting op lange termijn. Deze laat ook toe het vuil gemakkelijker te verwijderen dan in de voorfilter van de pomp en heeft het voordeel transparant te zijn om te weten wanneer deze moet worden schoon gemaakt.



3 Gebruik

3.1 I Werkingsprincipe

Hydraulische robots worden aangesloten op het filtersysteem (een stofzuiger- of skimmeraansluiting). Deze maken gebruik van de energie van de filterpomp om een beweging in het zwembad uit te voeren. De capaciteit van de robot om langs de wanden omhoog te klimmen, varieert volgens de vorm van het zwembad en het beschikbare waterdebiet. Het vuil wordt aangezogen door de robot en gevangen in de voorfilter van de filterpomp of in de bladvanger (accessoire meegeleverd of optioneel, afhankelijk van het model).

3.2 I Het zwembad voorbereiden



- Dit product is bedoeld voor gebruik in zwembaden die permanent geïnstalleerd zijn. Gebruik de robot niet in demonteerbare zwembaden. Een permanent zwembad is gebouwd in de bodem of op de grond en kan niet gemakkelijk worden gedemonteerd en opgeslagen.

- Het apparaat moet functioneren in zwembadwater met de volgende kwaliteit:

Watertemperatuur	Tussen 15°C en 35°C
pH	Tussen 6,8 en 7,6
Chloor	< 3 mg/L

- Wanneer het zwembad vuil is, vooral tijdens de eerste ingebruikname van de robot, moet u eerst het grofste vuil verwijderen met een handborstel en een schepnet.
- Verwijder thermometers, speelgoed en andere voorwerpen die het apparaat kunnen beschadigen.
- Wacht na het toevoegen van chemicaliën aan het water minstens 4 uur voordat u de robot in het water laat.
- Controleer of de filtering en de skimmermanden schoon zijn.
- Richt de stuwopeningen naar beneden, als deze afstelling mogelijk is.
- Sluit de afvoeropening op de bodem van uw zwembad af.
- Schakel de filterpomp uit.

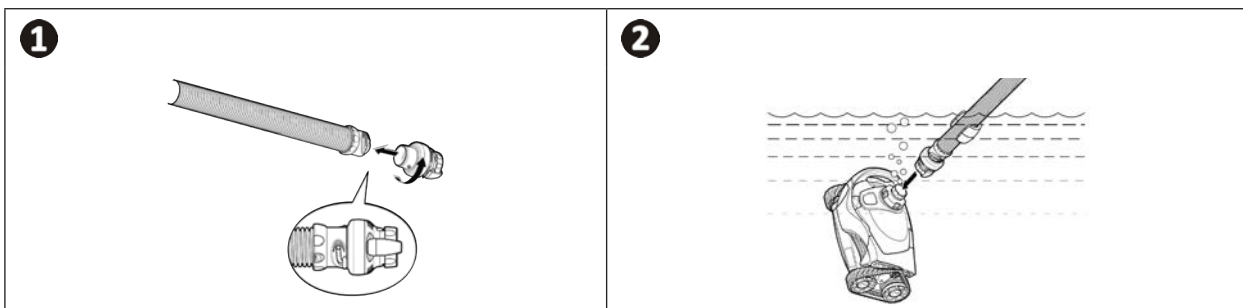
3.3 I Indienstelling



- Om ernstig letsel te vermijden, moet u controleren of de filterpomp gestopt is.
- Vermijd dat uw haar, wijde kleding, sieraden enz. zich voor het uiteinde van de slangopening bevinden.

3.3.1 Aansluiten op de debietregelaar en onderdompeling van de robot

- Sluit het slangdeel met de vlotter aan op de debietregelaar (zie afbeelding 1).
- Dompel de robot onder zodat deze zich met water vult.
- Sluit, wanneer er geen luchtballen meer uit de robot ontsnappen, de slang aan door de debietregelaar op de robot vast te klikken (zie afbeelding 2).
- Laat de robot tot op de bodem van het zwembad zakken.



3.3.2 Vullen van de slangen

- Ontkoppel tijdelijk de slang van de stofzuigeraansluiting of de skimmer.
- De filterpomp starten.
- Vul de waterslang door de opening voor een stuwopening te houden tot de slang volledig met water gevuld is.
- Stop de filterpomp en sluit de slang weer aan op de stofzuigeraansluiting of de skimmer.
- Start de pomp om de robot te doen werken.

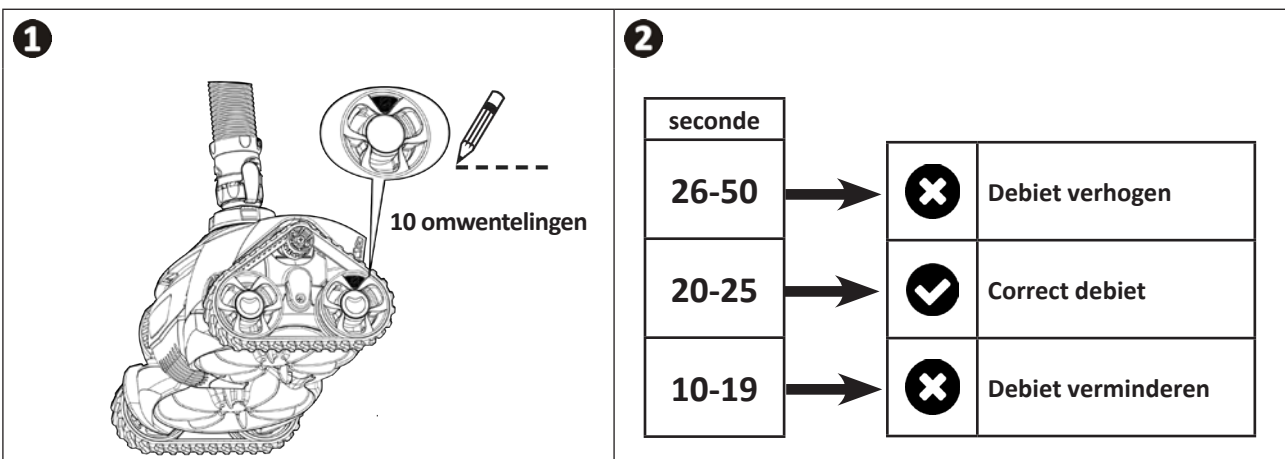
➤ 3.4 I Afstelling van het waterdebiet

- De filterpomp moet in bedrijf zijn.
- Controleer regelmatig het waterdebiet om te zorgen voor een optimale reiniging en om het tegen de wanden omhoog klimmen van de robot te vergemakkelijken.
- De robot is voorzien van een debietregelklep die automatisch debiet regelt van water dat door de robot stroomt. Deze geeft aan of het waterdebiet correct of te sterk is: **GEEL** = debiet correct / **ROOD** = debiet te hoog



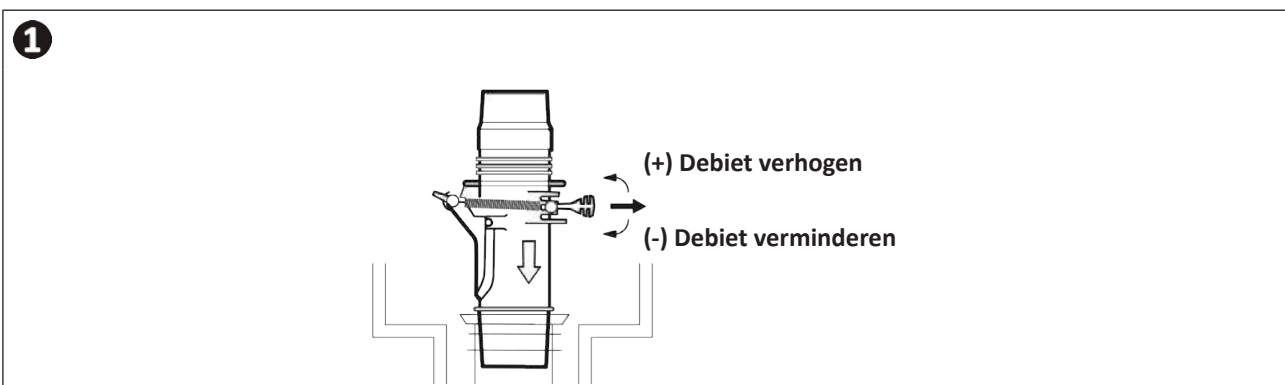
3.4.1 De draaisnelheid van de wielen controleren

- De filterpomp moet in bedrijf zijn.
- Schakel de filterpomp in (zorg voor een chronometer).
- Breng de robot tot vlak onder het wateroppervlak en houd deze ondergedompeld.
- Kijk naar de gele indicator op het rechter achterwiel (zie afbeelding 1).
- Voor MX8 - MX8 PRO - MX9: Wacht totdat de wielen van draairichting veranderen en meet de tijd totdat de wielen 10 omwentelingen gemaakt hebben (zie afbeelding 1).
- Stel het waterdebiet in op basis van de gemeten tijd (zie afbeelding 2).



3.4.2 Het waterdebiet aanpassen

- Pas het waterdebiet aan met behulp van de met het apparaat meegeleverde automatische debietregelklep (zie afbeelding 1), of met de zwembadkleppen.



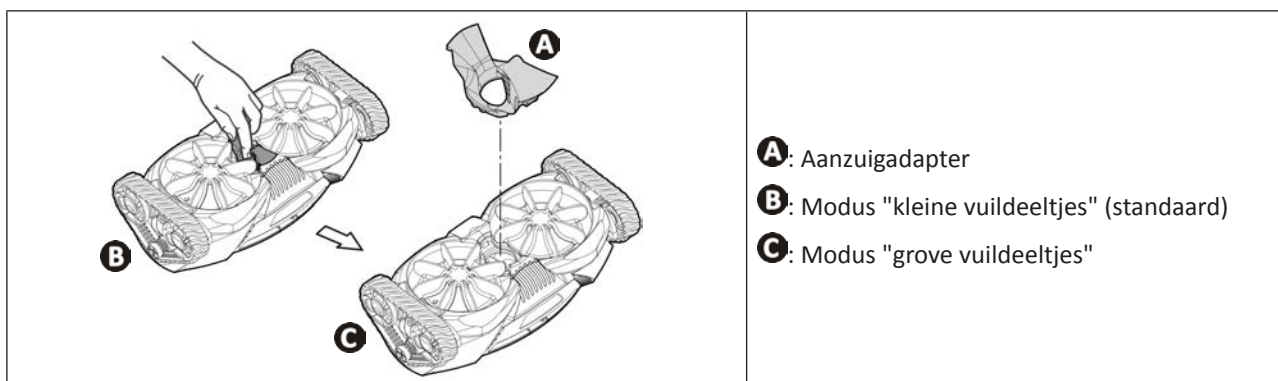
3.5 I Selectie van de zuigmodus: grote of kleine vuildeeltjes (afhankelijk van het model)



Vóór het begin van deze operatie en om ernstige verwondingen te voorkomen:

- Schakel de filterpomp uit.
- Ontkoppel de robot van de buis.

- De robot heeft een afzuigadapter, deze bevindt zich onder de robot.
- De adapter laat toe de zuigkracht aan te passen volgens het op te zuigen type vuildeeltjes: **Modus "kleine vuildeeltjes"** (kleine vuildeeltjes of zware, zoals zand, slib en kiezels), **modus "grote vuildeeltjes"** (bladeren).
- **Om over te gaan op de modus "grote vuildeeltjes"**: verwijder de adapter door er een vinger in te steken en de rand aan de achterkant op te tillen.
- **Om terug te keren naar de aanzuigmodus "kleine vuildeeltjes"**: Druk op de randen voor en achter van de adapter om deze vast te klikken.



Advies: Gebruik bij voorkeur de modus "kleine vuildeeltjes" in het badseizoen

Wanneer het zwembad regelmatig wordt schoongemaakt, wordt aanbevolen dat aanzuigadapter in te stellen op de modus "kleine vuildeeltjes".



4 Onderhoud

- Het apparaat moet regelmatig worden gereinigd met schoon water of zeepsop. Gebruik geen oplosmiddelen.
- Spoel het apparaat af met veel schoon water.
- Berg de robot nooit op een plaats in de volle zon op. Berg de slangen plat op en rol ze niet op, om de oorspronkelijke vorm hiervan te behouden.

4.1 | Reiniging van het voorfilter van de filterpomp

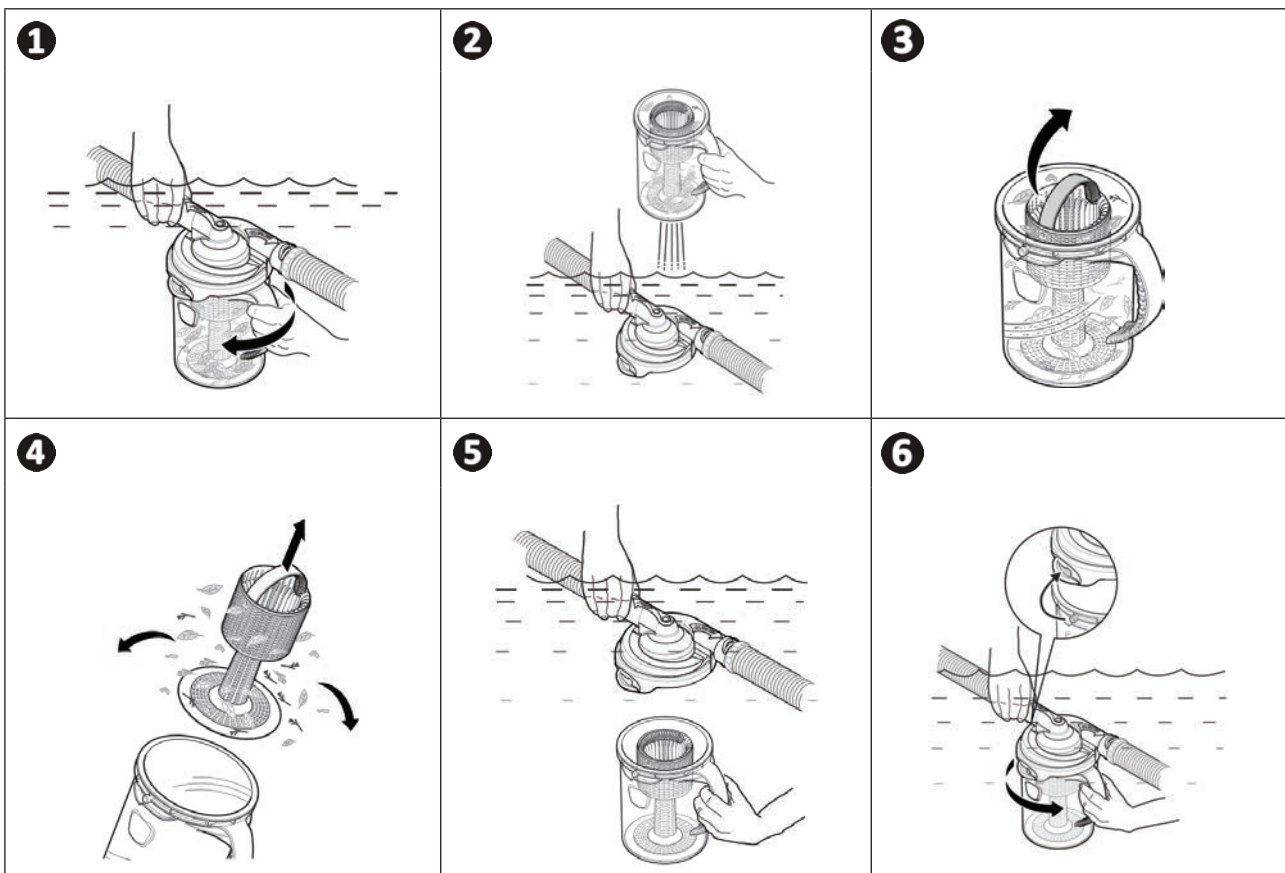


- Verwijder altijd de robot uit het zwembad vóór het reinigen of zuiveren van het filtersysteem.
- Start, na reiniging (en voordat de robot terug in het water wordt gezet), de filterpomp gedurende minstens 5 minuten om het circuit te ontlichten.

- Met het oog op een maximale efficiëntie van de robot, moet u de voorfilter van de pomp geregeld reinigen door het vuil hieruit te verwijderen.
- Het gebruik van de bladvanger (meegeleverd of optioneel toebehoren, afhankelijk van het model) wordt aanbevolen om grover vuildeeltjes te verzamelen vóór de binnenkomst in de skimmer en de voorfilter.

4.2 | Reiniging van de bladvanger "Cyclonic™ Leaf Catcher"

- Schakel de filterpomp uit.
- Houd de bladvanger onder water en neem de handgreep vast. Draai de transparante bak met behulp van de handgreep totdat deze loskomt (zie afbeelding 1).
- Haal de transparante bak uit het water, houd het deksel en de slangen onder water (zie afbeelding 2).
- Verwijder de filter met behulp van de handgreep van de bovenzijde (zie afbeelding 3).
- Verwijder het vuil en spoel de transparante bak af met schoon water (zie afbeelding 4).
- Plaats de filter terug en dompel de bladvanger opnieuw onder water (zie afbeelding 5).
- Zet de transparante bak goed terug op de inkepingen van het deksel en draai deze vervolgens stevig aan om de 2 delen vast te klikken (zie afbeelding 6).



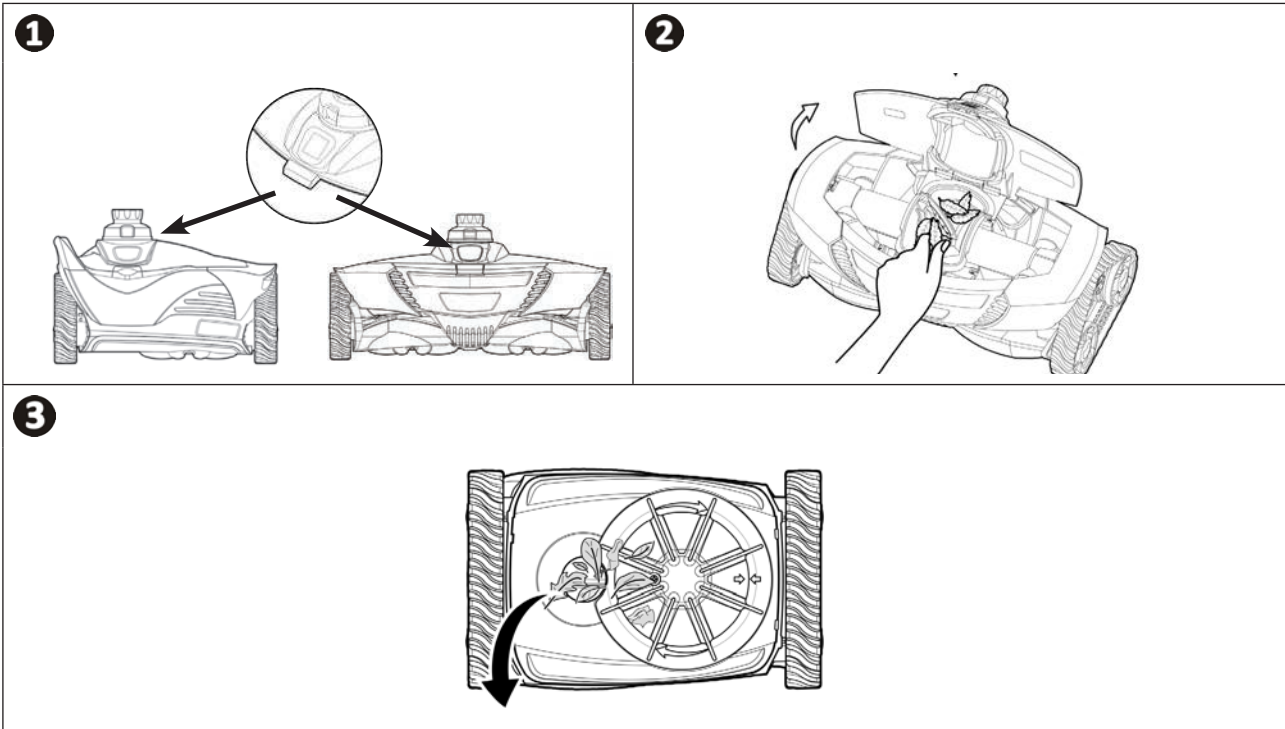
4.3 I Het vuil uit de motor verwijderen



Vóór het begin van deze operatie en om ernstige verwondingen te voorkomen:

- Schakel de filterpomp uit.
- Ontkoppel de robot van de buis.

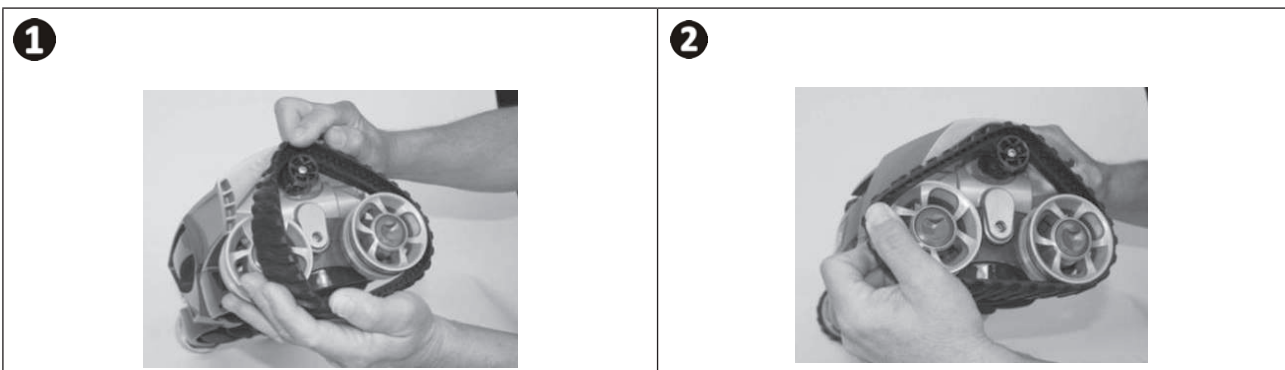
- Druk op de knop bovenaan en til de klep op (zie afbeelding 1).
- Verwijder het vuil aan de binnenkant (zie afbeelding 2) en onder de robot (zie afbeelding 3).
- Duw, indien nodig, de schoepen van de motor naar voren en naar achteren om de vastzittende vuildeeltjes los te maken en te verwijderen. Als u de schoepen verplaatst, controleer dan of de rupsbanden van de motor vrij draaien en correct gesynchroniseerd zijn met de beweging van de schoepen onder de robot.
- Verwijder ook vuil dat in de zuigmond vast zou kunnen zitten.
- Sluit de klep van de robot en controleer of deze goed vergrendeld is.



NL

4.4 I Rupsbanden vervangen

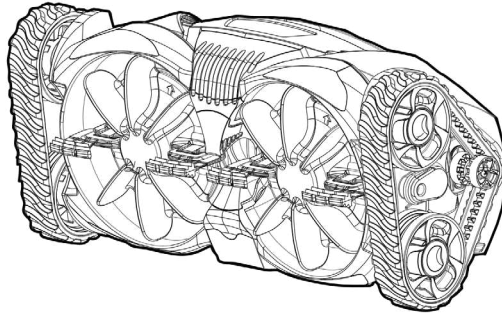
- Plaats de robot op een kant.
- Begin aan een van de wielen, trek aan de binnenkant van de rupsband om deze van het wiel te scheiden (zie afbeelding 1). Verwijder de rupsband vervolgens van de robot.
- Om de nieuwe rupsband aan te brengen, breng de binnenkant van de rupsband aan over de groeven van het kleine wiel en op een van de grote wielen.
- Trek de rupsband over het laatste wiel (zie afbeelding 2). Druk de rupsband aan om deze goed op de groeven van de wielen te plaatsen. Controleer of de rupsband onder de geleider loopt.



➤ 4.5 I Opslag en overwintering

- Verwijder voor de overwintering al het water uit de robot (vorstschade wordt niet gedekt door de garantie).
- Reinig het hele apparaat en de slangen met schoon water en laat alles vervolgens drogen.
- Bewaar ze op een droge, vorstvrije plaats. Plaats de robot op zijn zijkant of achterkant, om de turbine niet te beschadigen (zie afbeelding 1).
- Verwijder alle verbindingstukken en adapters van de stofzuigeraansluiting of de skimmer.

1



Advies: Houd tijdens de opslag de slangen in goede staat

Als de robot wordt opgeborgen, zelfs voor korte perioden, vermijd dan om de slangen op te rollen: deze kunnen een vorm aannemen die de prestaties van de robot nadelig kan beïnvloeden.



5 Probleemoplossing



- Wij verzoeken u om, voordat u contact opneemt met uw dealer in geval van storing, aan de hand van de volgende tabellen, eenvoudige controles uit te voeren.
- Als het probleem aanhoudt, neem dan contact op met uw dealer.

5.1 I Gedrag van het apparaat

De robot beweegt niet of zeer traag.	<ul style="list-style-type: none"> • Controleer of de afvoeropening op de bodem goed gesloten is. • Reinig en ledig de manden van de skimmers en de voorfilter van de pomp. • Controleer de zone van de motor en verwijder al het zichtbare vuil (zie § “4.3 I Het vuil uit de motor verwijderen”). • Verwijder de aanzuigadapter op de robot (zie § “3.5 I Selectie van de zuigmodus: grote of kleine vuildeeltjes (afhankelijk van het model)”). • Controleer het debiet (zie § “3.4 I Afstelling van het waterdebiet”). • Zet de pomp in werking en controleer of er zicht geen lucht in het filtercircuit bevindt. Als de voorfilter van de filterpomp gevuld is met luchtbellen en/of het waterniveau laag is, betekent dit dat er zich lucht in het filtercircuit bevindt. Als er lucht is, is dit ook te zien aan het waterdebiet bij de uitgang van de stuwopeningen. Er kan lucht in het filtercircuit terecht komen vanuit het aanzuiggedeelte van de pomp (inclusief de aanwezigheid van gaten of scheurtjes op een van de slangdelen). • Controleer of de bekleding van het zwembad niet bedekt is met algen die het oppervlak glad maken en de trekkracht en het tegen de wand op klimmen van de robot beïnvloeden. Ga in dat geval over tot een chloorshockbehandeling en verlaag de pH enigszins.
De robot verplaatst zich niet over het hele zwembad.	<ul style="list-style-type: none"> • Controleer het debiet (zie § “3.4 I Afstelling van het waterdebiet”). • Richt de stuwopeningen naar beneden, als deze afstelling mogelijk is. • Controleer of er lussen in de slang zitten. Als de slang een bepaalde lusvorm heeft aangenomen, schakel dan de reinigingsrobot uit en verwijder de betreffende slangdelen. Leg de slangdelen met de lussen plat in de zon, totdat deze delen weer de juiste vorm hebben aangenomen. Plaats de slangdelen terug op de reinigingsrobot. • Controleer of de slang lang genoeg is (zie § “2.2 I Assemblage van de slangdelen”). Voeg in het andere geval de benodigde slangdelen. • Controleer of het slangdeel met vlotter correct geplaatst is (zie § “2.2 I Assemblage van de slangdelen”). • Observeer de robot gedurende vijf minuten en controleer of iedere rupsband geregeld van richting verandert.
De robot blokkeert op de trappen.	<ul style="list-style-type: none"> • Controleer of de draaiende afdichting aan de bovenkant van de robot vrij draait. • Test het debiet door de draaisnelheid van de wielen te controleren (zie § “3.4.1 De draaisnelheid van de wielen controleren”). • Controleer of de slang niet te lang is (zie § “2.2 I Assemblage van de slangdelen”). Verkort in het tegenovergestelde geval de slang door een of meerdere delen te verwijderen.
De robot klimt niet tegen de wanden omhoog.	<ul style="list-style-type: none"> • Controleer het debiet (zie § “3.4 I Afstelling van het waterdebiet”) en verhoog dit, indien nodig (zie § “3.4.2 Het waterdebiet aanpassen”). • Controleer of de vlotter van de slang correct geplaatst is (zie § “2.2 I Assemblage van de slangdelen”). • Controleer of de muren niet glad zijn (aanwezigheid van algen).
De robot komt boven de waterlijn.	<ul style="list-style-type: none"> • Verminder het debiet (zie § “3.4.2 Het waterdebiet aanpassen”). • Controleer of de vlotter van de slang correct geplaatst is (zie § “2.2 I Assemblage van de slangdelen”).
De robot bevindt zich op de zijkant.	<ul style="list-style-type: none"> • Controleer of de vlotter van de slang correct geplaatst is (zie § “2.2 I Assemblage van de slangdelen”).

Votre revendeur
Your retailer

Modèle appareil
Appliance model

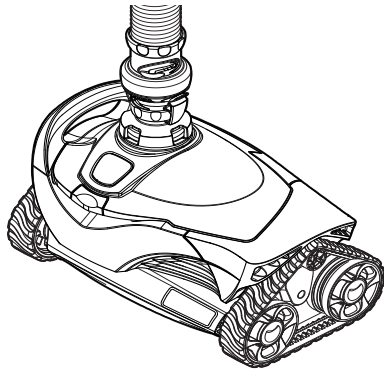
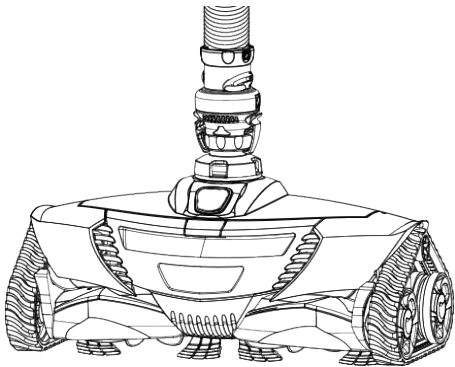
Numéro de série
Serial number

Trouvez plus d'informations et enregistrez votre produit sur
More informations and register your product on

www.zodiac.com



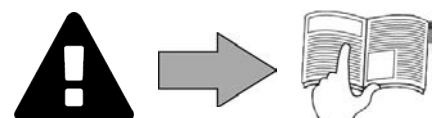
MX6™
MX630™
MX8™
MX8™ PRO
MX9™



Montage- und Gebrauchsanleitung - Deutsch
Hydraulischer Reiniger
Übersetzung der französischen Originalanleitung

DE

More documents on:
www.zodiac.com



WARNHINWEISE

ALLGEMEINE WARNHINWEISE

- Durch die Nichteinhaltung der Warnhinweise können die Geräte im Schwimmbad beschädigt oder schwere bis tödliche Verletzungen verursacht werden.
- Nur ein qualifizierter Fachmann in den betreffenden technischen Bereichen (Elektrik, Hydraulik, Kältetechnik) ist befugt, diese Prozedur auszuführen. Der qualifizierte Techniker muss beim Eingriff am Gerät eine persönliche Schutzausrüstung (z. B. Schutzbrille, Schutzhandschuhe usw.) tragen, damit jede mit dem Eingriff am Gerät verbundene Verletzungsgefahr vermieden wird.
- Vor jedem Eingriff am Gerät muss dieses von der Stromversorgung getrennt und gegen ungewollte Einschaltung gesichert werden.
- Das Gerät ist für einen ganz bestimmten Zweck für Schwimmb Becken und Spas ausgelegt. Der Gebrauch für einen anderen als den vorgesehenen Zweck ist nicht zulässig.
- Es ist wichtig, dass das Gerät von kompetenten und (körperlich und geistig) fähigen Personen gehandhabt wird, die zuvor eine Einweisung in den Gebrauch erhalten haben. Wer diese Kriterien nicht erfüllt, sollte keinen Zugang zum Gerät haben, um jedes Risiko von Sach- oder Personenschäden bis hin zum Tod zu vermeiden.
- Das Gerät muss außerhalb der Reichweite von Kindern aufgestellt werden.
- Die Installation des Geräts ist gemäß den Anweisungen des Herstellers sowie unter Einhaltung der geltenden lokalen und nationalen Normen durchzuführen. Der Installateur ist für die Installation des Gerätes und für die Einhaltung der nationalen Vorschriften hinsichtlich der Installation verantwortlich. Der Hersteller übernimmt keine Haftung im Fall einer Nichteinhaltung der geltenden nationalen Installationsnormen.
- Mit Ausnahme der in dieser Anleitung beschriebenen einfachen Wartung durch den Benutzer muss das Produkt durch einen qualifizierten Fachmann gewartet werden.
- Eine falsche Installation und/oder ein unsachgemäßer Gebrauch kann zu Sachschäden und schweren Körperverletzungen, ja sogar zum Tod führen.
- Der Transport jeglichen Materials, auch ohne Porto- und Verpackungsgebühren, erfolgt auf Gefahr des Empfängers. Dieser muss eventuell festgestellte Transportschäden schriftlich auf dem Lieferschein des Transporteurs vermerken (Bestätigung innerhalb von 48 Stunden per Einschreiben an den Transporteur). Wenn ein Gerät, das Kältemittel enthält, umgefallen ist, Vorbehalte sofort schriftlich beim Spediteur melden.
- Versuchen Sie im Fall einer Störung des Gerätes nicht, das Gerät selbst zu reparieren, sondern nehmen Sie mit einem qualifizierten Techniker Kontakt auf.
- Die zulässigen Gleichgewichtswerte des Wassers für den Betrieb des Gerätes können den Garantiebedingungen entnommen werden.
- Eine jede Deaktivierung, Entfernung oder Umgehung eines der in das Gerät integrierten Sicherheitselemente führt automatisch zu einer Aufhebung der Garantie; das gleiche gilt für die Verwendung von Ersatzteilen eines nicht zugelassenen Drittlieferanten.
- Es darf kein Insektizid oder anderes (entzündbares oder nicht entzündbares) chemisches Produkt auf das Gerät gesprüht werden, weil dadurch das Gehäuse beschädigt und ein Brand ausgelöst werden kann.
- Zodiac®-Geräte wie Wärmepumpen, Filterpumpen und Filter sind mit den meisten Wasserbehandlungssystemen für Schwimmbäder kompatibel.
- Der Ventilator und die beweglichen Teile dürfen während des Betriebs des Gerätes nicht berührt werden und es dürfen keine langen Gegenstände oder Finger in die Nähe der beweglichen Teile gelangen. Die beweglichen Teile können schwere und sogar tödliche Verletzungen verursachen.

WARNMELDUNGEN IN ZUSAMMENHANG MIT ELEKTRISCHEN GERÄTEN

- Die Stromversorgung des Gerätes muss durch eine eigene Fehlerstromschutzeinrichtung von 30 mA gemäß den am Installationsort geltenden Normen geschützt werden.
- Zum Anschluss des Gerätes kein Verlängerungskabel verwenden; es direkt an einen passenden Versorgungsstromkreis anschließen.
- Vor jeder Nutzung ist Folgendes zu prüfen:
 - Die auf dem Typenschild des Gerätes angegebene Spannung stimmt mit der Netzspannung überein.
 - Das Stromnetz ist für die Nutzung des Gerätes geeignet und es verfügt über einen Erdungsanschluss.
 - Der Netzstecker passt (ggf.) in die Steckdose.
- Wenn das Gerät nicht richtig funktioniert oder wenn es ungewohnte Gerüche freisetzt, schalten Sie das Gerät sofort aus, ziehen Sie den Stecker und wenden Sie sich an einen Fachmann.
- Vor einem Eingriff an dem Gerät muss sichergestellt werden, dass das Gerät sowie alle an das Gerät angeschlossenen Ausrüstungen spannungsfrei geschaltet wurden und dass die Heizungspriorität (ggf.) deaktiviert wurde.
- Das Gerät darf während des Betriebs nicht vom Stromnetz getrennt und wieder angeschlossen werden.
- Zum Ziehen des Steckers darf nicht am Stromkabel gezogen werden.
- Wenn das Stromkabel beschädigt ist, muss es zur Gewährleistung der Sicherheit vom Hersteller, von seinem Wartungsdienst oder von einem anderen qualifizierten Fachmann ersetzt werden.
- Keine Wartungs- oder Instandsetzungsarbeiten mit feuchten Händen oder an einem feuchten Gerät durchführen.
- Vor dem Anschließen muss die Klemmleiste oder die Steckdose gereinigt werden.
- Für jedes Element oder jede Baugruppe, die eine Batterie enthält: Laden Sie die Batterie nicht auf, nehmen Sie sie nicht auseinander, werfen Sie sie nicht ins Feuer. Setzen Sie sie nicht hohen Temperaturen oder der direkten Sonneneinstrahlung aus.
- Bei Gewitter muss das Gerät von der Stromversorgung getrennt werden, um eine Beschädigung durch Blitzeinschlag zu vermeiden.
- Das Gerät darf nicht in Wasser (mit Ausnahme von Reinigern) oder Schlamm getaucht werden.

BESONDERHEITEN BEI „Schwimmb Beckenreinigern“

- Der Reiniger muss in einem Schwimmb Beckenwasser betrieben werden, das eine Temperatur zwischen 15°C und 35°C aufweist.
- Um jede Gefahr einer Verletzung oder einer Beschädigung des Reinigers zu vermeiden, darf der Reiniger nicht ohne Wasser betrieben werden.
- Um jede Gefahr einer Verletzung zu vermeiden, darf das Schwimmb Becken nicht benutzt werden, solange sich der Reiniger darin befindet.
- Der Reiniger darf nicht verwendet werden, während eine Schockchlorung im Schwimmb Becken durchgeführt wird.
- Lassen Sie den Reiniger nicht längere Zeit unbeaufsichtigt.

WARNHINWEIS HINSICHTLICH DER VERWENDUNG EINES REINIGERS IN EINEM SCHWIMMBECKEN MIT VINYLVERKLEIDUNG

- Bevor Sie den neuen Reiniger installieren, prüfen Sie gründlich die Beckenverkleidung. Wenn die Auskleidung stellenweise abblättert oder wenn Sie Kies, Falten, Wurzeln oder Korrosion aufgrund von Metall auf der Innenseite der Auskleidung feststellen oder wenn Sie bemerken, dass der Untergrund (Boden und Wände) beschädigt ist, müssen Sie zuerst die nötigen Reparaturen durchführen lassen oder die Auskleidung durch einen qualifizierten Fachmann austauschen lassen. Der Hersteller übernimmt keine Haftung für Schäden an der Auskleidung.
- Die Oberfläche bestimmter Dekor-Vinylverkleidungen kann sich schnell abnutzen und die Dekormuster können beim Kontakt mit Objekten wie Reinigungsbürsten, Spielzeug, Bojen, Chlorverteiler und automatischem Beckenreiniger abgetragen werden. Die Dekormuster bestimmter Vinylverkleidungen können durch einfache Reibung, z. B. mit einer Beckenbürste, zerkratzt oder abgenutzt werden. Die Farben bestimmter Dekormuster können ebenfalls bei der Nutzung oder bei Berührung mit im Schwimmb Becken vorhandenen Gegenständen abgetragen werden. Für abgetragene Dekormuster, abgenutzte oder zerkratzte Vinylverkleidungen übernimmt der Hersteller keine Haftung und die beschränkte Garantie gilt nicht in diesen Fällen.

Recycling



Dieses Symbol bedeutet, dass Sie Ihr Gerät nicht mit dem Haushaltsmüll entsorgen dürfen. Es muss getrennt gesammelt werden, damit es wiederverwendet, recycelt oder verwertet werden kann. Wenn es potenziell umweltgefährdende Stoffe enthält, müssen diese entsorgt oder neutralisiert werden.

Informieren Sie sich bei Ihrem Händler über die Recyclingmodalitäten.



- Vor jedem Eingriff am Gerät müssen diese Installations- und Gebrauchsanweisung sowie das mit dem Gerät gelieferte Handbuch „Sicherheit und Garantie“ unbedingt gelesen werden, sonst kann es zu Sachschäden, schweren und sogar tödlichen Verletzungen und zum Erlöschen der Garantiesprüche kommen.
- Diese Dokumente müssen während der gesamten Lebensdauer des Gerätes zum späteren Nachschlagen aufbewahrt und immer mit dem Gerät weitergegeben werden.
- Es ist verboten, dieses Dokument ohne die Genehmigung von Zodiac® mit jeglichen Mitteln zu verbreiten oder zu ändern.
- Zodiac® entwickelt seine Produkte ständig weiter, um ihre Qualität zu verbessern. Daher können die in diesem Dokument enthaltenen Informationen ohne vorherige Ankündigung geändert werden.

INHALT



1 Kenndaten

3

1.1 | Beschreibung

3

1.2 | Technische Daten und Kennzeichnung

4



2 Installation

5

2.1 | Praktische Bedingungen

5

2.2 | Zusammenbau der Schlauchstücke

5

2.3 | Hydraulische Anschlüsse

6



3 Bedienung

8

3.1 | Funktionsweise

8

3.2 | Vorbereitung des Schwimmbeckens

8

3.3 | Inbetriebnahme

8

3.4 | Einstellung des Wasserdurchflusses

9

3.5 | Auswahl des Saugmodus: kleine oder große Verschmutzungen (je nach Modell)

10



4 Instandhaltung

11

4.1 | Reinigung des Vorfilters der Filterpumpe

11

4.2 | Reinigung des Laubfängers „Cyclonic™ Leaf Catcher“

11

4.3 | Entfernen der Verschmutzungen aus dem Motor

12

4.4 | Ersetzen der Raupenbänder

12

4.5 | Lagerung und Einwinterung

13



5 Problembehebung

14

5.1 | Verhaltensweisen des Gerätes

14



Hinweis: um den Kontakt mit Ihrem Händler zu erleichtern

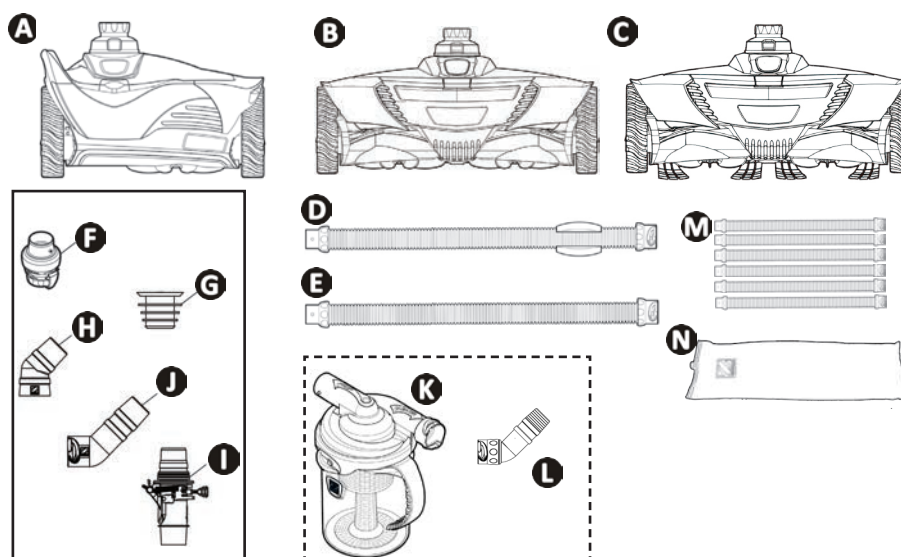
Notieren Sie die Kontaktdaten Ihres Händlers, um sie leichter wiederzufinden, und tragen Sie die „Produktinformationen“ auf der Rückseite der Installations- und Gebrauchsanweisung ein. Ihr Händler wird Sie nach diesen Informationen fragen.

DE



1 Kenndaten

1.1 | Beschreibung



		MX™ 6 - MX™ 630	MX™ 8	MX™ 8 PRO	MX™ 9
A	Reiniger	✓			
B			✓	✓	
C					✓
D	1 Meter langes Schlauchstück Twist Lock mit Schwimmer (x1)	✓	✓	✓	✓
E	1 Meter langes Schlauchstück Twist Lock	✓ (x9)	✓ (x11)	✓ (x11)	✓ (x11)
F	Durchflussregler	✓	✓	✓	✓
G	Kegeladapter	✓	✓	✓	✓
H	Biegsames Winkelstück 45°	✓	✓	✓	✓
I	Automatisches Durchflussregelventil	✓	✓	✓	✓
J	Verlängertes Winkelstück 45° Twist Lock	✓	✓		✓
K	Laubfänger „Cyclonic™ Leaf Catcher“	+	+	✓	+
L	Verlängertes drehbares Winkelstück 45°	+	+	✓	+
M	Satz von sechs 1 Meter langen Schlauchstücken Twist Lock	+	+	+	+
N	Einwinterungstasche für Schläuche	+	+	+	+

✓ : Mitgeliefert

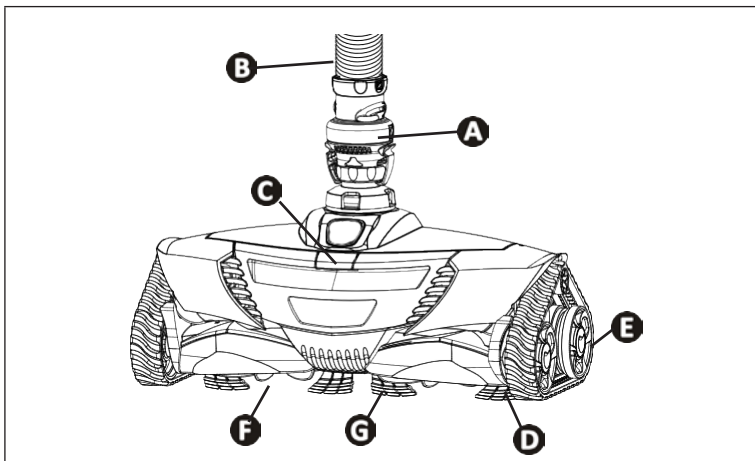
⊕ : Als Option verfügbar

➤ 1.2 I Technische Daten und Kennzeichnung

1.2.1 Technische Daten

	MX™ 6 - MX™ 630	MX™ 8	MX™ 8 PRO	MX™ 9
Abmessungen des Reinigers (B x T x H)	31 x 19 x 22 cm	41 x 19 x 22 cm		
Abmessungen der Verpackung (B x T x H)	102 x 23 x 37 cm			
Gewicht des Reinigers	2,5 kg	3,2 kg		3,4kg
Gewicht mit Verpackung	8,2 kg	9,5 kg	10,5 kg	9,5kg
Theoretische Reinigungsbreite	25 cm	36 cm		
Filterkapazität	Filterkreislauf des Schwimmbeckens			
Geforderte Mindestleistung der Filterpumpe	3/4 PS			
Fahrgeschwindigkeit	8 m/min			

1.2.2 Kennzeichnung



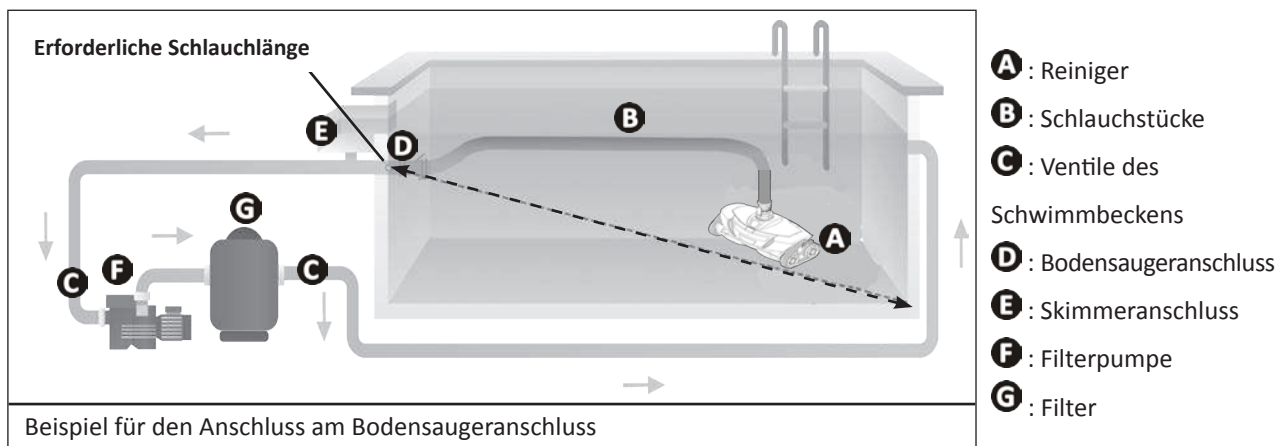
- A** : Durchflussregler
- B** : Schlauchstück
- C** : Taste zum Öffnen der Haube
- D** : Raupenbänder
- E** : Räder
- F** : Propeller
- G** : Bürsten (je nach Modell)

DE



2 Installation

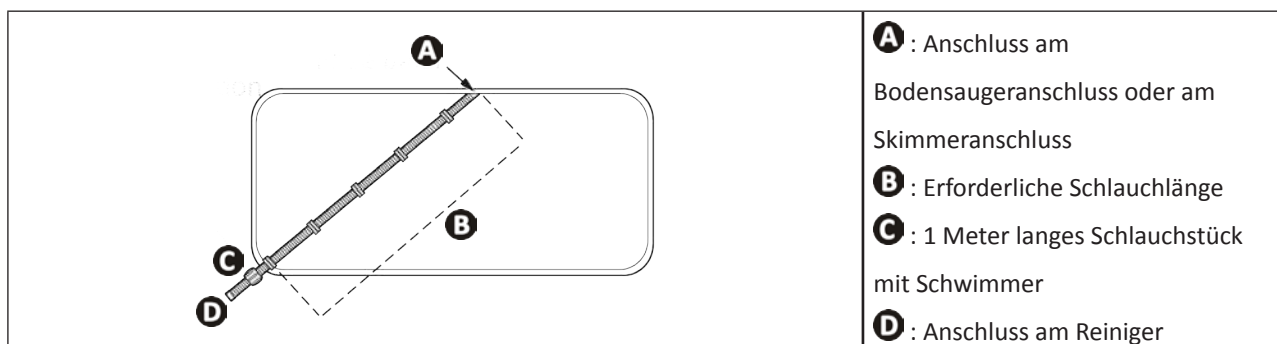
2.1 I Praktische Bedingungen



2.2 I Zusammenbau der Schlauchstücke

2.2.1 Bestimmung der nötigen Anzahl von Schlauchstücken

- Die Länge zwischen dem Bodensaugeranschluss bzw. Skimmeranschluss und dem am weitesten entfernten Punkt des Schwimmbeckens messen.
- Einen zusätzlichen Meter zur gemessenen Länge hinzufügen.
- Wenn die Gesamtlänge mehr als 10 Meter (MXTM6 - MXTM630) bzw. 12 Meter beträgt (MXTM8 - MXTM8 PRO - MXTM9), wenden Sie sich an Ihren Händler, um zusätzliche Schlauchstücke zu kaufen.

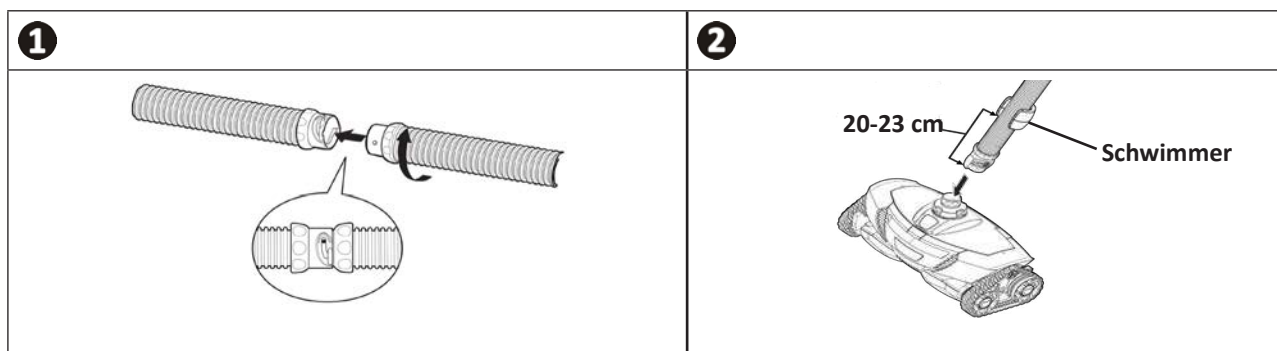


Hinweis: Die „richtige“ Menge an Schlauchstücken zusammenbauen.

Es wird empfohlen, nicht mehr Schlauchstücke zusammenzubauen als die nötige Länge, um das gesamte Schwimmbecken abzudecken. Durch eine zu große Länge kann die Reinigungsleistung des Reinigers beeinträchtigt werden.

2.2.2 Zusammenbau der Schlauchstücke Twist Lock

- Um zwei Schlauchstücke dank des Twist Lock-Systems leicht zusammenzufügen, stecken Sie sie ineinander und drehen Sie sie anschließend, bis die Verbinder maximal am Anschlag sind, in einer der 3 Rasten, die die Dichtigkeit gewährleisten (siehe Abbildung 1).
- Das Schlauchstück mit Schwimmer wird am Reiniger angeschlossen (siehe Abbildung 2). Der Schwimmer muss sich in einem Abstand von **20-23 cm vom Reiniger** befinden (siehe Abbildung 2).

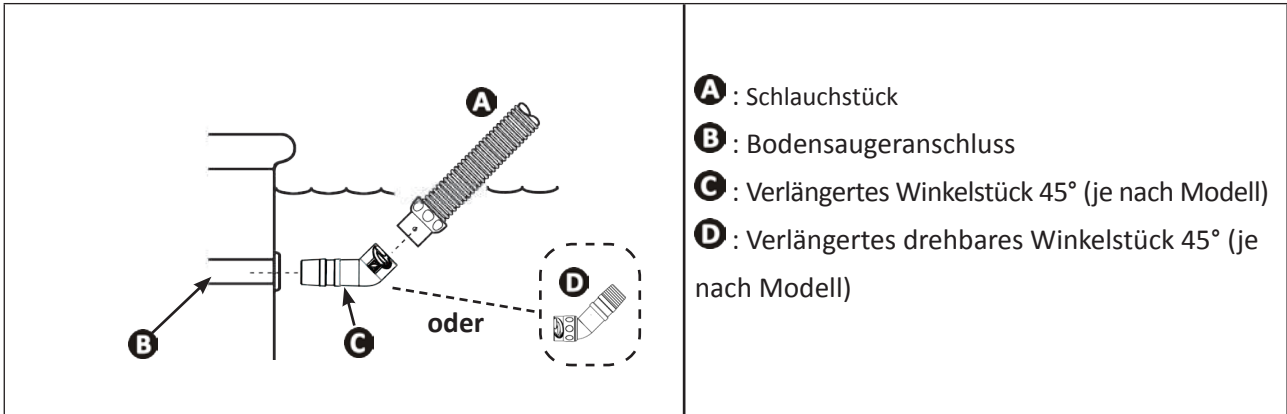


2.3 I Hydraulische Anschlüsse



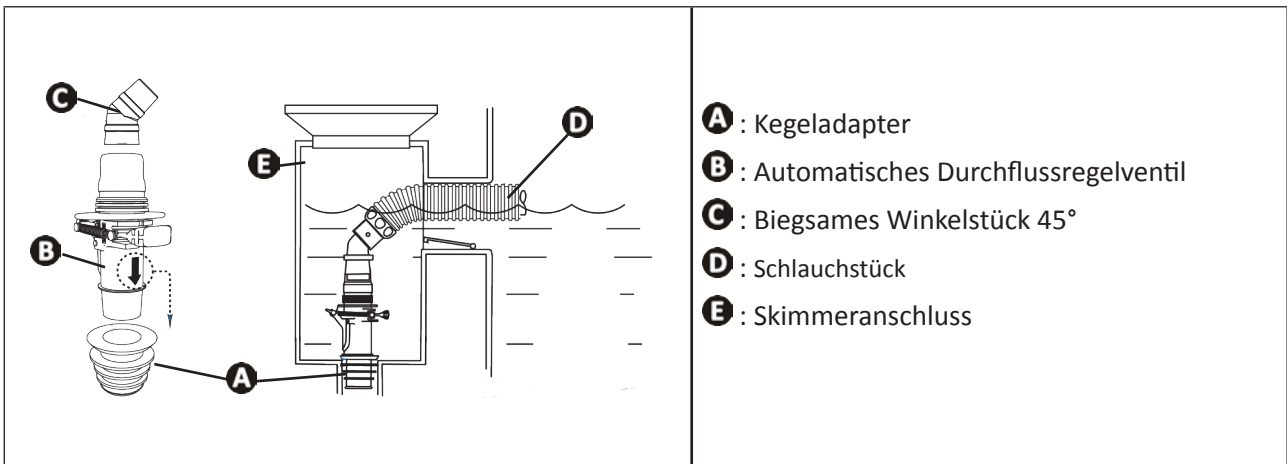
- Schalten Sie die Filterpumpe aus.
- Reinigen Sie den Siebkorb des Skimmers, den Vorfilter der Filterpumpe und den Filter, wenn nötig.

2.3.1 Anschluss am Bodensaugeranschluss



2.3.2 Anschluss am Skimmeranschluss

- Wenn im Schwimmbecken mehrere Skimmer vorhanden sind, schließen Sie den Schlauch am Skimmeranschluss an, der am nächsten bei der Filterpumpe liegt.

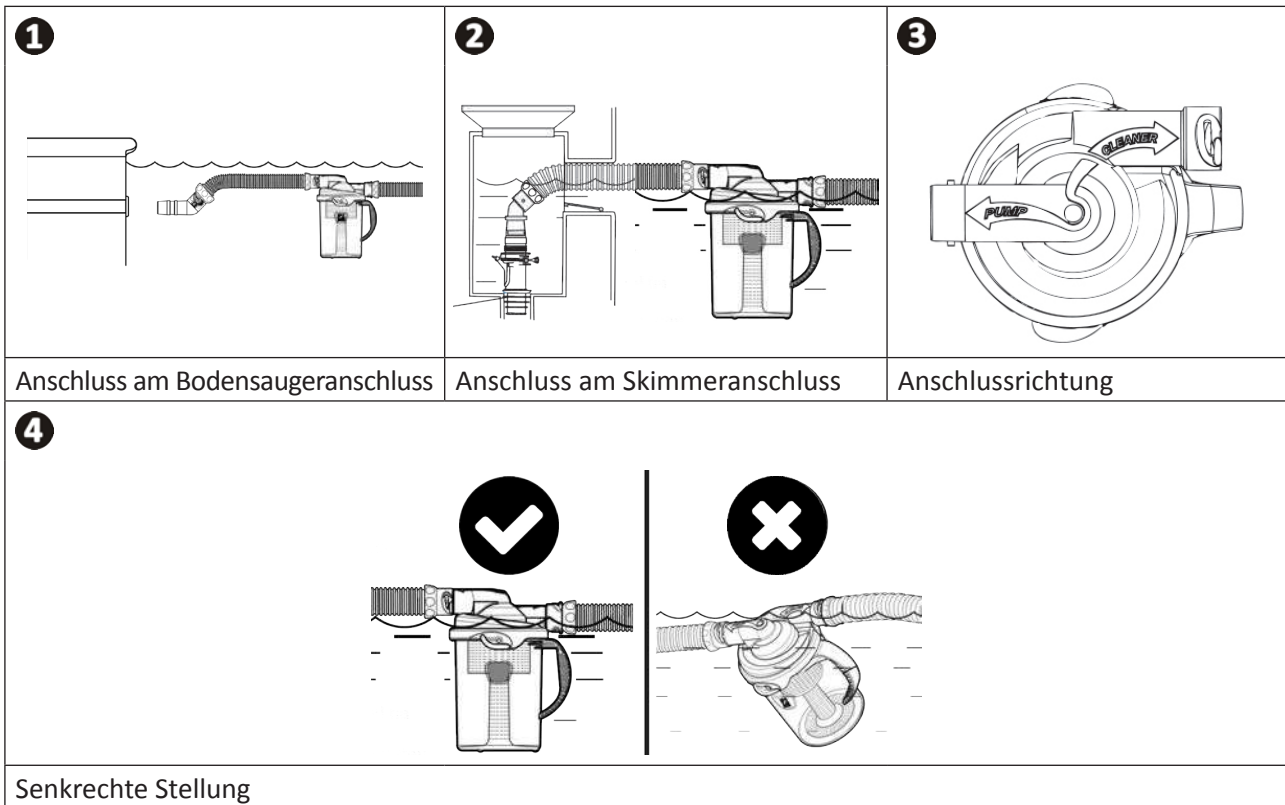


Empfehlung: Das automatische Durchflussregelventil anschließen, um das Filtersystem zu schützen.

Mit diesem Ventil kann der Durchfluss geregelt werden, um die Reinigung zu optimieren. Es ist auch sehr nützlich, um eventuelle Verschmutzungen aufzufangen, die eingesaugt werden und die Filtergeräte beschädigen könnten.

2.3.3 Anschluss des Laubfängers „Cyclonic™ Leaf Catcher“ (je nach Modell)

- Den Laubfänger am Schlauch anschließen, der am nächsten beim Bodensaugeranschluss bzw. beim Skimmeranschluss liegt (siehe Abbildung ① bzw. ②).
- Den Laubfänger gemäß den folgenden Angaben ausrichten: „PUMP“ = Filterpumpenseite / „CLEANER“ = Reinigerseite (siehe Abbildung ③).
- Für einen optimalen Betrieb muss der Laubfänger senkrecht zur Wasseroberfläche aufgestellt werden (siehe Abbildung ④).



Empfehlung: Den Laubfänger „Cyclonic™ Leaf Catcher“ anschließen, um das Filtersystem zu schützen.

Mit dem Laubfänger können Verschmutzungen aufgefangen werden, bevor sie in das Filtersystem eingesaugt werden und die Geräte langfristig beschädigen können. Es ist auch leichter, die Verschmutzungen aus dem Laubfänger als aus dem Vorfilter der Pumpe zu entfernen. Außerdem hat der Laubfänger den Vorteil, dass er durchsichtig ist, damit man weiß, wann er gereinigt werden muss.



3 Bedienung

3.1 I Funktionsweise

Hydraulische Reiniger werden an das Filtersystem angeschlossen (an einen Bodensaugeranschluss oder an einen Skimmeranschluss). Sie nutzen die Energie der Filterpumpe, um sich im Schwimmbecken zu bewegen. Die Fähigkeit, an den Wänden hochzusteigen, hängt von der Form des Schwimmbeckens und vom verfügbaren Wasserdurchfluss ab. Die Verschmutzungen werden vom Reiniger eingesaugt und im Vorfilter der Filterpumpe oder im Laubfänger (mitgeliefertes oder als Option verfügbares Zubehör, je nach Modell) aufgefangen.

3.2 I Vorbereitung des Schwimmbeckens



- **Dieses Produkt ist für die Nutzung in fest installierten Schwimmbecken bestimmt. Der Reiniger nicht in abmontierbaren Schwimmbecken eingesetzt werden. Ein fest installiertes Schwimmbecken ist im oder auf dem Boden eingebaut und kann nicht leicht abmontiert und eingelagert werden.**

- Das Gerät muss in einem Schwimmbeckenwasser betrieben werden, das folgende Eigenschaften aufweist:

Wassertemperatur	Zwischen 15°C und 35°C
pH	Zwischen 6.8 und 7.6
Chlor	< 3 mg/l

- Wenn das Schwimmbecken schmutzig ist, insbesondere bei der ersten Installation des Reinigers, entfernen Sie die sehr großen Verschmutzungen mit einem Handbesen und einem Kescher.
- Nehmen Sie Thermometer, Spielzeug und andere Gegenstände, die das Gerät beschädigen könnten, heraus.
- Nachdem chemische Stoffe ins Wasser hineingegeben werden, mindestens 4 Stunden warten, bevor der Reiniger ins Wasser gelassen wird.
- Sicherstellen, dass die Filter und Körbe der Skimmer sauber sind.
- Richten Sie die Düsen nach unten aus, wenn sie einstellbar sind.
- Schließen Sie den Bodenablauf des Schwimmbeckens.
- Schalten Sie die Filterpumpe aus.

DE

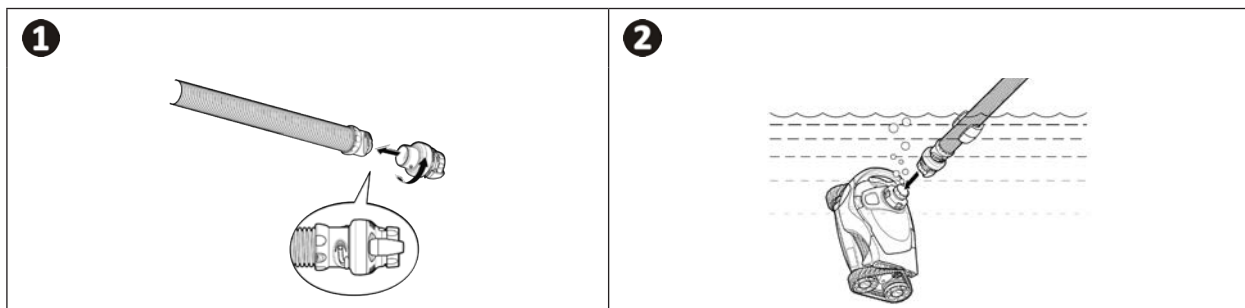
3.3 I Inbetriebnahme



- **Um schwere Verletzungen zu vermeiden, vergewissern Sie sich, dass die Filterpumpe ausgeschaltet ist.**
- **Halten Sie Ihre Haare, weiten Kleidungsstücke, Ihren Schmuck usw. vom offenen Ende des Schlauchs fern.**

3.3.1 Anschluss des Durchflussreglers und Eintauchen des Reinigers

- Stecken Sie das Schlauchstück mit Schwimmer auf den Durchflussregler (siehe Abbildung 1).
- Tauchen Sie den Reiniger ein, damit er sich mit Wasser füllt.
- Wenn keine Luftbläschen mehr aus dem Reiniger austreten, schließen Sie den Schlauch an, indem Sie den Durchflussregler auf den Reiniger stecken (siehe Abbildung 2).
- Lassen Sie den Reiniger auf den Boden des Schwimmbeckens sinken.



3.3.2 Füllen der Schläuche

- Trennen Sie zeitweilig den Schlauch vom Bodensaugeranschluss bzw. vom Skimmeranschluss.
- Schalten Sie die Filterpumpe ein.
- Füllen Sie den Schlauch mit Wasser, wobei Sie das Schlauchende vor eine Düse halten.
- Schalten Sie die Filterpumpe aus und schließen Sie den Schlauch wieder am Bodensaugeranschluss bzw. am Skimmeranschluss an.
- Schalten Sie die Pumpe ein, um den Reiniger zu starten.

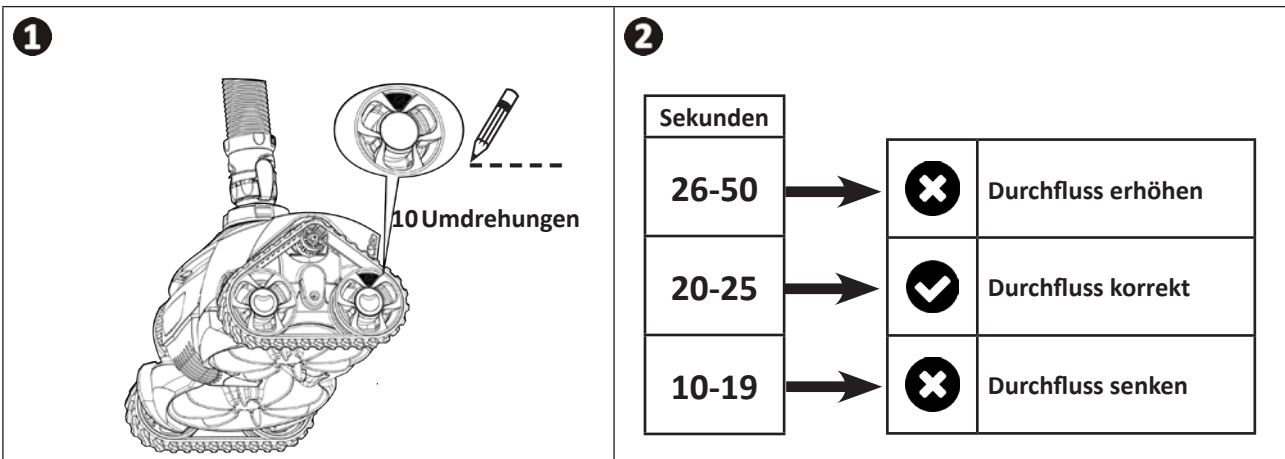
➤ 3.4 I Einstellung des Wasserdurchflusses

- Die Filterpumpe muss in Betrieb sein.
- Kontrollieren Sie den Wasserdurchfluss regelmäßig, um eine optimale Reinigung sicherzustellen und um das Hochsteigen des Reinigers an der Wand zu erleichtern.
- Der Reiniger ist mit einem Durchflussregler ausgestattet, der den im Reiniger zirkulierenden Wasserdurchfluss automatisch anpasst. Er zeigt an, ob der Wasserdurchfluss korrekt oder zu hoch ist: **GELB** = Durchfluss korrekt / **ROT** = Durchfluss zu hoch



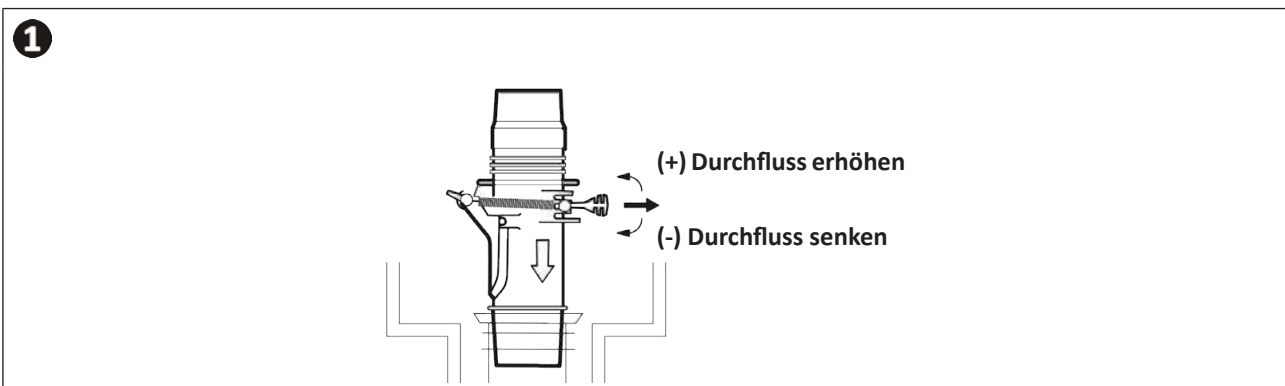
3.4.1 Kontrolle der Drehgeschwindigkeit der Räder

- Die Filterpumpe muss in Betrieb sein.
- Schalten Sie die Filterpumpe ein (halten Sie eine Stoppuhr bereit).
- Bringen Sie den Reiniger unter die Wasseroberfläche und lassen Sie ihn eingetaucht.
- Beobachten Sie die gelbe Markierung auf dem rechten Hinterrad (siehe Abbildung 1).
- Für MX8 - MX8 PRO - MX9: Warten Sie, bis die Räder die Richtung wechseln und stoppen Sie die Zeit, die die Räder für 10 Umdrehungen brauchen (siehe Abbildung 1).
- Stellen Sie den Wasserdurchfluss in Abhängigkeit von der gemessenen Zeit ein (siehe Abbildung 2).



3.4.2 Einstellung des Wasserdurchflusses

- Stellen Sie den Wasserdurchfluss mithilfe des mit dem Gerät mitgelieferten automatischen Durchflussregelventils (siehe Abbildung 1) oder mit den Ventilen des Schwimmbeckens ein.



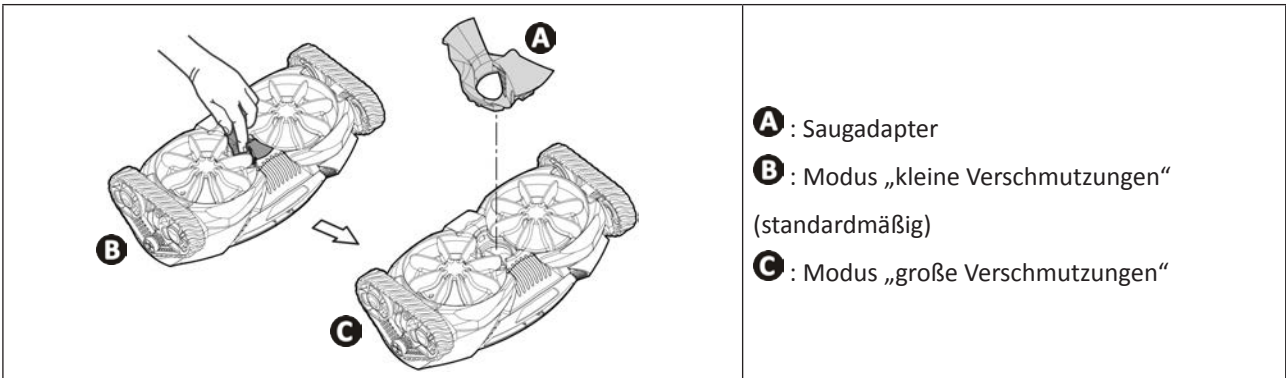
➤ 3.5 I Auswahl des Saugmodus: kleine oder große Verschmutzungen (je nach Modell)



Bevor Sie mit diesem Vorgang beginnen und um schwere Verletzungen zu vermeiden:

- Schalten Sie die Filterpumpe aus.
- Trennen Sie den Reiniger vom Schlauch.

- Der Reiniger verfügt über einen Saugadapter, der sich unter dem Reiniger befindet.
- Mit dem Adapter kann die Ansaugung je nach Typ der einzusaugenden Verschmutzungen eingestellt werden: **Modus „kleine Verschmutzungen“** (Verschmutzungen geringer Größe oder schwere Verschmutzungen wie Sand, Schlamm und Steine), **Modus „große Verschmutzungen“** (Laub).
- **Zum Umschalten in den Modus „große Verschmutzungen“:** Entfernen Sie den Adapter, indem Sie einen Finger einstecken und den hinteren Rand anheben.
- **Zurück zum Modus „kleine Verschmutzungen“:** Drücken Sie auf den vorderen und hinteren Rand des Adapters, damit er in seiner Aufnahme einrastet.



Empfehlung: Verwenden Sie während der Badesaison vorzugsweise den Modus „kleine Verschmutzungen“. Wenn das Schwimmbecken regelmäßig gereinigt wird, wird empfohlen, den Saugadapter eingesetzt zu lassen, um im Modus „kleine Verschmutzungen“ zu bleiben.

DE



4 Instandhaltung

- Das Gerät muss regelmäßig mit klarem oder leicht seifenhaltigem Wasser gereinigt werden. Es darf kein Lösungsmittel verwendet werden.
- Spülen Sie das Gerät mit reichlich klarem Wasser ab.
- Lagern Sie den Reiniger niemals in der prallen Sonne. Lagern Sie die Schläuche liegend. Sie dürfen nicht aufgerollt werden, damit die ursprüngliche Form der Schläuche erhalten bleibt.

4.1 I Reinigung des Vorfilters der Filterpumpe

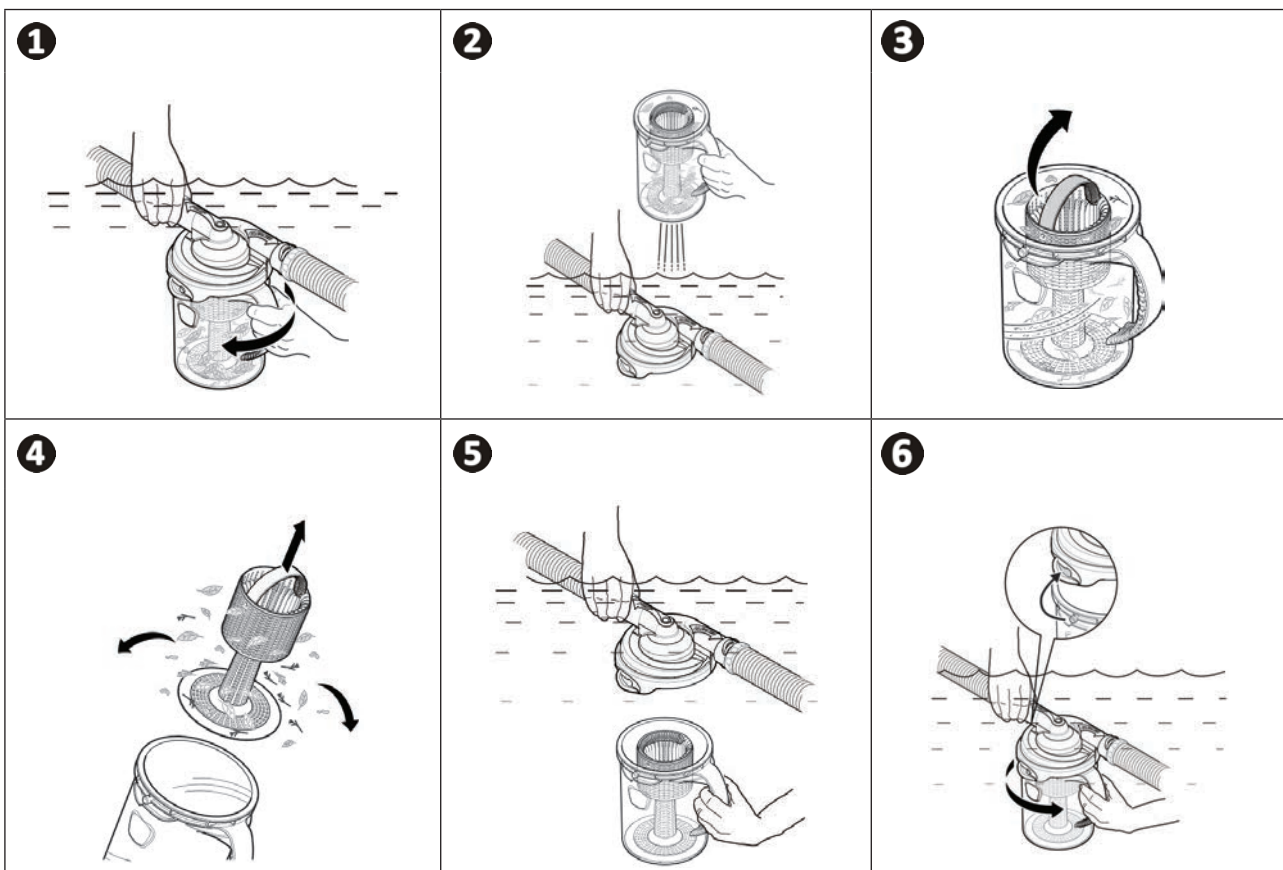


- Vor dem Reinigen oder Entleeren des Filtersystems muss der Reiniger immer aus dem Schwimmbecken entfernt werden.
- Nach dem Reinigen (und bevor der Reiniger ins Wasser gelassen wird) muss die Filterpumpe mindestens 5 Minuten lang laufen, um den Kreislauf zu entlüften.

- Für eine maximale Effizienz des Reinigers muss der Vorfilter der Pumpe regelmäßig von den Verschmutzungen befreit werden.
- Es wird empfohlen, den Laubfänger (mitgeliefertes oder als Option verfügbares Zubehör, je nach Modell) zu verwenden, um große Verschmutzungen aufzufangen, bevor sie durch den Skimmer und zum Vorfilter gelangen.

4.2 I Reinigung des Laubfängers „Cyclonic™ Leaf Catcher“

- Schalten Sie die Filterpumpe aus.
- Halten Sie den Laubfänger am Griff unter Wasser. Drehen Sie den durchsichtigen Behälter mit dem Griff, bis er sich löst (siehe Abbildung 1).
- Holen Sie den durchsichtigen Behälter aus dem Wasser und lassen Sie den Deckel und die Schläuche unter Wasser (siehe Abbildung 2).
- Entfernen Sie den Filter mithilfe des oberen Griffs (siehe Abbildung 3).
- Entfernen Sie die Verschmutzungen und spülen Sie den durchsichtigen Behälter mit klarem Wasser aus (siehe Abbildung 4).
- Bringen Sie den Filter wieder an und tauchen Sie anschließend den Laubfänger wieder ein (siehe Abbildung 5).
- Setzen Sie den durchsichtigen Behälter korrekt an den Einkerbungen des Deckels ein und drehen Sie ihn mit Kraft, damit die beiden Teile gut einrasten (siehe Abbildung 6).



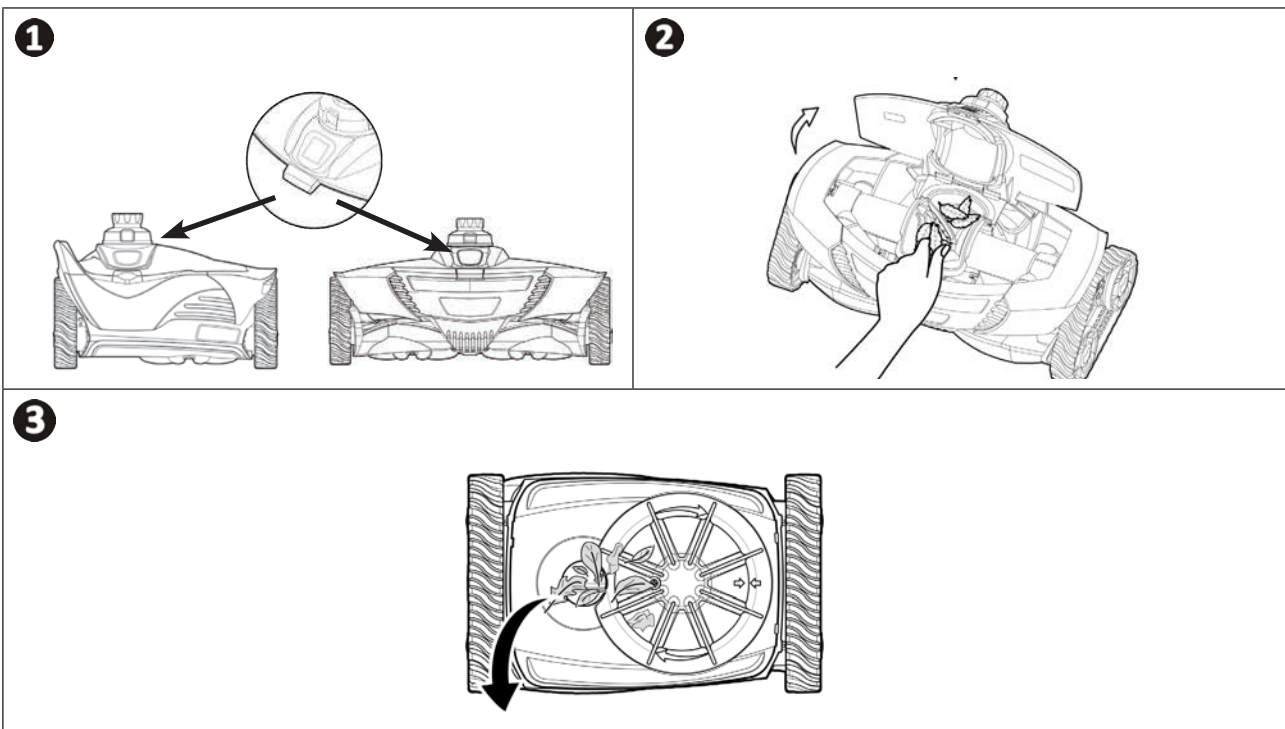
4.3 I Entfernen der Verschmutzungen aus dem Motor



Bevor Sie mit diesem Vorgang beginnen und um schwere Verletzungen zu vermeiden:

- Schalten Sie die Filterpumpe aus.
- Trennen Sie den Reiniger vom Schlauch.

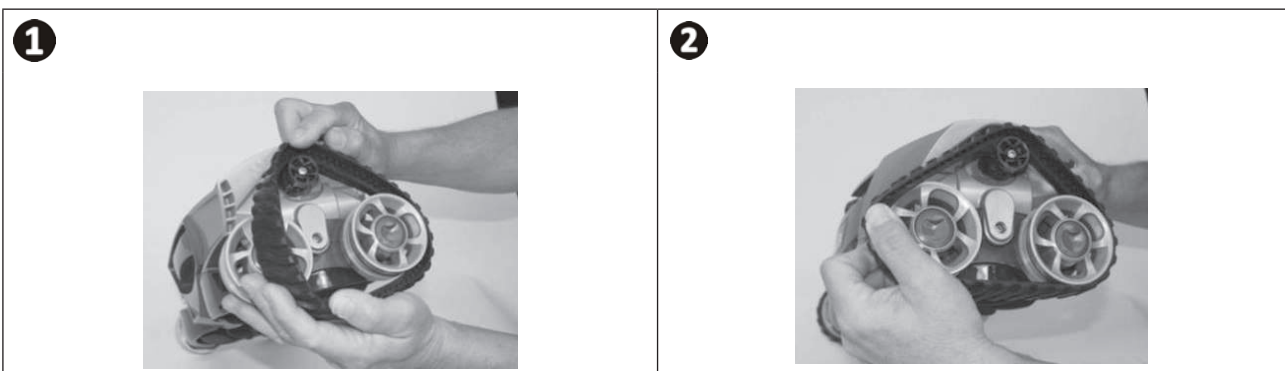
- Drücken Sie den Knopf auf der Oberseite und heben Sie die Haube an (siehe Abbildung 1).
- Entfernen Sie die im Inneren enthaltenen Verschmutzungen (siehe Abbildung 2) und auch unter dem Reiniger (siehe Abbildung 3).
- Wenn nötig, drücken Sie leicht die Rotorblätter nach vorne und nach hinten, um festgesetzte Verschmutzungen zu lösen, und entfernen Sie sie. Wenn Sie die Rotorblätter bewegen, stellen Sie sicher, dass sich die Raupenbänder des Reinigers frei drehen und dass sie mit der Bewegung der unter dem Reiniger befindlichen Rotorblätter synchronisiert sind.
- Entfernen Sie auch Verschmutzungen, die eventuell in der Ansaugöffnung festsitzen.
- Schließen Sie die Haube und achten Sie darauf, dass der Riegel korrekt einrastet.



DE

4.4 I Ersetzen der Raupenbänder

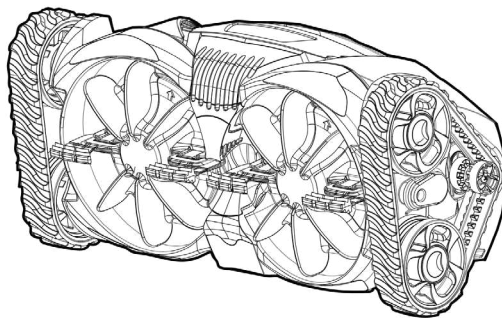
- Legen Sie den Reiniger auf eine Seite.
- Fangen Sie bei einem Rad an und ziehen Sie an der Innenseite des Raupenbandes, um es vom Rad zu trennen (siehe Abbildung 1). Entfernen Sie anschließend das Raupenband vom Reiniger.
- Zum Installieren des neuen Raupenbandes legen Sie die Innenseite des Raupenbandes auf die Nut des kleinen Rades und auf eines der großen Räder.
- Ziehen Sie das Raupenband um das letzte Rad (siehe Abbildung 2). Drücken Sie auf das Raupenband, um es richtig in die Nut der Räder einzusetzen. Prüfen Sie, dass das Raupenband unter der Führung durchläuft.



➤ 4.5 I Lagerung und Einwinterung

- Für die Einwinterung muss das Wasser vollständig aus dem Reiniger geleert werden (die Garantie gilt nicht für frostbedingte Schäden).
- Reinigen Sie das gesamte Gerät und die Schläuche mit klarem Wasser und lassen Sie sie anschließend trocknen.
- Lagern Sie sie an einem trockenen, frostgeschützten Ort. Legen Sie den Reiniger auf die Seite oder drehen Sie ihn ganz um, um die Turbine nicht zu beschädigen (siehe Abbildung 1).
- Trennen Sie alle Anschlüsse und Adapter vom Bodensaugeranschluss bzw. vom Skimmeranschluss.

1



Empfehlung: Den Zustand der Schläuche während der Lagerung beibehalten

Wenn der Reiniger eingelagert ist, vermeiden Sie es, die Schläuche aufzuwickeln, und sei es nur für einen kurzen Zeitraum. Sie können eine Form einnehmen, die die Leistung des Reinigers beeinträchtigen könnte.



5 Problembehebung



- Bevor Sie sich an Ihren Fachhändler wenden, können Sie im Fall einer Betriebsstörung mithilfe der folgenden Tabellen einfache Überprüfungen vornehmen.
- Sollte das Problem dadurch nicht gelöst werden, wenden Sie sich bitte an Ihren Fachhändler.

5.1 I Verhaltensweisen des Gerätes

<p>Der Reiniger bewegt sich nicht oder nur sehr langsam.</p>	<ul style="list-style-type: none"> • Prüfen Sie, dass der Bodenablauf gut geschlossen ist. • Entleeren Sie die Körbe der Skimmer und den Vorfilter der Pumpe und reinigen Sie sie. • Kontrollieren Sie den Motorbereich und entfernen Sie alle sichtbaren Verschmutzungen (siehe § „4.3 I Entfernen der Verschmutzungen aus dem Motor“). • Entfernen Sie den Saugadapter unter dem Reiniger (siehe § „3.5 I Auswahl des Saugmodus: kleine oder große Verschmutzungen (je nach Modell)“). • Prüfen Sie den Durchfluss (siehe § „3.4 I Einstellung des Wasserdurchflusses“). • Schalten Sie die Filterpumpe ein und überprüfen Sie, ob es keine Luft im Filterkreislauf gibt. Wenn der Vorfilter der Filterpumpe mit Luftblasen gefüllt ist oder wenn der Wasserstand niedrig ist, bedeutet dies, dass Luft im Kreislauf enthalten ist. Wenn Luft vorhanden ist, zeigt sich das auch am Wasserdurchfluss am Düsenaustritt. Luft kann von der Saugseite der Pumpe aus in den Filterkreislauf eindringen (und wenn es Löcher oder Risse in einem der Schlauchstücke gibt). • Prüfen Sie, dass die Beckenoberfläche nicht mit Algen bedeckt ist. Das würde sie glitschig machen und den Antrieb des Reinigers sowie das Hochsteigen an der Wand beeinträchtigen. Führen Sie in diesem Fall eine Schockchlorung durch und senken Sie leicht den pH-Wert.
<p>Der Reiniger kommt nicht an jede Stelle des Schwimmbeckens.</p>	<ul style="list-style-type: none"> • Prüfen Sie den Durchfluss (siehe § „3.4 I Einstellung des Wasserdurchflusses“). • Richten Sie die Düsen nach unten aus, wenn sie einstellbar sind. • Prüfen Sie, ob der Schlauch Schleifen bildet. Wenn der Schlauch eine Schleifenform eingenommen hat, schalten Sie den Reiniger aus und entfernen Sie die betreffenden Schlauchstücke. Legen Sie die Schlauchstücke, an denen sich Schleifen gebildet haben, flach in die Sonne, bis sich diese Schlauchstücke wieder gerade richten. Installieren Sie die Schlauchstücke wieder am Reiniger. • Prüfen Sie, ob der Schlauch lang genug ist (siehe § „2.2 I Zusammenbau der Schlauchstücke“). Fügen Sie andernfalls weitere Schlauchstücke hinzu. • Prüfen Sie, ob das Schlauchstück mit Schwimmer korrekt eingesetzt ist (siehe § „2.2 I Zusammenbau der Schlauchstücke“). • Beobachten Sie den Reiniger mehr als fünf Minuten lang und prüfen Sie, dass das Raupenband regelmäßig die Richtung wechselt.
<p>Der Reiniger bleibt auf den Stufen blockiert.</p>	<ul style="list-style-type: none"> • Prüfen Sie, dass sich die drehbare Dichtung auf der Oberseite des Reinigers frei dreht. • Prüfen Sie den Durchfluss, indem Sie die Drehgeschwindigkeit der Räder kontrollieren (siehe § „3.4.1 Kontrolle der Drehgeschwindigkeit der Räder“). • Prüfen Sie, ob der Schlauch nicht zu lang ist (siehe § „2.2 I Zusammenbau der Schlauchstücke“). Verkürzen Sie ihn andernfalls, indem Sie Schlauchstücke entfernen.
<p>Der Reiniger steigt nicht die Wände hoch.</p>	<ul style="list-style-type: none"> • Prüfen Sie den Durchfluss (siehe § „3.4 I Einstellung des Wasserdurchflusses“) und erhöhen Sie ihn bei Bedarf (siehe § „3.4.2 Einstellung des Wasserdurchflusses“). • Prüfen Sie, ob der Schwimmer des Schlauchs korrekt eingesetzt ist (siehe § „2.2 I Zusammenbau der Schlauchstücke“). • Prüfen Sie, dass die Wände nicht rutschig sind (aufgrund von Algen).
<p>Der Reiniger überschreitet die Wasserlinie.</p>	<ul style="list-style-type: none"> • Senken Sie den Durchfluss (siehe § „3.4.2 Einstellung des Wasserdurchflusses“). • Prüfen Sie, ob der Schwimmer des Schlauchs korrekt eingesetzt ist (siehe § „2.2 I Zusammenbau der Schlauchstücke“).
<p>Der Reiniger liegt auf der Seite.</p>	<ul style="list-style-type: none"> • Prüfen Sie, ob der Schwimmer des Schlauchs korrekt eingesetzt ist (siehe § „2.2 I Zusammenbau der Schlauchstücke“).

Votre revendeur
Your retailer

Modèle appareil
Appliance model

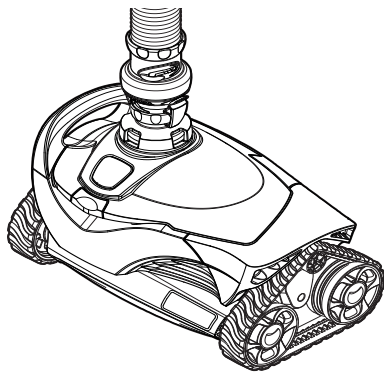
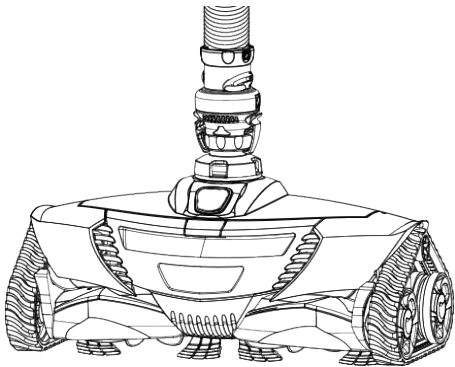
Numéro de série
Serial number

Trouvez plus d'informations et enregistrez votre produit sur
More informations and register your product on

www.zodiac.com



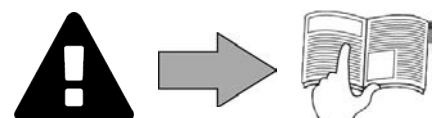
MX6™
MX630™
MX8™
MX8™ PRO
MX9™



Manual de instalación y de uso - Español
Robot hidráulico
Traducción de las instrucciones originales en francés

ES

More documents on:
www.zodiac.com



ADVERTENCIAS

ADVERTENCIAS GENERALES

- El incumplimiento de las advertencias podría deteriorar el equipo de la piscina o provocar heridas graves, incluso la muerte.
- Solo una persona cualificada en los ámbitos técnicos concernidos (electricidad, hidráulico o frigorífico) está habilitada para practicar este procedimiento. El técnico cualificado que intervenga sobre el aparato deberá utilizar/llevar un equipo de protección individual adecuado (gafas de seguridad, guantes, etc.) para reducir el riesgo de lesiones que pudieran producirse durante dicha intervención.
- Antes de cualquier intervención en la máquina, asegúrese de que se encuentre fuera de tensión y consignada.
- El aparato ha sido diseñado para un uso exclusivo en piscina y spas y no se le debe dar ningún otro uso distinto al previsto.
- Es importante que este aparato sea manipulado por personas competentes y aptas (físicamente y mentalmente) que hayan recibido previamente las instrucciones de uso. Las personas que no cumplan estos criterios no deberían poder acceder al dispositivo para evitar el riesgo de daños materiales, heridas y hasta la muerte.
- Mantenga el aparato fuera del alcance de los niños.
- La instalación del aparato debe ser realizada de acuerdo con las instrucciones del fabricante y cumpliendo las normas locales vigentes. El instalador es responsable de la instalación del aparato y del cumplimiento de las normativas nacionales de instalación. En ningún caso el fabricante será responsable del incumplimiento de las normas de instalación locales en vigor.
- Para cualquier acción que no se corresponda con el mantenimiento simple a cargo del usuario descrito en el presente manual, se deberá recurrir a un técnico cualificado.
- Una instalación y/o un uso incorrectos pueden ocasionar daños materiales o provocar lesiones corporales graves, incluso la muerte.
- Todo material expedido viaja siempre por cuenta y riesgo del destinatario, incluso con los portes y embalajes pagados. El destinatario deberá manifestar sus reservas por escrito en el albarán de entrega del transportista si se advierten daños producidos durante el transporte (confirmación en las 48 horas siguientes comunicada al transportista mediante carta certificada). Si un aparato pierde parte del fluido frigorígeno contenido, el destinatario deberá indicar las reservas por escrito al transportista.
- En caso de mal funcionamiento del equipo: no intente repararlo usted mismo y contacte con un técnico cualificado.
- Vea en las condiciones de garantía el detalle de los valores del equilibrio del agua admitidos para el correcto funcionamiento del aparato.
- La garantía se anulará automáticamente en caso de desactivación, eliminación o modificación de cualquier dispositivo de seguridad del aparato, así como si se utilizan recambios no originales de nuestras marcas.
- No pulverice insecticida ni ningún otro producto químico (inflamable o no inflamable) sobre el aparato, ya que podría deteriorar la carrocería y provocar un incendio.
- Los aparatos Zodiac® como bombas de calor, bombas de filtración y filtros son compatibles con cualquier tratamiento de agua para piscinas.
- No toque el ventilador ni las piezas móviles y no introduzca ninguna varilla ni los dedos a través de la rejilla durante el funcionamiento del mismo. Las piezas móviles pueden provocar lesiones e incluso la muerte.

ADVERTENCIAS SOBRE APARATOS ELÉCTRICOS

- La alimentación eléctrica del aparato se debe proteger mediante un dispositivo de corriente diferencial residual de 30 mA, de acuerdo con las normas vigentes en el país de instalación.
- No utilice alargaderas para conectar el aparato a la red eléctrica; conéctelo directamente a un enchufe mural adaptado.
- Antes de cualquier operación, compruebe que:
 - La tensión indicada en el aparato corresponde con la de la red.
 - La red de alimentación eléctrica es adecuada para el uso del aparato y cuenta con una toma de tierra.
 - El enchufe se adapta a la toma de corriente.
- En caso de que el aparato funcione mal o libere un mal olor, párelo inmediatamente, desenchúfelo y contacte con un profesional.
- Antes de intervenir sobre el aparato, asegúrese de que está apagado y fuera de servicio, así como todo equipo conectado a dicho aparato, y con la prioridad calefacción desactivada (en caso de tenerla).
- No desconecte y vuelva a conectar el aparato en funcionamiento.
- No tire del cable de alimentación para desenchufarlo.
- Si el cable de alimentación está deteriorado, deberá ser reemplazado por el fabricante, su agente de mantenimiento o un técnico cualificado para evitar eventuales riesgos.
- No realice ninguna intervención de limpieza o de mantenimiento del aparato con las manos mojadas o si el aparato está húmedo.
- Limpie la regleta de terminales o la toma de alimentación antes de cualquier conexión.
- Para los elementos o subconjuntos con pilas: no recargue las pilas, no las desmonte, no las tire al fuego. No lo exponga a temperaturas elevadas ni a la luz directa del sol.
- En caso de tormenta, desconecte el aparato para evitar que sea dañado por un rayo.
- No sumerja el aparato en agua (salvo los robots de limpieza) ni en barro.

ESPECIFICIDADES «Robots de limpiafondos de piscina»

- El robot debe funcionar en un agua de piscina a una temperatura entre 15°C y 35°C.
- Con el fin de evitar cualquier riesgo de daño material o heridas, no haga funcionar el robot fuera del agua.
- Con el fin de evitar cualquier riesgo de electrocución, el baño está prohibido mientras el robot esté en la piscina!
- No utilice el robot si ha efectuado una cloración de choque en la piscina!
- No deje los robots sin vigilancia durante mucho rato.

ADVERTENCIA SOBRE EL USO DE ESTE ROBOT EN UNA PISCINA CON REVESTIMIENTO VINÍLICO:

- Antes de instalar su nuevo robot limpiafondos, inspeccione atentamente el revestimiento de la piscina. Si observa grietas en el liner, si detecta grava, pliegues, raíces o corrosión por metal en la cara inferior del liner, o si constata que el soporte (fondo y paredes) está dañado, no instale el robot antes de haber efectuado las reparaciones pertinentes o de haber mandado cambiar el liner a un profesional cualificado. El fabricante no será ningún caso responsable de los daños ocasionados al liner.
- La superficie de algunos revestimientos de vinilo con motivos puede desgastarse rápidamente y los motivos pueden desaparecer al entrar en contacto con objetos como cepillos de limpieza, juguetes, boyas, distribuidores de cloro o limpiadores automáticos de piscina. Los motivos de algunos revestimientos vinílicos pueden ser rasguños o desgastados por simple fricción, como con un cepillo de piscina. El color de algunos motivos también puede borrarse durante la utilización o en caso de contacto con objetos presentes en la piscina. Los motivos borrados y el desgaste o el rasguño de los revestimientos vinílicos no son responsabilidad del fabricante y no están cubiertos por la garantía limitada.

Reciclaje



Este símbolo significa que no se debe tirar el aparato a la basura. Hay que depositarlo en un contenedor adaptado de recogida selectiva para su reutilización, reciclaje o recuperación. Si contiene sustancias potencialmente peligrosas para el medio ambiente, estas deberán ser eliminadas o neutralizadas.

Infórmese de las modalidades de reciclaje preguntando a su distribuidor.



- Antes de utilizar el aparato, lea atentamente el manual de instalación y de uso y las «advertencias y garantía» suministrados con el dispositivo para evitar la anulación de la garantía, así como cualquier daño material y heridas graves, incluso la muerte.
- Guarde y facilite dichos documentos para cualquier consulta necesaria durante la vida útil del aparato.
- Está prohibido difundir o modificar este documento por cualquier medio sin la autorización de Zodiac®.
- Siguiendo con la política de mejora continua de sus productos, Zodiac® se reserva el derecho de modificar sin previo aviso las informaciones contenidas en este documento.

ÍNDICE



1 Características

3

1.1 | Descripción

3

1.2 | Características técnicas y localización

4



2 Instalación

5

2.1 | Puesta en marcha

5

2.2 | Ensamblaje de las secciones de tubos

5

2.3 | Conexiones hidráulicas

6



3 Utilización

8

3.1 | Principio de funcionamiento

8

3.2 | Preparación de la piscina

8

3.3 | Puesta en funcionamiento

8

3.4 | Ajuste del caudal de agua

9

3.5 | Selección del modo de aspiración: residuos gordos o pequeños (según modelo)

10



4 Mantenimiento

11

4.1 | Limpieza del prefiltro de la bomba de filtración

11

4.2 | Limpieza del recogehojas Cyclonic™ Leaf Catcher

11

4.3 | Retirar los residuos del motor

12

4.4 | Cambio de las orugas

12

4.5 | Almacenamiento e invierno

13



5 Resolución de problemas

14

5.1 | Funcionamiento del aparato

14



Consejo: para contactar más fácilmente con su distribuidor

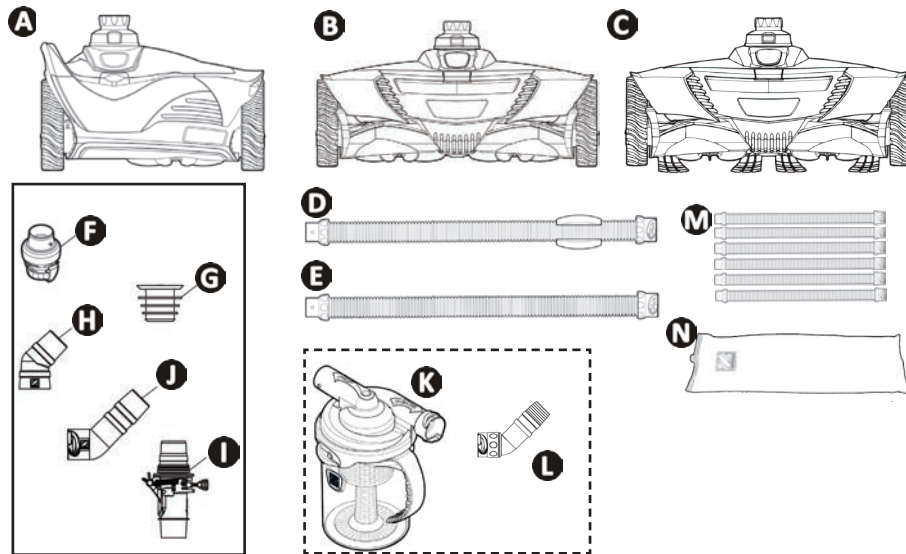
Anote las señas de contacto de su distribuidor para encontrarlo con mayor facilidad y rellene los datos del producto en el reverso de la hoja, ya que su distribuidor le pedirá dicha información.

ES



1 Características

1.1 Descripción



		MX™ 6 - MX™ 630	MX™ 8	MX™ 8 PRO	MX™ 9
A	Robot	✓			
B			✓	✓	
C					✓
D	Sección del tubo Twist Lock de 1 m con flotador (x1)	✓	✓	✓	✓
E	Sección del tubo Twist Lock de 1 m	✓ (x9)	✓ (x11)	✓ (x11)	✓ (x11)
F	Regulador de caudal	✓	✓	✓	✓
G	Adaptador cónico	✓	✓	✓	✓
H	Codo flexible 45°	✓	✓	✓	✓
I	Válvula de ajuste automático de caudal	✓	✓	✓	✓
J	Codo alargado 45° Twist Lock	✓	✓		✓
K	Recogehojas Cyclonic™ Leaf Catcher	+	+	✓	+
L	Codo alargado 45° giratorio	+	+	✓	+
M	Juego de 6 secciones de tubos Twist Lock de 1 m	+	+	+	+
N	Bolsa de invierno para mangueras	+	+	+	+

✓: suministrado

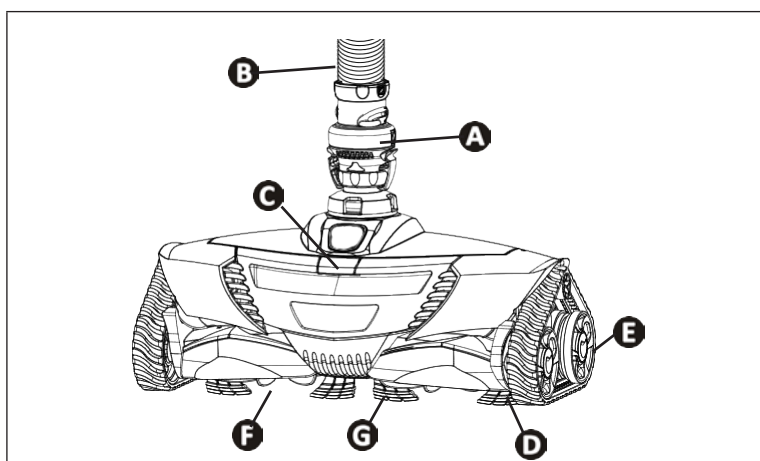
+: opcional

➤ 1.2 I Características técnicas y localización

1.2.1 Características técnicas

	MX™ 6 - MX™ 630	MX™ 8	MX™ 8 PRO	MX™ 9
Dimensiones del robot (L x P x a)	31 x 19 x 22 cm	41 x 19 x 22 cm		
Dimensiones del embalaje (L x P x a)	102 x 23 x 37 cm			
Peso del robot	2,5 kg	3,2 kg		3,4 kg
Peso embalado	8,2 kg	9,5 kg	10,5 kg	9,5 kg
Anchura limpiada teórica	25 cm	36 cm		
Capacidad de filtración	Circuito de filtración de la piscina			
Potencia mínima requerida de la bomba de filtración	3/4 CV			
Velocidad de desplazamiento	8 m/min			

1.2.2 Localización

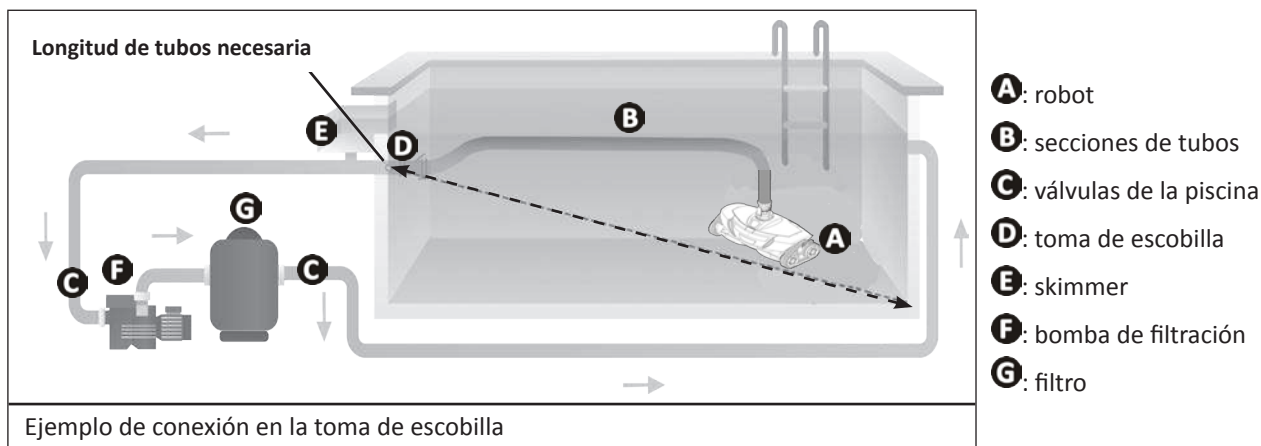


- A**: regulador de caudal
- B**: sección de tubo
- C**: botón de apertura de la cubierta
- D**: orugas
- E**: ruedas
- F**: hélices
- G**: cepillos (según modelo)



2 Instalación

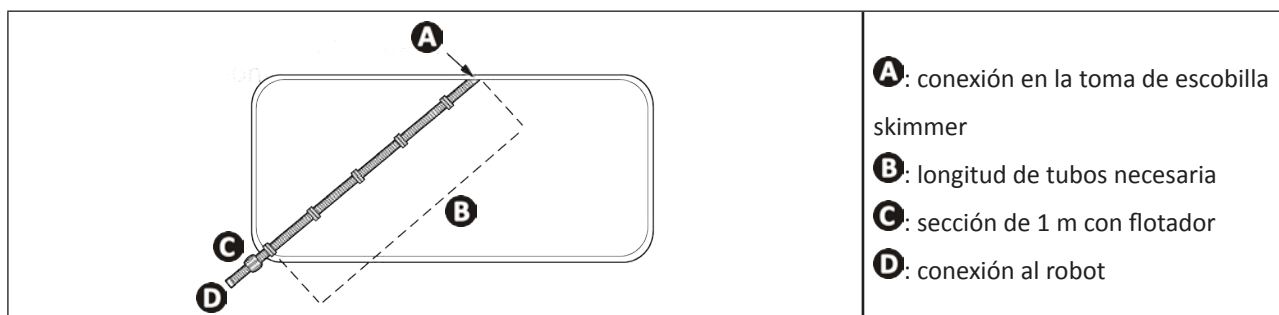
2.1 | Puesta en marcha



2.2 | Ensamblaje de las secciones de tubos

2.2.1 Determinar el número de secciones necesario

- Mida la longitud entre la toma de escobilla o el skimmer y el punto más alejado de la piscina.
- Añada 1 m a la longitud medida.
- Si la longitud total supera los 10 m (MX™6 - MX™630) o 12 m (MX™8 - MX™8 PRO - MX™9), contacte con su distribuidor para comprar secciones de tubos adicionales.

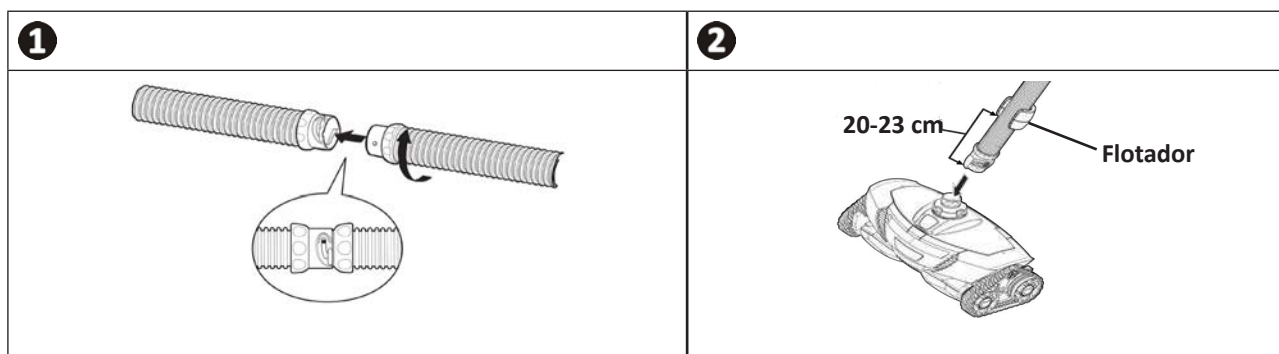


Consejo: ensamble solo la cantidad de secciones de tubo necesaria

No conviene ensamblar más secciones de tubos que la longitud necesaria para cubrir toda la piscina. Una longitud demasiado larga podría limitar el rendimiento de limpieza del robot.

2.2.2 Ensamblaje de las secciones de tubos Twist Lock

- Para ensamblar dos secciones de tubos fácilmente gracias al sistema Twist Lock, encájelos y luego gírelos hasta que los conectores estén en el tope máximo, en una de las 3 muescas que garantizan la estanqueidad (ver imagen 1).
- La primera sección de tubo que incluye el flotador se conectará al robot (ver imagen 2). El flotador debe situarse a 20-23 cm del robot (ver imagen 2).

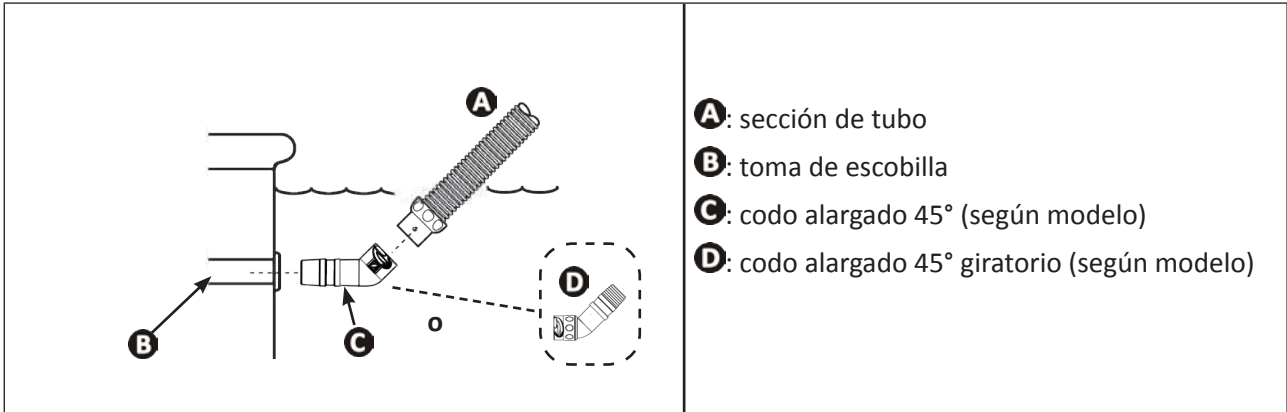


2.3 | Conexiones hidráulicas



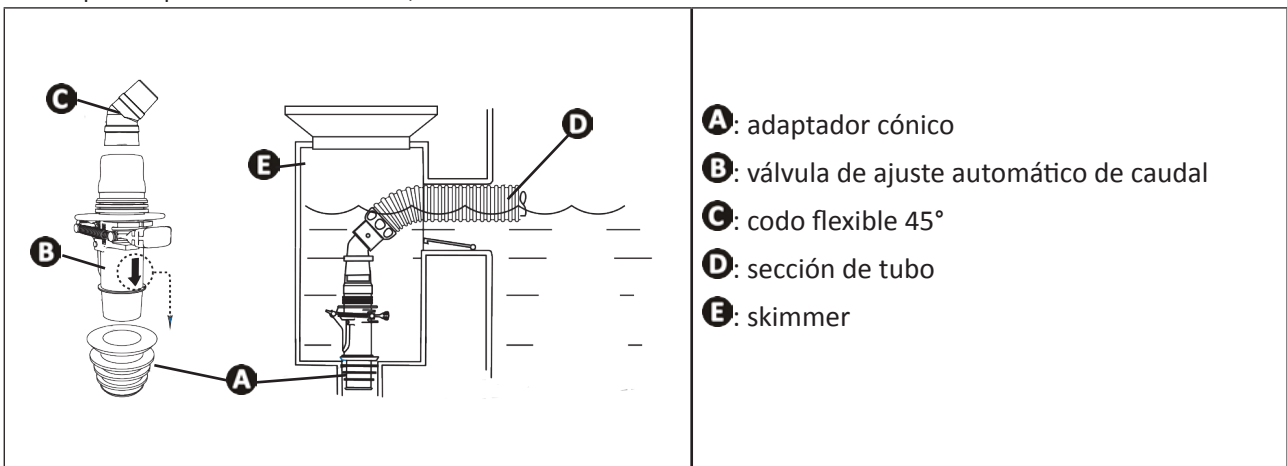
- Parar la bomba de filtración.
- Limpiar el skimmer, prefiltro de la bomba de filtración y el filtro.

2.3.1 Conexión en la toma de escobilla



2.3.2 Conexión al skimmer

- Si la piscina posee varios skimmers, conecte el tubo al más cercano a la bomba de filtración.

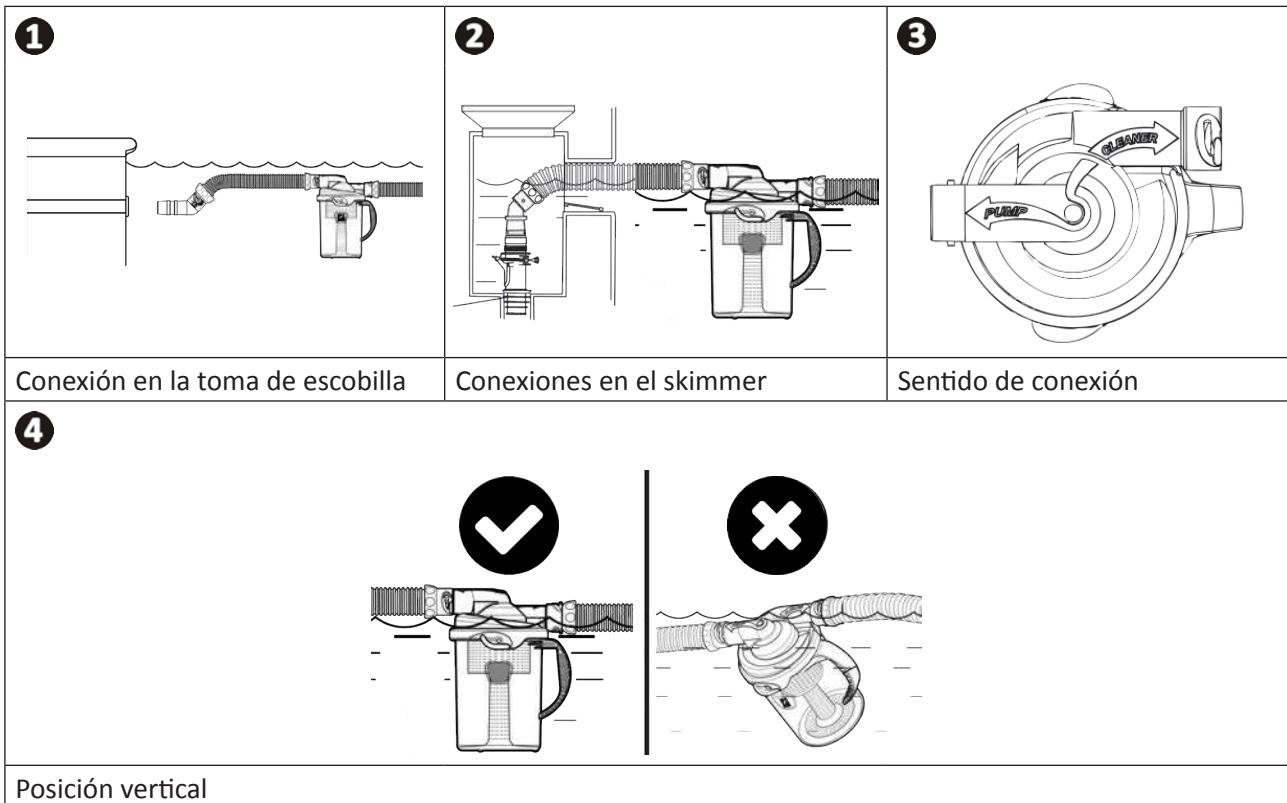


Consejo: proteja el sistema de filtración conectando la válvula de ajuste automático de caudal

Esta válvula permite ajustar el caudal para optimizar la limpieza del robot y también es muy útil para retener cualquier residuo que podría ser aspirado con el riesgo de dañar el equipo de filtración.

2.3.3 Conexión al recogehojas Cyclonic™ Leaf Catcher (según modelo)

- Conecte el recogehojas al tubo lo más cercano de la toma de escobilla o del skimmer (ver imagen **1** o **2**).
- Oriente el recogehojas de la siguiente manera: «PUMP» = lado bomba de filtración / «CLEANER» = lado robot (ver imagen **3**).
- Para un funcionamiento óptimo, coloque el recogehojas verticalmente sobre el agua (ver imagen **4**).



Consejo: proteja el sistema de filtración conectando el recogehojas Cyclonic™ Leaf Catcher

El recogehojas se utiliza para atrapar los residuos y que no sean absorbidos por el sistema de filtración, lo que podría dañar el equipo a largo plazo. También permite eliminar los residuos más fácilmente que en el prefiltro de la bomba y al ser transparente permite saber cuándo limpiarlo.



3 Utilización

3.1 | Principio de funcionamiento

Los robots hidráulicos están conectados al sistema de filtración (en una toma de escobilla o skimmer) y utilizan la energía de la bomba de filtración para moverse por la piscina. La capacidad de subida a las paredes del robot varía en función de la forma de la piscina y el caudal de agua disponible.

Los residuos son absorbidos por el robot y capturados en el prefiltro de la bomba de filtración o en el recogehojas (accesorio incluido u opcional según el modelo).

3.2 | Preparación de la piscina



- Este producto está destinado a una utilización en piscinas instaladas de manera permanente. No utilice el robot en piscinas desmontables. Una piscina permanente está construida en el suelo o sobre el suelo y no puede desmontarse fácilmente y guardarse.

- El robot debe funcionar en un agua de piscina cuya calidad sea la siguiente:

Temperatura del agua	Entre 15°C y 35°C
pH	Entre 6.8 y 7.6
Cloro	< 3 mg/l

- Cuando la piscina esté sucia, en particular durante la puesta en servicio, retire los residuos grandes con la ayuda de un cepillo manual y una red.
- Retire termómetros, juguetes y otros objetos que pueden dañar al robot.
- Tras añadir productos químicos al agua, espere al menos 4 horas antes de introducir el robot en el agua.
- Verifique que el sistema de filtración y las cestas de los skimmers estén limpios.
- Oriente las boquillas de impulsión hacia abajo si se pueden ajustar.
- Cierre el tapón de fondo de la piscina.
- Pare la bomba de filtración.

3.3 | Puesta en funcionamiento

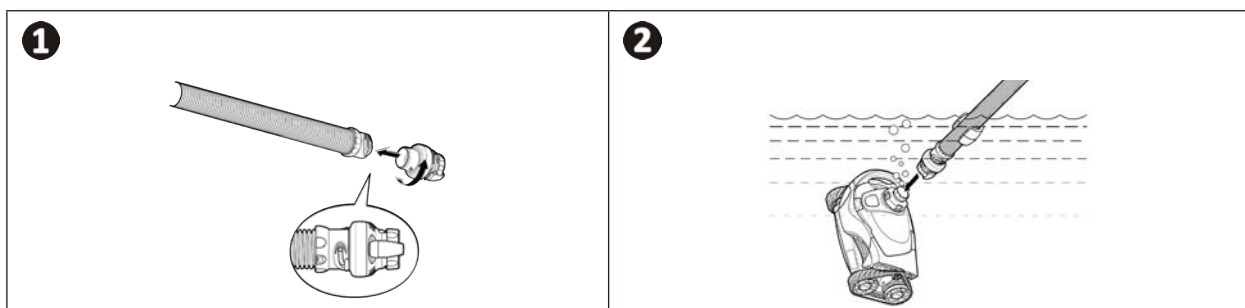


- Con el fin de evitar heridas graves, compruebe que la bomba de aspiración del robot esté parada.
- No exponga su cabello, prendas de vestir amplias, joyas, etc. al extremo abierto del tubo.

ES

3.3.1 Conexión del regulador de caudal e inmersión del robot

- Conecte la sección de tubo que tiene el flotador al regulador de caudal (ver imagen 1).
- Sumerja el robot para que se llene de agua.
- Cuando dejen de salir burbujas de aire del robot, conecte el tubo encajando el regulador de caudal en el robot (ver imagen 2).
- Deje que baje el robot hasta el fondo de la piscina.

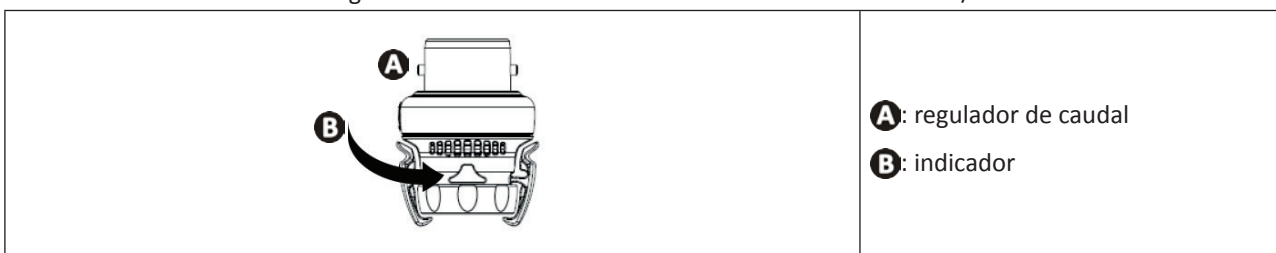


3.3.2 Llenado de los tubos

- Desconecte temporalmente el tubo de la toma de escobilla o del skimmer.
- Arranque la bomba de filtración.
- Llene el tubo de agua colocando el extremo delante de un tubo de descarga hasta que esté completamente lleno.
- Pare la bomba de filtración y conecte de nuevo el tubo a la toma de escobilla o al skimmer.
- Arranque la bomba para poner en marcha el robot.

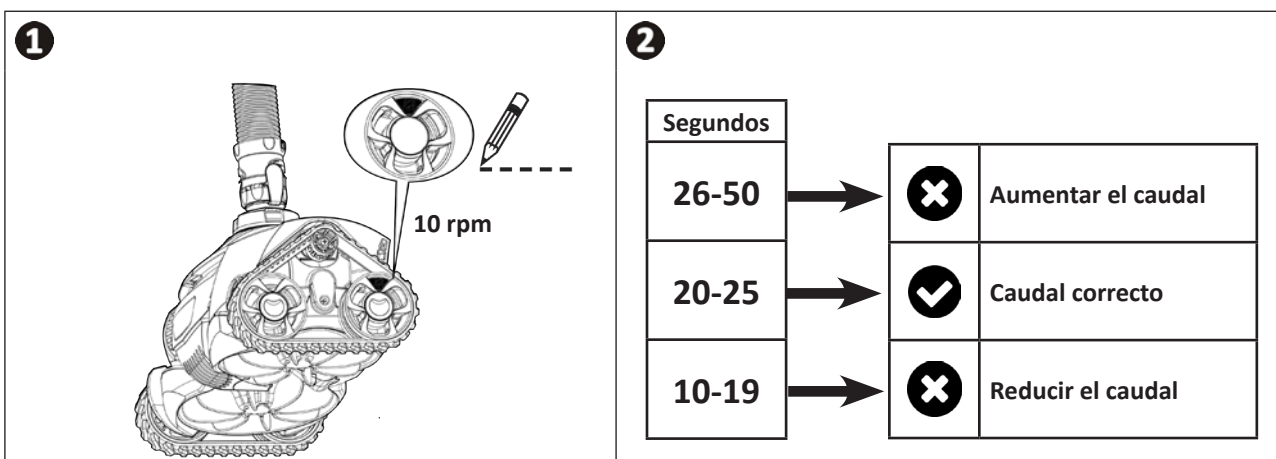
3.4 I Ajuste del caudal de agua

- La bomba de filtración debe estar encendida.
- Controle regularmente el caudal de agua para garantizar una limpieza óptima y facilitar la subida por las paredes del robot.
- El robot está equipado con un regulador de caudal que ajusta automáticamente el caudal de agua que circula por el robot. Indica si el caudal de agua es correcto o excesivo: **AMARILLO** = caudal correcto / **ROJO** = caudal excesivo



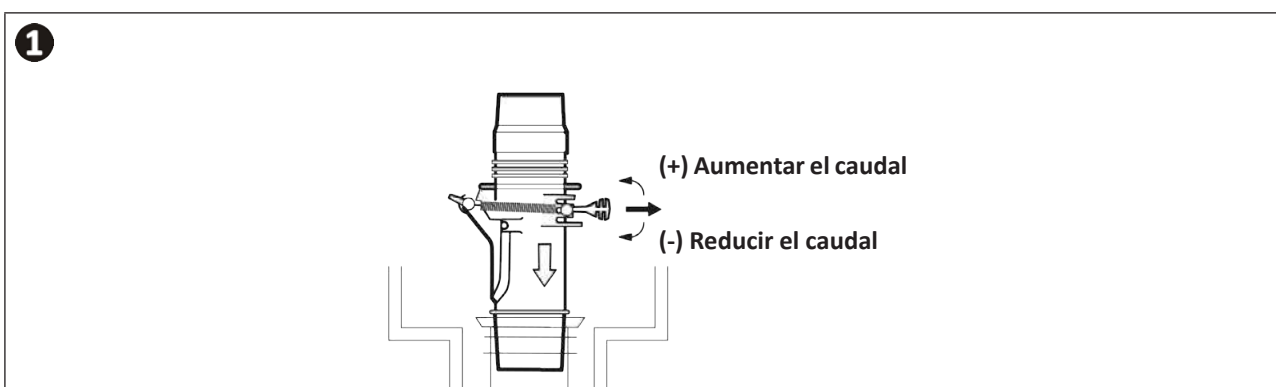
3.4.1 Controlar la velocidad de rotación de las ruedas

- La bomba de filtración debe estar encendida.
- Encienda la bomba de filtración (y provéase de un cronómetro).
- Coloque el robot justo debajo de la superficie del agua manteniéndolo sumergido.
- Identifique el indicador amarillo en la rueda trasera derecha (ver imagen 1).
- Para MX8 - MX8 PRO - MX9: Espere a que las ruedas cambien de sentido y cronometre el tiempo hasta que las ruedas hayan completado 10 vueltas (ver imagen 1).
- Ajuste el caudal de agua en función del tiempo medido (ver imagen 2).



3.4.2 Ajustar el caudal de agua

- Ajuste el caudal de agua mediante la válvula de ajuste automático de caudal suministrada con el aparato (ver imagen 1) o con las válvulas de la piscina.



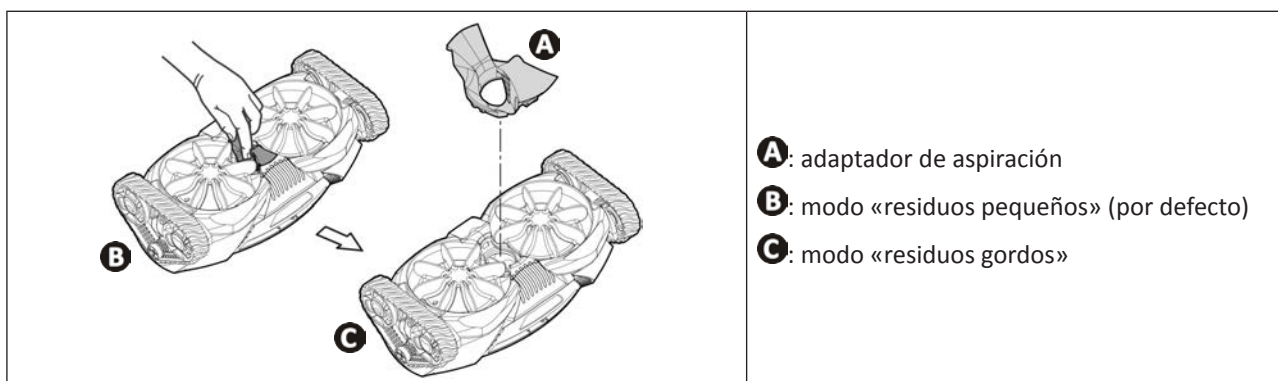
3.5 I Selección del modo de aspiración: residuos gordos o pequeños (según modelo)



Antes de comenzar esta operación y evitar lesiones graves:

- Pare la bomba de filtración.
- Desconecte el robot del tubo.

- El robot dispone de un adaptador de aspiración situado bajo el robot.
- El adaptador permite ajustar la aspiración según el tipo de residuos: **modo «residuos pequeños»** (residuos pequeños o pesados como arena, barro y piedras) y **modo «residuos gordos»** (hojas).
- **Para pasar al modo «residuos gordos»:** retire el adaptador introduciendo un dedo en él y levantando el borde posterior.
- **Para volver al modo de aspiración de «residuos pequeños»:** presione el borde delantero y el posterior del adaptador para engancharlo en su lugar.



Consejo: utilice el modo «residuos pequeños» en temporada de baño

Cuando la piscina se limpia regularmente, se recomienda dejar el adaptador de aspiración en su lugar para estar en modo «residuos pequeños».



4 Mantenimiento

- Limpie regularmente el aparato con agua clara o con agua jabonosa. No utilice disolvente.
- Aclare abundantemente el robot con agua clara.
- No almacene el robot expuesto a los rayos del sol. Guarde los tubos horizontalmente y no los enrolle para preservar su forma original.

4.1 | Limpieza del prefiltro de la bomba de filtración

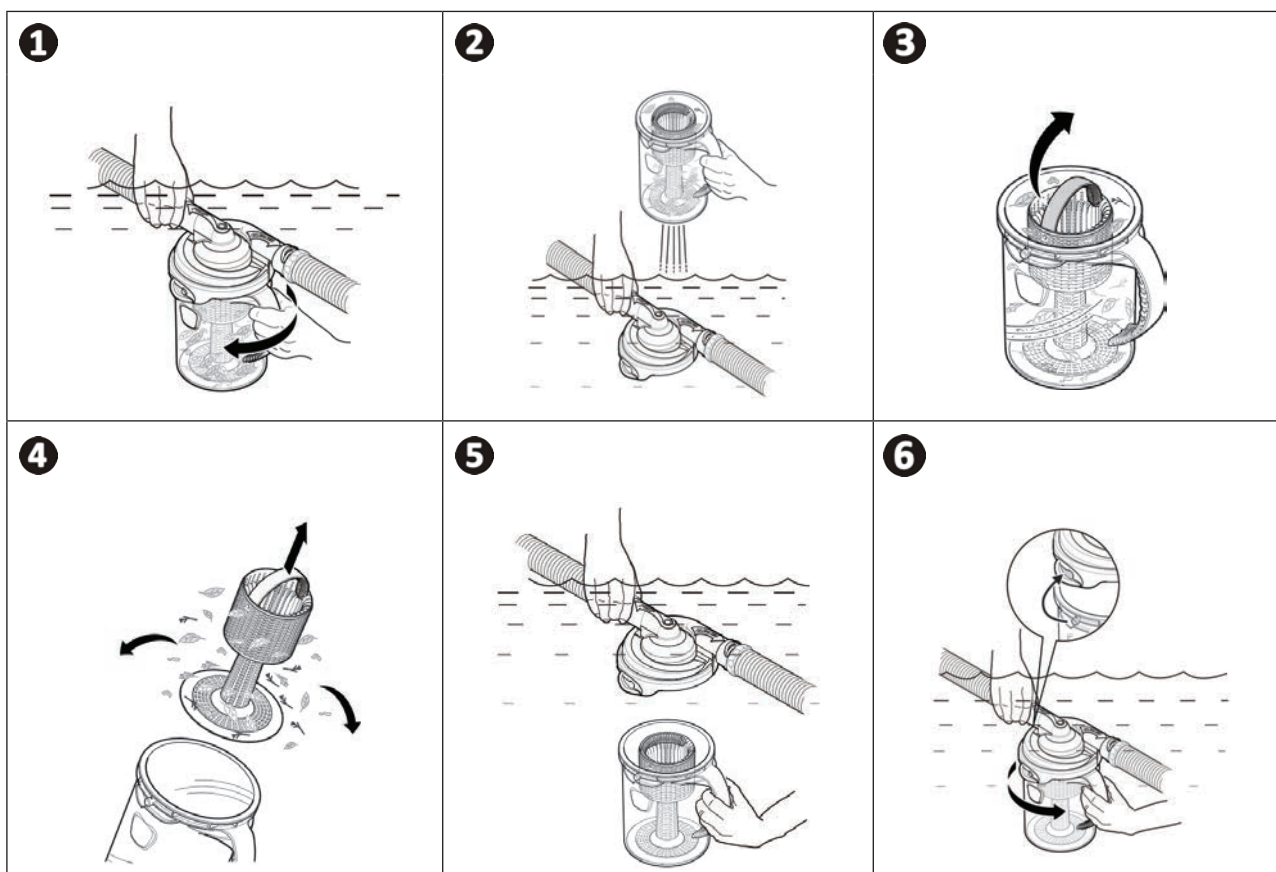


- Retire siempre el robot de la piscina antes de limpiar o de purgar el sistema de filtración.
- Tras la limpieza (y antes de volver a poner el robot en el agua), arranque la bomba de filtración durante al menos 5 minutos para purgar el circuito.

- Para una eficacia máxima del robot, es necesario vaciar regularmente el prefiltro de la bomba quitando todos los residuos acumulados.
- Conviene usar el recogehojas (acesorio incluido u opcional según el modelo) para recoger los residuos más grandes antes de que lleguen al skimmer y al prefiltro.

4.2 | Limpieza del recogehojas Cyclonic™ Leaf Catcher

- Pare la bomba de filtración.
- Mantenga el recogehojas dentro del agua y sujételo por el asa. Sosteniéndolo por el asa, gire el recipiente transparente hasta que se suelte (ver imagen 1).
- Retire el recipiente transparente del agua, manteniendo la tapa y los tubos debajo del agua (ver imagen 2).
- Retire el filtro ayudándose del asa (ver imagen 3).
- Retire los residuos y enjuague el recipiente transparente con agua limpia (ver imagen 4).
- Vuelva a poner el filtro en su lugar y sumerja el recogehojas (ver imagen 5).
- Posicione correctamente el recipiente transparente en las muescas de la tapa y luego gírelo firmemente para enganchar las 2 partes (ver imagen 6).



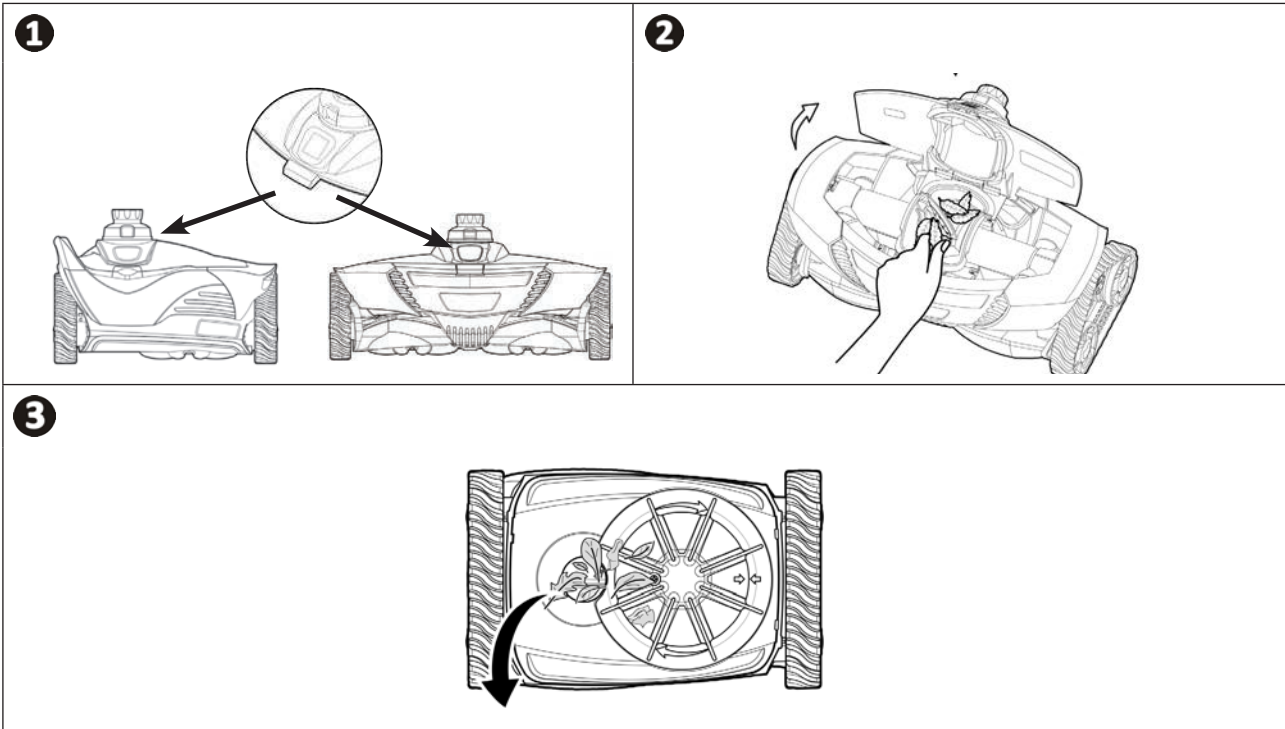
4.3 | Retirar los residuos del motor



Antes de comenzar esta operación y evitar lesiones graves:

- Pare la bomba de filtración.
- Desconecte el robot del tubo.

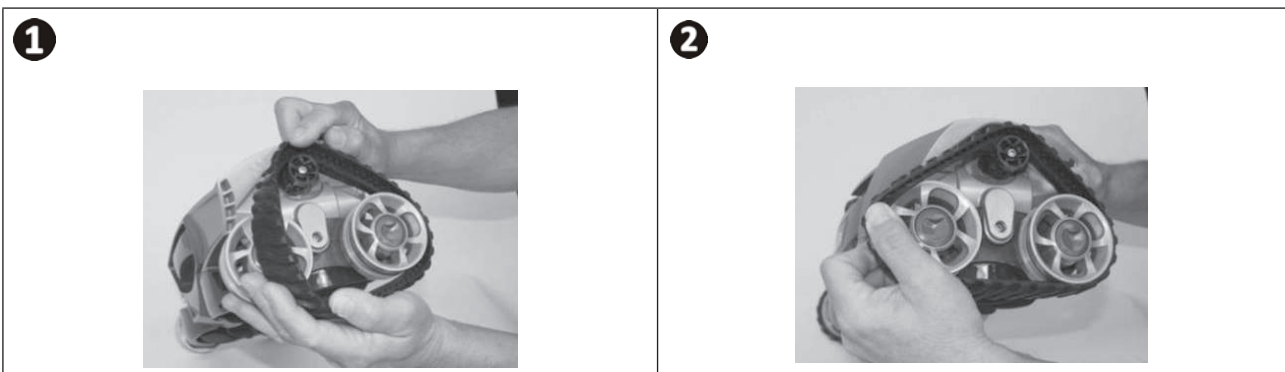
- Pulse el botón situado en la parte superior y levante la tapa (ver imagen 1).
- Retire los residuos que se encuentran en el interior (ver imagen 2) y bajo el robot (ver imagen 3).
- En caso necesario, empuje suavemente las palas del motor hacia adelante y hacia atrás para soltar los residuos atascados y poder quitarlos. Desplazando las palas, compruebe que las orugas del robot giran libremente y que se sincronizan bien con el movimiento de las palas situadas bajo el robot.
- Quite además cualquier residuo que esté atascado en la boca de aspiración.
- Vuelva a cerrar la tapa y compruebe que el cerrojo esté bien echado.



ES

4.4 | Cambio de las orugas

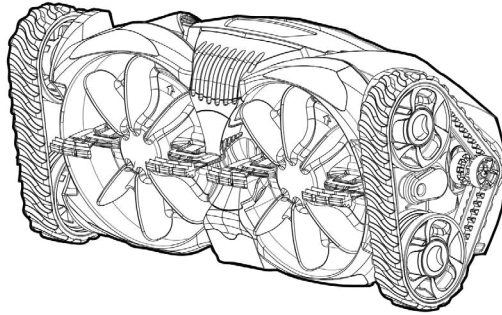
- Coloque el robot sobre un costado.
- Comenzando por una de las ruedas, tire del interior de la oruga para separarla de la rueda (ver imagen 1). Retire a continuación la oruga del robot.
- Para instalar la nueva oruga, coloque el lado interior de la oruga en las ranuras de la pequeña rueda y en una de las grandes ruedas.
- Estire la oruga alrededor de la última rueda (ver imagen 2). Presione la oruga de tal modo que se coloque correctamente en las ranuras de las ruedas. Compruebe que la oruga pase por debajo de la guía.



➤ 4.5 I Almacenamiento e invernaje

- Para el invernaje, vacíe toda el agua del robot (los daños vinculados a las heladas no están cubiertos por la garantía).
- Limpie el conjunto del aparato y de los tubos con agua clara y luego deje secar.
- Almacénelos en un lugar seco, protegido de las heladas. Coloque el robot sobre un costado o sobre la parte posterior para no dañar la turbina (ver imagen 1).
- Retire todos los conectores y adaptadores de la toma de escobilla o del skimmer.

1



Consejo: preserve el estado de los tubos durante el almacenamiento

Cuando el robot esté almacenado, incluso durante cortos periodos, evite enrollar los tubos, ya que pueden adoptar una forma que podría mermar el funcionamiento óptimo del robot.



5 Resolución de problemas



- Antes de contactar con su distribuidor, puede realizar simples verificaciones en caso de mal funcionamiento del aparato consultando las siguientes tablas.
- Si el problema persiste, contacte con su distribuidor.

5.1 I Funcionamiento del aparato

El robot está inmóvil o muy lento.	<ul style="list-style-type: none"> • Verifique que el tapón de fondo de su piscina esté bien cerrado. • Limpie y vacíe las cestas de los skimmers y el prefiltro de la bomba. • Verifique la zona del motor y retire todos los residuos visibles (ver apartado “4.3 I Retirar los residuos del motor”). • Retire el adaptador de aspiración bajo el robot (ver apartado “3.5 I Selección del modo de aspiración: residuos gordos o pequeños (según modelo)”). • Verifique el caudal (ver apartado “3.4 I Ajuste del caudal de agua”). • Encienda la bomba de filtración y verifique que no haya aire en el circuito de filtración. Si el prefiltro de la bomba de filtración está lleno de burbujas de aire o el nivel de agua es bajo, quiere decir que hay aire en el circuito de filtración. Si hay aire, se podrá apreciar también por el caudal de agua a la salida de las boquillas de impulsión. Se puede introducir aire en el sistema de filtración desde la parte de aspiración de la bomba (incluyendo la presencia de agujeros o grietas en una de las secciones de tubo). • Verifique que el revestimiento de la piscina no esté cubierto con algas que hagan que la superficie resulte deslizante y dificulten la tracción del robot y su subida por las paredes. En tal caso, proceda a una cloración de choque y baje ligeramente el pH.
El robot no se desplaza por toda la piscina.	<ul style="list-style-type: none"> • Verifique el caudal (ver apartado “3.4 I Ajuste del caudal de agua”). • Oriente las boquillas de impulsión hacia abajo si se pueden ajustar. • Compruebe la presencia de nudos en el tubo. Si el tubo presenta nudos, detenga el robot de limpieza y retire las secciones de tubo correspondientes. Coloque en posición horizontal y al sol las secciones de tubo donde se han formado los nudos hasta que se enderecen. Vuelva a instalar las secciones de tubo en el robot limpiador. • Verifique que el tubo sea suficientemente largo (ver apartado “2.2 I Ensamblaje de las secciones de tubos”). En caso contrario, añada secciones de tubo. • Verifique que la sección de tubo con flotador esté correctamente posicionada (ver apartado “2.2 I Ensamblaje de las secciones de tubos”). • Observe el robot durante más de cinco minutos y verifique que cada oruga cambie de dirección regularmente.
El robot se bloquea en las escaleras.	<ul style="list-style-type: none"> • Verifique que la junta giratoria colocada en la parte del robot gire libremente. • Pruebe el caudal controlando la velocidad de rotación de las ruedas (ver apartado “3.4.1 Controlar la velocidad de rotación de las ruedas”). • Verifique que el tubo no sea demasiado largo (ver apartado “2.2 I Ensamblaje de las secciones de tubos”). En caso contrario, acórtelo retirando secciones.
El robot no sube por las paredes.	<ul style="list-style-type: none"> • Verifique el caudal (ver apartado “3.4 I Ajuste del caudal de agua”) y aumentelo en caso necesario (ver apartado “3.4.2 Ajustar el caudal de agua”). • Verifique que el flotador del tubo esté correctamente posicionado (ver apartado “2.2 I Ensamblaje de las secciones de tubos”). • Verifique que las paredes no estén resbaladizas (presencia de algas).
El robot sobrepasa la línea de agua.	<ul style="list-style-type: none"> • Reduzca el caudal (ver apartado “3.4.2 Ajustar el caudal de agua”). • Verifique que el flotador del tubo esté correctamente posicionado (ver apartado “2.2 I Ensamblaje de las secciones de tubos”).
El robot está en el costado.	<ul style="list-style-type: none"> • Verifique que el flotador del tubo esté correctamente posicionado (ver apartado “2.2 I Ensamblaje de las secciones de tubos”).

Votre revendeur
Your retailer

Modèle appareil
Appliance model

Numéro de série
Serial number

Trouvez plus d'informations et enregistrez votre produit sur
More informations and register your product on

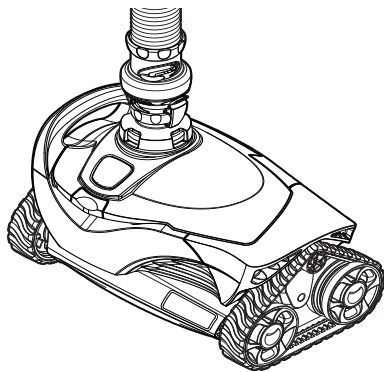
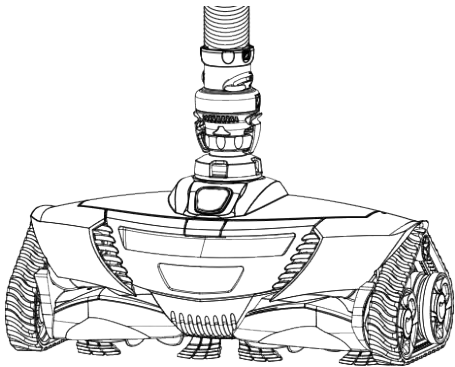
www.zodiac.com



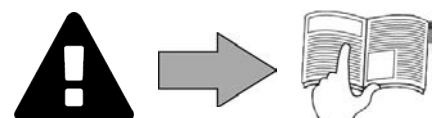
MX6[™]
MX630[™]
MX8[™]
MX8[™] PRO
MX9[™]

Notice d'installation et d'utilisation - Français
Robots hydrauliques
Instructions originales

FR



More documents on:
www.zodiac.com



AVERTISSEMENTS

AVERTISSEMENTS GÉNÉRAUX

- Le non-respect des avertissements pourrait causer des dommages à l'équipement de la piscine ou entraîner de graves blessures, voire la mort.
- Seule une personne qualifiée dans les domaines techniques concernés (électricité, hydraulique ou frigorifique), est habilitée à pratiquer cette procédure. Le technicien qualifié intervenant sur l'appareil doit utiliser/porter un équipement de protection individuel (tels que lunettes de sécurité, gants de protection, etc...) afin de réduire tout risque de blessure qui pourrait survenir lors de l'intervention sur l'appareil.
- Avant toute intervention sur l'appareil, s'assurer que celui-ci est hors tension et consigné.
- L'appareil est destiné à un usage spécifique pour les piscines et spas ; il ne doit être utilisé pour aucun autre usage que celui pour lequel il a été conçu.
- Il est important que l'appareil soit manipulé par des personnes compétentes et aptes (physiquement et mentalement), ayant reçu au préalable des instructions d'utilisation. Les personnes ne respectant pas ces critères ne devraient pouvoir avoir accès à l'appareil, afin d'éviter tout risque de dommages ou de blessures, y compris de décès.
- Tenir l'appareil hors de portée des enfants.
- L'installation de l'appareil doit être réalisée conformément aux instructions du fabricant et dans le respect des normes locales et nationales en vigueur. L'installateur est responsable de l'installation de l'appareil et du respect des réglementations nationales en matière d'installation. En aucun cas le fabricant ne pourra être tenu pour responsable en cas de non-respect des normes d'installation locales en vigueur.
- Pour toute autre action que l'entretien simple par l'utilisateur décrit dans cette notice, le produit doit être entretenu par un professionnel qualifié.
- Toute mauvaise installation et/ou utilisation peut entraîner des dégâts matériels, ou corporels sérieux (pouvant entraîner un décès),
- Tout matériel, même franco de port et d'emballage, voyage aux risques et périls du destinataire. Celui-ci doit faire des réserves écrites sur le bordereau de livraison du transporteur s'il constate des dommages provoqués au cours du transport (confirmation sous 48 heures par lettre recommandée au transporteur). Dans le cas d'un appareil contenant du fluide frigorigène, s'il a été renversé, émettre des réserves par écrit auprès du transporteur.
- En cas de dysfonctionnement de l'appareil : ne pas tenter de réparer l'appareil par vous-même et contacter un technicien qualifié.
- Se référer aux conditions de garantie pour le détail des valeurs de l'équilibre de l'eau admises pour le fonctionnement de l'appareil.
- Toute désactivation, élimination ou contournement de l'un des éléments de sécurité intégrés à l'appareil annule automatiquement la garantie, tout comme l'utilisation de pièces de remplacement provenant d'un fabricant tiers non autorisé.
- Ne pas vaporiser d'insecticide ou autre produit chimique (inflammable ou non-inflammable) vers l'appareil, il pourrait détériorer la carrosserie et provoquer un incendie.
- Les appareils Zodiac® de type pompes à chaleur, pompes de filtration, filtres sont compatibles avec la plupart des systèmes de traitement d'eau pour piscines.
- Ne pas toucher au ventilateur ni aux pièces mobiles et ne pas avoir de tige ni vos doigts à proximité des pièces mobiles pendant le fonctionnement de l'appareil. Les pièces mobiles peuvent entraîner des blessures graves, voire mortelles.

AVERTISSEMENTS LIÉS A DES APPAREILS ÉLECTRIQUES

- L'alimentation électrique de l'appareil doit être protégée par un dispositif de protection à courant différentiel résiduel de 30 mA dédié, en conformité avec les normes en vigueur en vigueur du pays d'installation.
- Ne pas utiliser de rallonge pour brancher l'appareil ; raccorder l'appareil directement à un circuit d'alimentation adapté.
- Avant toute opération, vérifier que :
 - La tension indiquée sur la plaque signalétique de l'appareil correspond bien à celle du réseau,
 - Le réseau d'alimentation convient à l'utilisation de l'appareil, et qu'il dispose d'une prise à la Terre,
 - La fiche d'alimentation (le cas échéant) s'adapte à la prise de courant.
- En cas de fonctionnement anormal, ou de dégagement d'odeur inhabituelle de l'appareil, arrêtez-le immédiatement, débrancher son alimentation et contacter un professionnel.
- Avant toute intervention sur l'appareil, s'assurer que celui-ci est hors tension et consigné, ainsi que tout autre équipement raccordé à l'appareil, et que la priorité chauffage (le cas échéant) est désactivée.
- Ne pas débrancher et rebrancher l'appareil en cours de fonctionnement.
- Ne pas tirer sur le câble d'alimentation pour le débrancher.
- Si le câble d'alimentation est abîmé, il doit être impérativement remplacé par le fabricant, son agent technique ou une personne qualifiée afin de garantir la sécurité.
- Ne pas réaliser d'entretien ou de maintenance de l'appareil les mains mouillées ou si l'appareil est mouillé.
- Nettoyer le bornier ou la prise d'alimentation avant tout raccordement.
- Pour tout élément ou sous ensemble contenant une pile : ne rechargez pas la pile, ne la démontez pas, ne la jetez pas dans un feu. Ne l'exposez pas à des températures élevées ou à la lumière directe du soleil.
- Par temps orageux, déconnecter l'appareil de l'alimentation électrique pour éviter qu'il ne soit endommagé par la foudre.
- Ne pas plonger l'appareil dans l'eau (sauf pour les robots de nettoyage) ou la boue.

SPÉCIFICITÉS « Robots nettoyeurs de piscine »

- Le robot doit fonctionner dans une eau de piscine dont la température comprise entre 15°C et 35°C.
- Afin d'éviter toute blessure ou dommage occasionné au robot nettoyeur, ne pas faire fonctionner le robot en dehors de l'eau.
- Afin d'éviter tout risque de blessure, la baignade est interdite lorsque votre robot est dans la piscine.
- Ne pas utiliser le robot si vous faites une chloration choc dans la piscine.
- Ne pas laisser le robot sans surveillance pendant une période prolongée.

AVERTISSEMENT CONCERNANT L'UTILISATION D'UN ROBOT DANS UNE PISCINE À REVÊTEMENT VINYLE :

- Avant d'installer votre nouveau robot nettoyeur, inspectez attentivement le revêtement de votre piscine. Si le liner s'effrite par endroits, ou si vous remarquez des graviers, des plis, des racines ou de la corrosion due à du métal sur la face inférieure du liner, ou si vous remarquez que le support (fond et murs) est endommagé, n'installez pas le robot avant d'avoir fait effectuer les réparations nécessaires ou fait remplacer le liner par un professionnel qualifié. Le fabricant ne pourra en aucun cas être tenu responsable des dégâts occasionnés au liner.
- La surface de certains revêtements vinyle à motifs peut s'user rapidement et les motifs peuvent disparaître au contact d'objets tels que brosses de nettoyage, jouets, bouées, distributeurs de chlore et nettoyeur automatique de piscine. Les motifs de certains revêtements vinyle peuvent être égratignés ou usés par simple frottement, tel qu'avec une brosse de piscine. La couleur de certains motifs peut également s'effacer pendant l'utilisation ou en cas de contact avec des objets présents dans la piscine. Les motifs effacés, l'usure ou l'égratignure des revêtements vinyle ne relèvent pas de la responsabilité du fabricant et ne sont pas couverts par la garantie limitée.

Recyclage



Ce symbole signifie que votre appareil ne doit pas être jeté à la poubelle. Il fera l'objet d'une collecte sélective en vue de sa réutilisation, de son recyclage ou de sa valorisation. S'il contient des substances potentiellement dangereuses pour l'environnement, celles-ci seront éliminées ou neutralisées.

Renseignez-vous auprès de votre revendeur sur les modalités de recyclage.



- Avant toute action sur l'appareil, il est impératif de prendre connaissance de cette notice d'installation et d'utilisation, ainsi que du livret «sécurité et garantie» livré avec l'appareil, sous peine de dommages matériels, de blessures graves, voire mortelles, ainsi que l'annulation de la garantie.
- Conserver et transmettre ces documents pour une consultation ultérieure tout au long de la vie de l'appareil.
- Il est interdit de diffuser ou de modifier ce document par quelque moyen que ce soit sans autorisation de Zodiac®.
- Zodiac® fait évoluer constamment ses produits pour en améliorer la qualité, les informations contenues dans ce document peuvent être modifiées sans préavis.

SOMMAIRE



1 Caractéristiques

3

1.1 | Descriptif

3

1.2 | Caractéristiques techniques et repérage

4



2 Installation

5

2.1 | Mise en situation

5

2.2 | Assemblage des sections de tuyaux

5

2.3 | Raccordements hydrauliques

6



3 Utilisation

8

3.1 | Principe de fonctionnement

8

3.2 | Préparation de la piscine

8

3.3 | Mise en fonctionnement

8

3.4 | Réglage du débit d'eau

9

3.5 | Choix du mode d'aspiration : petits ou gros débris (selon modèle)

10



4 Entretien

11

4.1 | Nettoyage du pré-filtre de la pompe de filtration

11

4.2 | Nettoyage du piège à feuilles «Cyclonic™ Leaf Catcher»

11

4.3 | Retirer les débris du moteur

12

4.4 | Changement des chenilles

12

4.5 | Stockage et hivernage

13



5 Résolution de problème

14

5.1 | Comportements de l'appareil

14



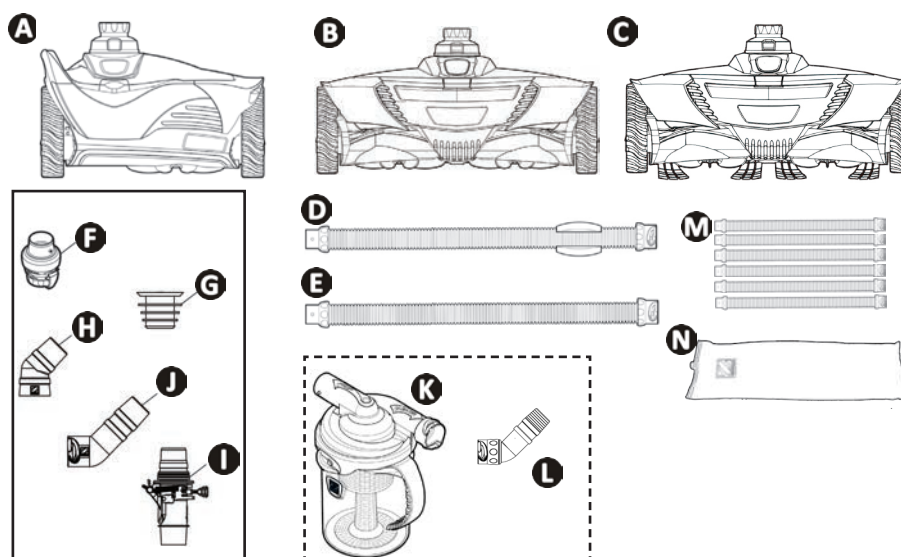
Conseil : pour faciliter le contact avec votre revendeur

Noter les coordonnées de votre revendeur pour les retrouver plus facilement, et compléter les informations «produit» au dos de la notice, ces informations vous seront demandées par votre revendeur.



1 Caractéristiques

1.1 I Descriptif



		MX™ 6 - MX™ 630	MX™ 8	MX™ 8 PRO	MX™ 9
A	Robot	✓			
B			✓	✓	
C					✓
D	Section de tuyau Twist Lock de 1 mètre avec flotteur (x1)	✓	✓	✓	✓
E	Section de tuyau Twist Lock de 1 mètre	✓ (x9)	✓ (x11)	✓ (x11)	✓ (x11)
F	Régulateur de débit	✓	✓	✓	✓
G	Adaptateur conique	✓	✓	✓	✓
H	Coude flexible 45°	✓	✓	✓	✓
I	Vanne de réglage automatique du débit	✓	✓	✓	✓
J	Coude allongé 45° Twist Lock	✓	✓		✓
K	Piège à feuilles «Cyclonic™ Leaf Catcher»	+	+	✓	+
L	Coude allongé 45° rotatif	+	+	✓	+
M	Jeu de 6 sections de tuyaux Twist Lock de 1 mètre	+	+	+	+
N	Sac d'hivernage pour tuyaux	+	+	+	+

✓ : Fourni

⊕ : Disponible en option

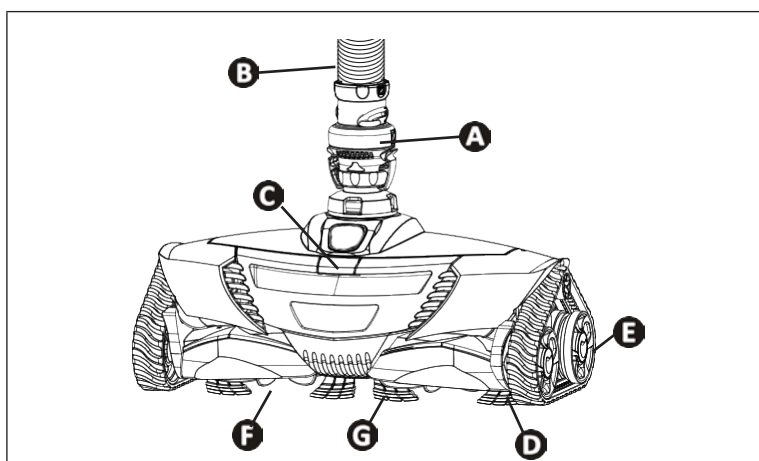
➤ 1.2 I Caractéristiques techniques et repérage

1.2.1 Caractéristiques techniques

	MX™ 6 - MX™ 630	MX™ 8	MX™ 8 PRO	MX™ 9
Dimensions robot (L x P x h)	31 x 19 x 22 cm	41 x 19 x 22 cm		
Dimensions emballage (L x P x h)	102 x 23 x 37 cm			
Poids robot	2,5 kg	3,2 kg		3,4kg
Poids emballé	8,2 kg	9,5 kg	10,5 kg	9,5kg
Largeur nettoyée théorique	25 cm	36 cm		
Capacité de filtration	Circuit de filtration de la piscine			
Puissance minimum requise de la pompe de filtration	3/4 CV			
Vitesse de déplacement	8 m/ min			

FR

1.2.2 Repérage

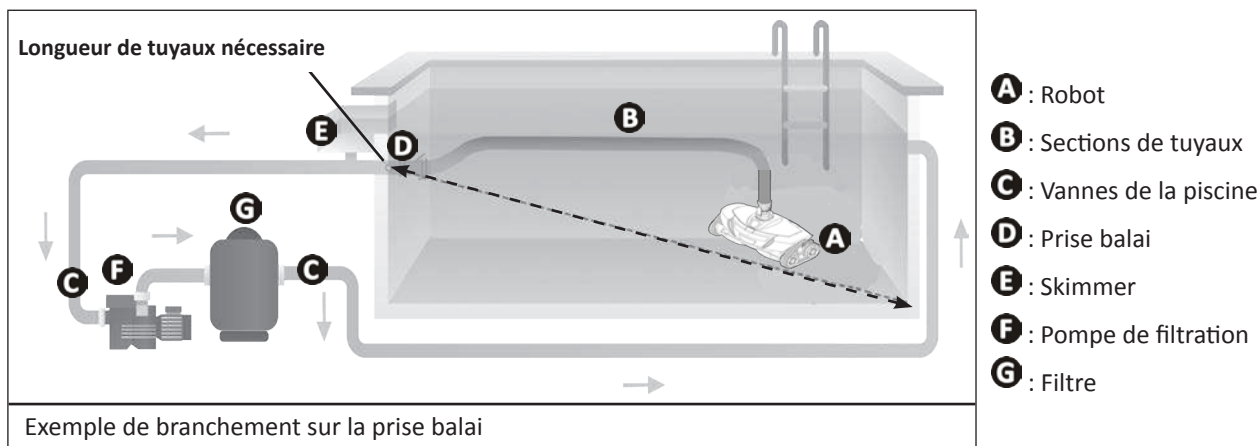


- A** : Régulateur de débit
- B** : Section de tuyau
- C** : Bouton d'ouverture du capot
- D** : Chenilles
- E** : Roues
- F** : Hélices
- G** : Brosses (selon modèle)



2 Installation

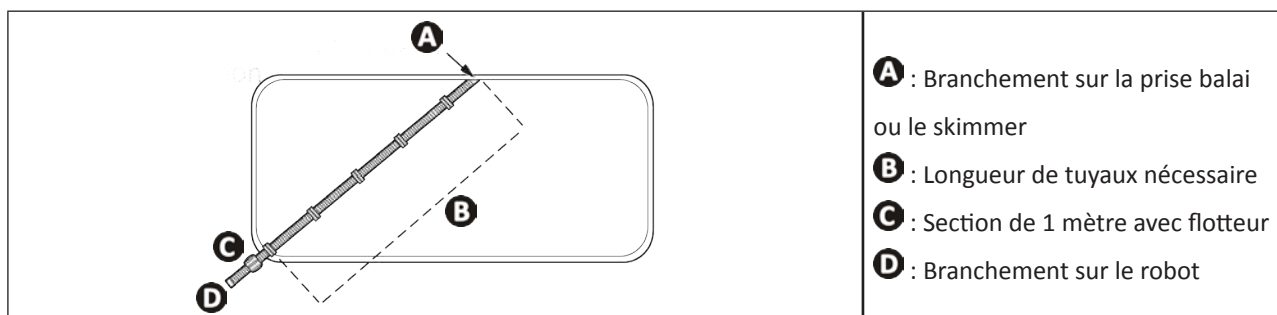
2.1 I Mise en situation



2.2 I Assemblage des sections de tuyaux

2.2.1 Déterminer le nombre de sections nécessaire

- Mesurer la longueur entre la prise balai ou le skimmer et le point le plus éloigné de la piscine.
- Ajouter 1 mètre supplémentaire à la longueur mesurée.
- Si la longueur totale est supérieure à 10 mètres (MX™6 - MX™630) ou 12 mètres (MX™8 - MX™8 PRO - MX™9), contacter votre revendeur pour acheter les sections de tuyaux supplémentaires.

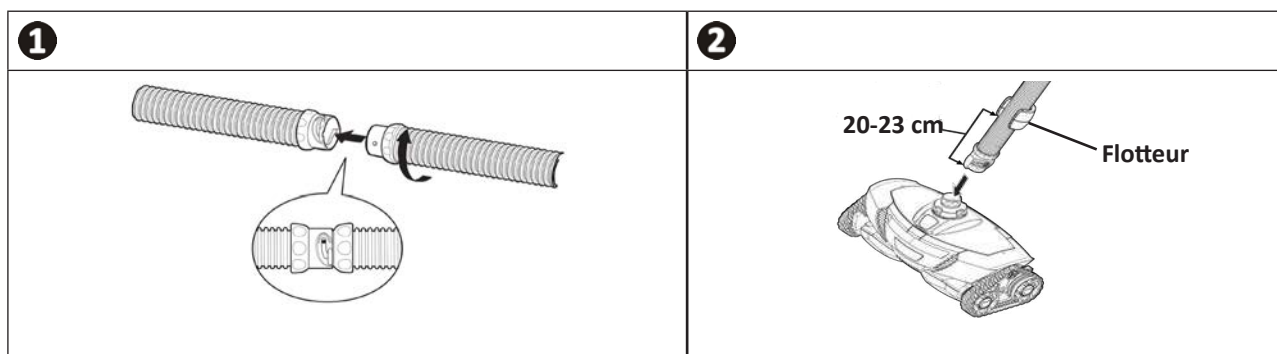


Conseil : assembler la «juste» quantité de sections de tuyaux

Il n'est pas recommandé d'assembler plus de sections de tuyaux que la longueur nécessaire pour couvrir tout le bassin. Une longueur trop grande pourrait limiter la performance de nettoyage du robot.

2.2.2 Assemblage des sections de tuyaux Twist Lock

- Pour assembler deux sections de tuyaux facilement grâce au système Twist Lock, emboîtez-les puis tournez-les jusqu'à ce que les connecteurs soient en butée maximale, dans un des 3 crans qui assurent l'étanchéité (voir image 1).
- La section de tuyau comprenant le flotteur sera raccordée au robot (voir image 2). Le flotteur doit être situé à **20-23 cm du robot** (voir image 2).

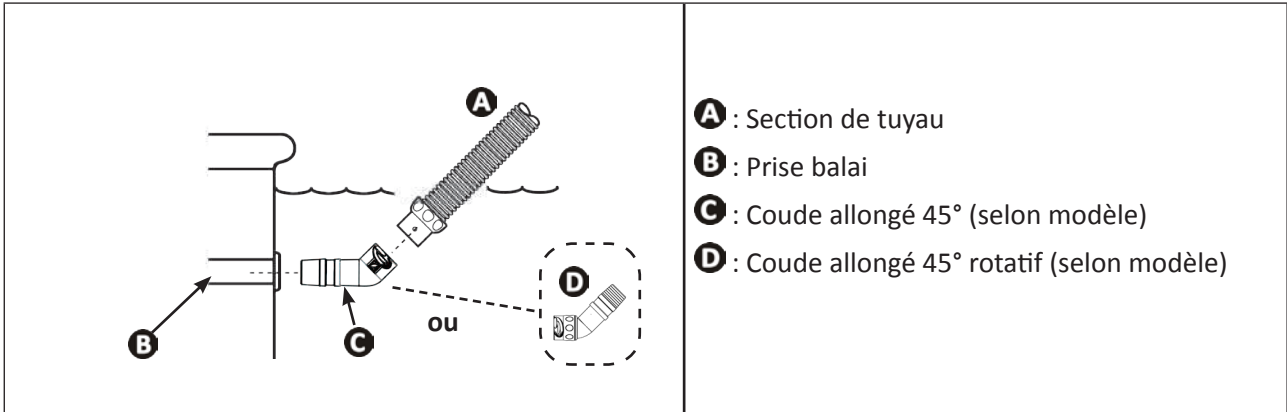


2.3 I Raccordements hydrauliques



- Arrêter la pompe de filtration.
- Nettoyer le panier du skimmer, le pré-filtre de la pompe de filtration, et le filtre si nécessaire.

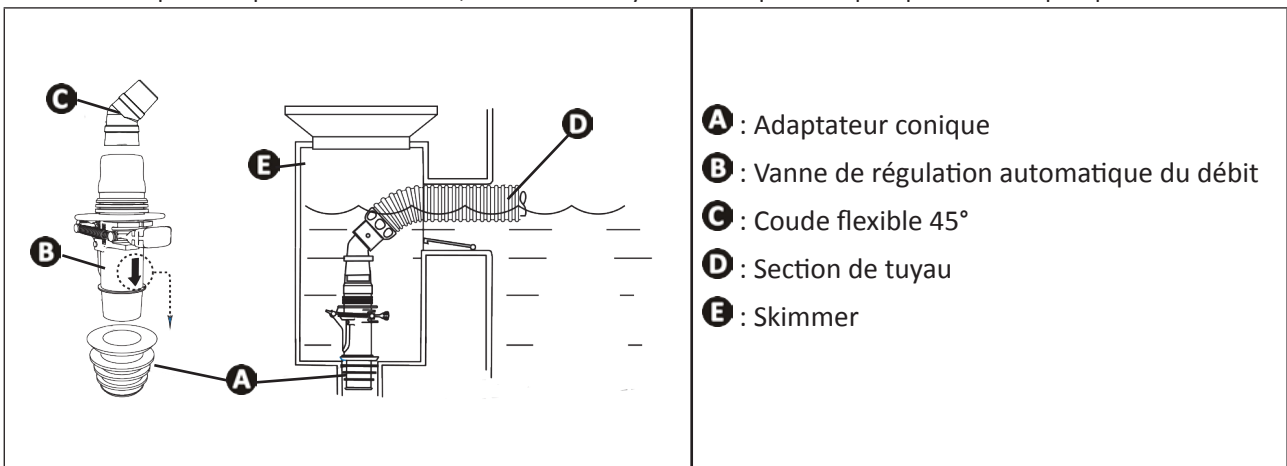
2.3.1 Raccordement sur la prise balai



FR

2.3.2 Raccordement sur le skimmer

- Si le bassin possède plusieurs skimmers, raccorder le tuyau à celui qui est le plus proche de la pompe de filtration.

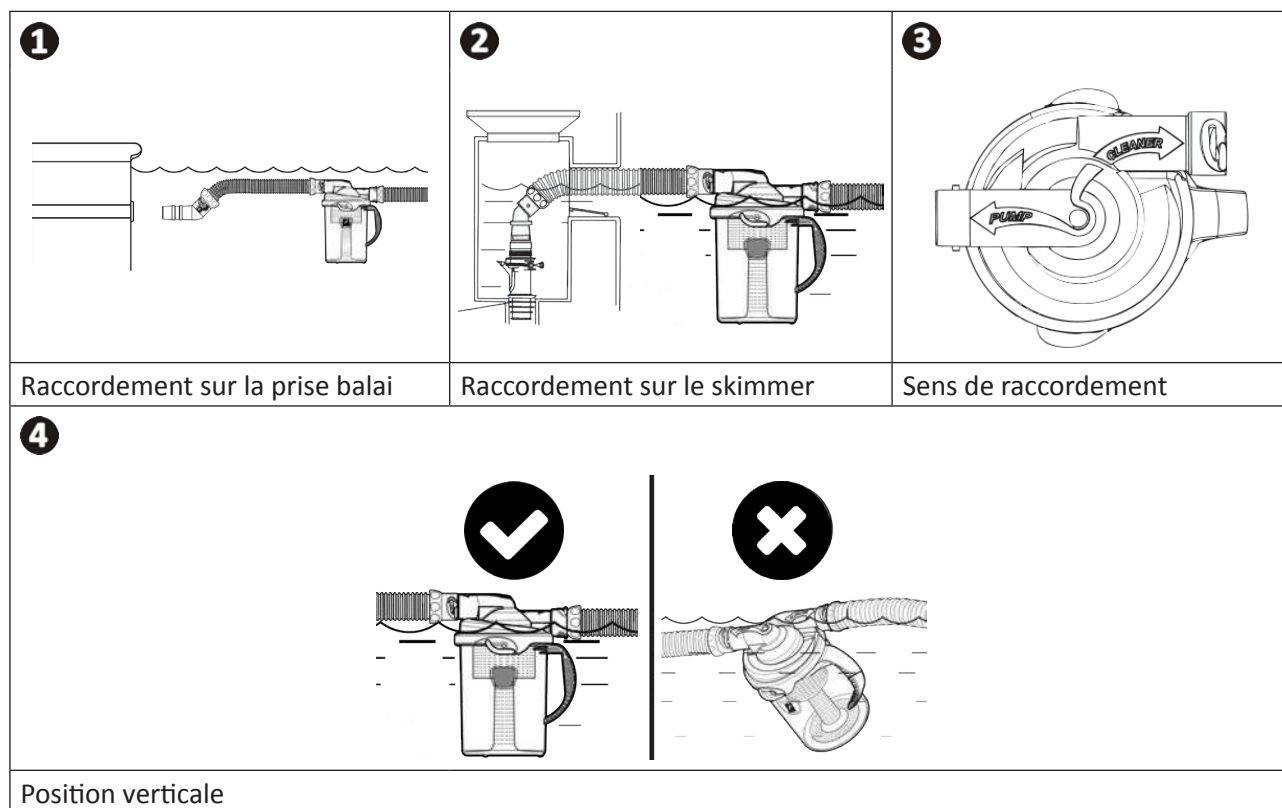


Conseil : Protéger le système de filtration en raccordant la vanne de régulation automatique du débit

Cette vanne permet d'ajuster le débit pour optimiser le nettoyage du robot, elle est aussi très utile pour retenir les éventuels débris qui pourraient être aspirés et endommager les équipements de filtration.

2.3.3 Raccordement du piège à feuilles «Cyclonic™ Leaf Catcher» (selon modèle)

- Raccorder le piège à feuilles au tuyau le plus proche de la prise balai ou du skimmer (voir image ❶ ou ❷).
- Orienter le piège à feuilles en suivant les indications : «PUMP» = côté pompe de filtration / «CLEANER» = côté robot (voir image ❸).
- Pour un fonctionnement optimal, positionner le piège à feuilles de façon verticale à la surface de l'eau (voir image ❹).



Conseil : Protéger le système de filtration en raccordant le piège à feuilles «Cyclonic™ Leaf Catcher»

Le piège à feuilles permet de retenir les débris avant qu'ils ne soient aspirés dans le système de filtration, au risque d'endommager les équipements à long terme. Il permet aussi de retirer les débris plus facilement que dans le pré-filtre de la pompe, et à l'avantage d'être transparent pour savoir à quel moment le nettoyer.



3 Utilisation

3.1 I Principe de fonctionnement

Les robots hydrauliques se raccordent au système de filtration (sur une prise balai ou un skimmer), ils utilisent l'énergie de la pompe de filtration pour se déplacer dans le bassin. La capacité de montée en paroi varie en fonction de la forme de la piscine et du débit d'eau disponible.

Les débris sont aspirés par le robot et capturés dans le pré-filtre de la pompe de filtration ou dans le piège à feuilles (accessoire inclus ou disponible en option selon modèle).

3.2 I Préparation de la piscine



- **Ce produit est destiné à une utilisation dans des piscines installées de manière permanente. Ne pas l'utiliser dans des piscines démontables. Une piscine permanente est construite dans ou sur le sol, et ne peut pas être facilement démontée et rangée.**

FR

- L'appareil doit fonctionner dans une eau de piscine dont la qualité est la suivante :

Température de l'eau	Entre 15°C et 35°C
pH	Entre 6.8 et 7.6
Chlore	< 3 mg/l

- Lorsque la piscine est sale, notamment lors de la première installation du robot, retirer les très gros débris à l'aide d'un balai manuel et d'une épuisette.
- Retirer thermomètres, jouets et autres objets qui pourraient endommager l'appareil.
- Après l'ajout de produits chimiques dans l'eau, attendre au moins 4 heures avant de mettre le robot dans l'eau.
- S'assurer que la filtration et les paniers des skimmers sont propres.
- Orienter les buses de refoulement vers le bas, si le réglage est possible.
- Fermer la bonde de fond de votre piscine.
- Arrêter la pompe de filtration.

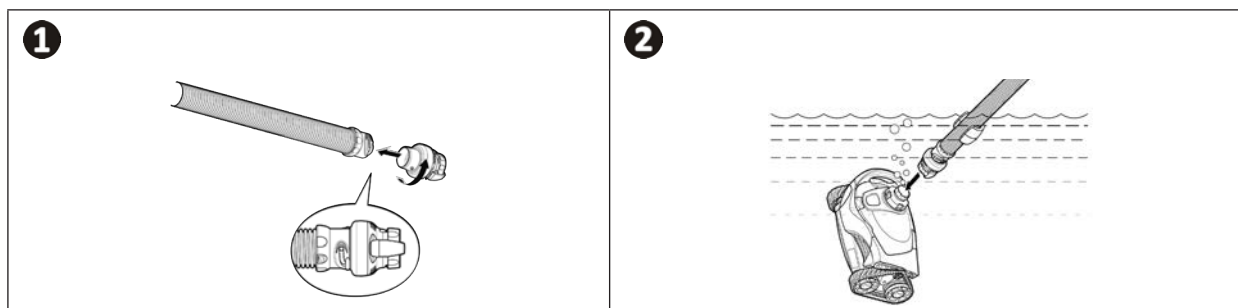
3.3 I Mise en fonctionnement



- **Afin d'éviter des blessures graves, s'assurer que la pompe de filtration est arrêtée.**
- **Ne pas exposer vos cheveux, vêtements amples, bijoux, etc. à l'extrémité ouverte du tuyau.**

3.3.1 Raccordement du régulateur de débit et immersion du robot

- Connecter la section de tuyau qui comporte le flotteur sur le régulateur de débit (voir image **1**).
- Immerger le robot pour qu'il se remplisse d'eau.
- Lorsque plus aucune bulle d'air ne s'échappe du robot, raccorder le tuyau en emboîtant le régulateur de débit sur le robot (voir image **2**).
- Laissez le robot descendre au fond du bassin.



3.3.2 Remplissage des tuyaux

- Débrancher temporairement le tuyau de la prise balai ou du skimmer.
- Démarrer la pompe de filtration.
- Remplir le tuyau d'eau en plaçant l'extrémité devant une buse de refoulement jusqu'à ce qu'il soit entièrement rempli.
- Arrêter la pompe de filtration et raccorder de nouveau le tuyau à la prise balai ou au skimmer.
- Démarrer la pompe pour faire fonctionner le robot.

➤ 3.4 I Réglage du débit d'eau

- La pompe de filtration doit être en fonctionnement.
- Contrôler régulièrement le débit d'eau pour s'assurer d'avoir un nettoyage optimal, et pour faciliter la montée en paroi du robot.
- Le robot est équipé d'un régulateur de débit qui ajuste automatiquement le débit d'eau qui circule dans le robot. Il indique si le débit d'eau est correct ou excessif : **JAUNE** = débit correct / **ROUGE** = débit excessif



3.4.1 Contrôler la vitesse de rotation des roues

- La pompe de filtration doit être en fonctionnement.
- Allumer la pompe de filtration (se munir d'un chronomètre).
- Remonter le robot sous la surface de l'eau en le maintenant immergé.
- Repérer l'indicateur jaune sur la roue arrière droite (voir image 1).
- Pour MX8 - MX8 PRO - MX9 : Attendre que les roues changent de sens et chronométrer le temps jusqu'à ce que les roues aient effectué 10 tours (voir image 1).
- Ajuster le débit d'eau en fonction du temps chronométré (voir image 2).

1

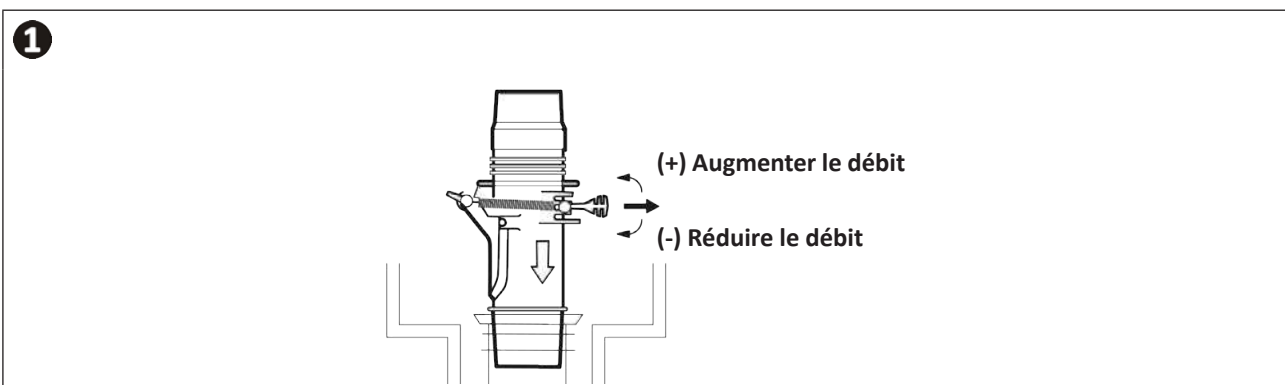
10 tours

2

Secondes		
26-50	➔	✗ Augmenter le débit
20-25	➔	✓ Débit correct
10-19	➔	✗ Réduire le débit

3.4.2 Ajuster le débit d'eau

- Ajuster le débit d'eau à l'aide de la vanne de régulation automatique du débit, fournie avec l'appareil (voir image 1), ou à partir des vannes de la piscine.



➤ 3.5 I Choix du mode d'aspiration : petits ou gros débris (selon modèle)

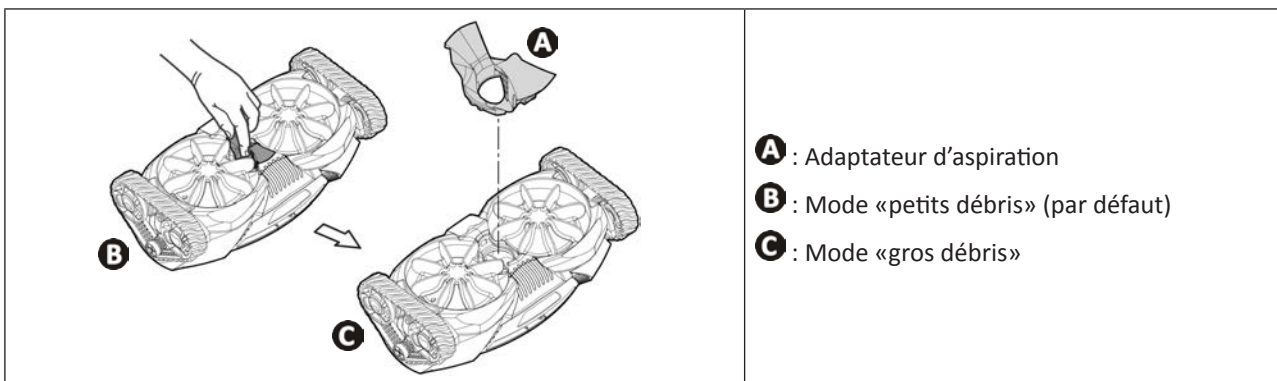


Avant de commencer cette opération et afin d'éviter des blessures graves :

- Arrêter la pompe de filtration.
- Débrancher le robot du tuyau.

- Le robot dispose d'un adaptateur d'aspiration, il est situé sous le robot.
- L'adaptateur permet d'ajuster l'aspiration selon le type de débris à aspirer : **mode «petits débris»** (débris de petites tailles ou débris lourds tels que le sable, la vase et les cailloux), **mode «gros débris»** (feuilles).
- **Pour passer en mode «gros débris»** : retirer l'adaptateur en insérant un doigt dedans et en soulevant le bord arrière.
- **Pour revenir en mode «petits débris»** : appuyer sur les bords avant et arrière de l'adaptateur pour le clipser dans son logement.

FR



Conseil : Privilégier le mode «petits débris» en saison de baignade

Lorsque la piscine est régulièrement nettoyée, il est recommandé de laisser l'adaptateur d'aspiration en place pour être en mode «petits débris».



4 Entretien

- L'appareil doit être nettoyé régulièrement à l'eau claire ou légèrement savonneuse. Ne pas utiliser de solvant.
- Rincer abondamment l'appareil à l'eau claire.
- Ne jamais stocker le robot en plein soleil. Stocker les tuyaux à plat, ne pas les enrouler afin de préserver la forme initiale des tuyaux.

➤ 4.1 | Nettoyage du pré-filtre de la pompe de filtration

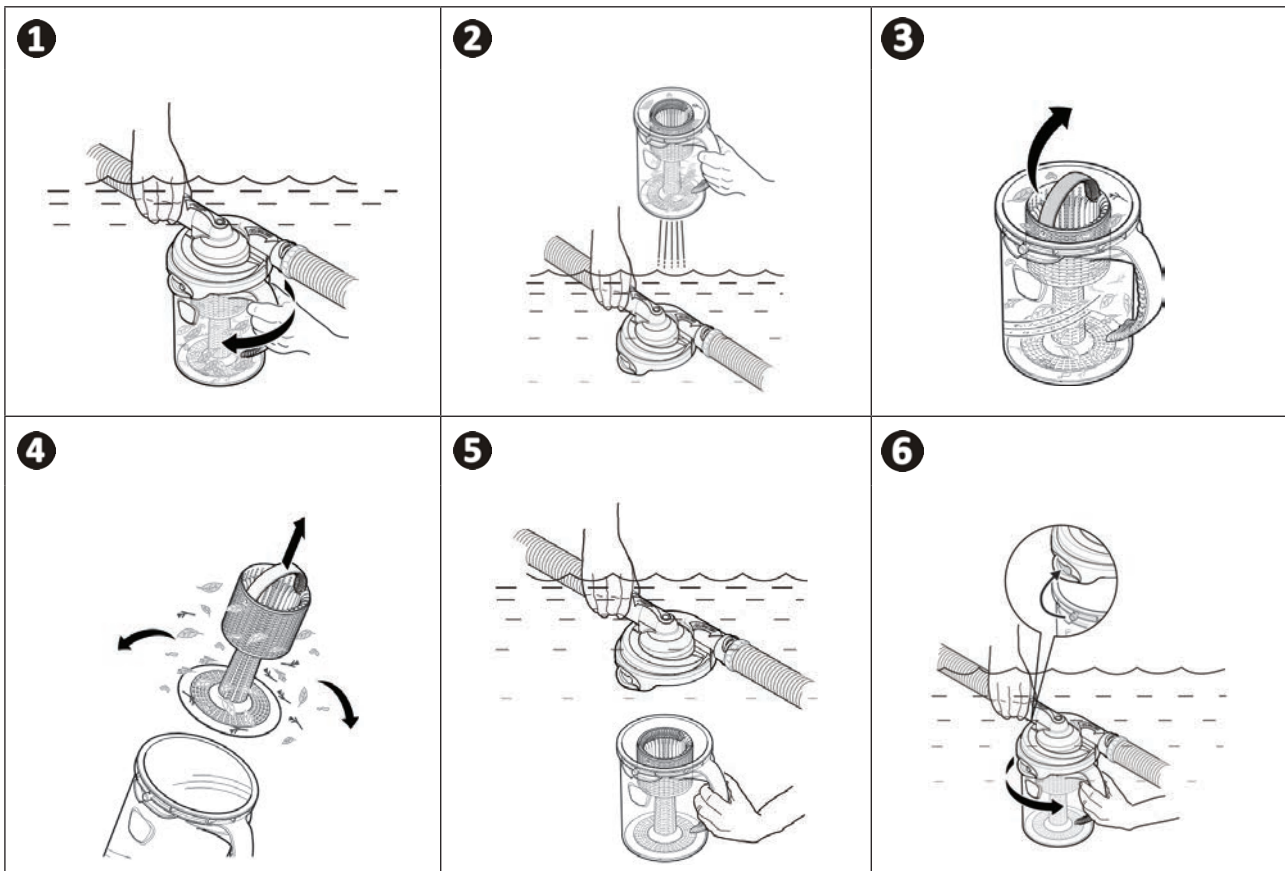


- Retirer toujours le robot de la piscine avant de nettoyer ou de purger le système de filtration.
- Après le nettoyage (et avant de remettre le robot dans l'eau), démarrer la pompe de filtration pendant au moins 5 minutes afin de purger le circuit.

- Pour une efficacité maximale du robot, il est nécessaire d'entretenir régulièrement le pré-filtre de la pompe, en retirant les débris.
- L'usage du piège à feuilles (accessoire inclus ou en option selon modèle) est recommandé afin de collecter les débris importants avant leur arrivée dans le skimmer et le pré-filtre.

➤ 4.2 | Nettoyage du piège à feuilles «Cyclonic™ Leaf Catcher»

- Arrêter la pompe de filtration.
- Maintenir le piège à feuilles sous l'eau et l'attraper par la poignée. A l'aide de la poignée, faire tourner le bac transparent jusqu'à ce qu'il se détache (voir image ➊).
- Retirer le bac transparent de l'eau, laisser le couvercle et les tuyaux sous l'eau (voir image ➋).
- Retirer le filtre à l'aide de la poignée du dessus (voir image ➌).
- Retirer les débris et rincer le bac transparent à l'eau claire (voir image ➍).
- Remettre le filtre en place, puis immerger de nouveau le piège à feuilles (voir image ➎).
- Positionner correctement le bac transparent au niveau des encoches du couvercle, puis tourner fermement pour enclencher les 2 parties (voir image ➏).



4.3 I Retirer les débris du moteur

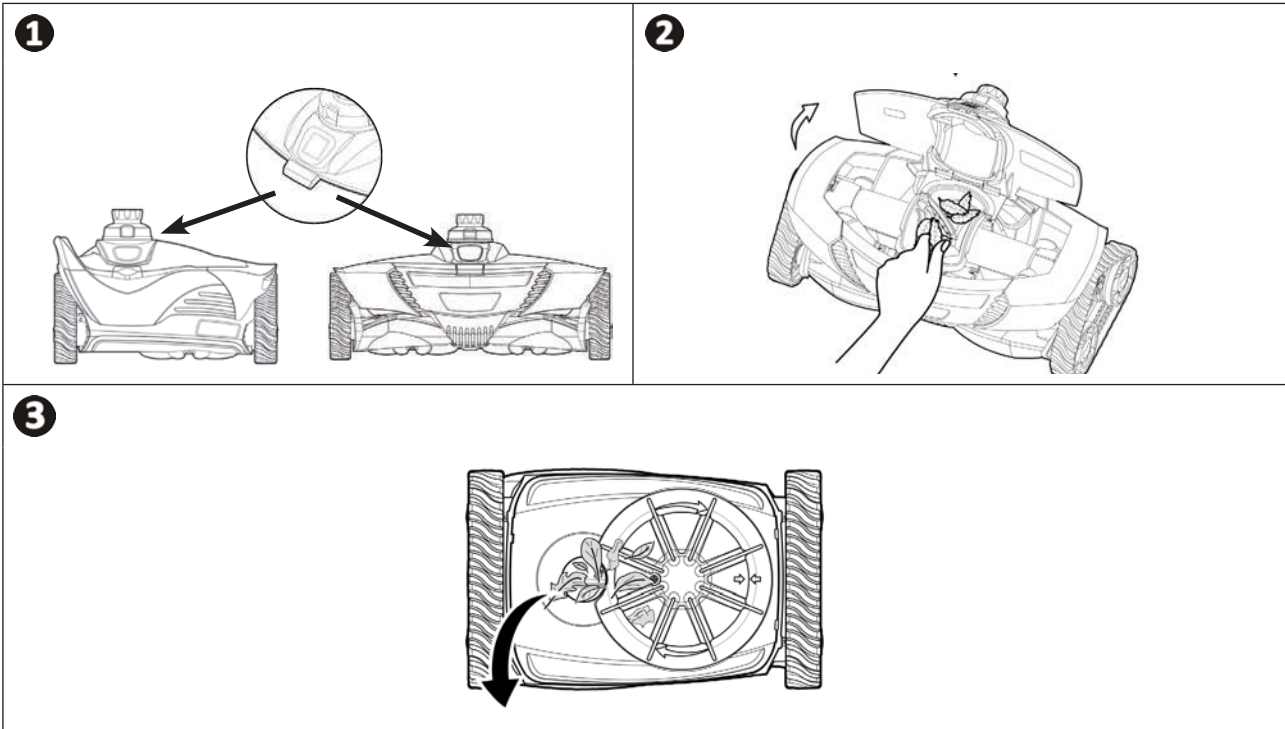


Avant de commencer cette opération et afin d'éviter des blessures graves :

- Arrêter la pompe de filtration.
- Débrancher le robot du tuyau.

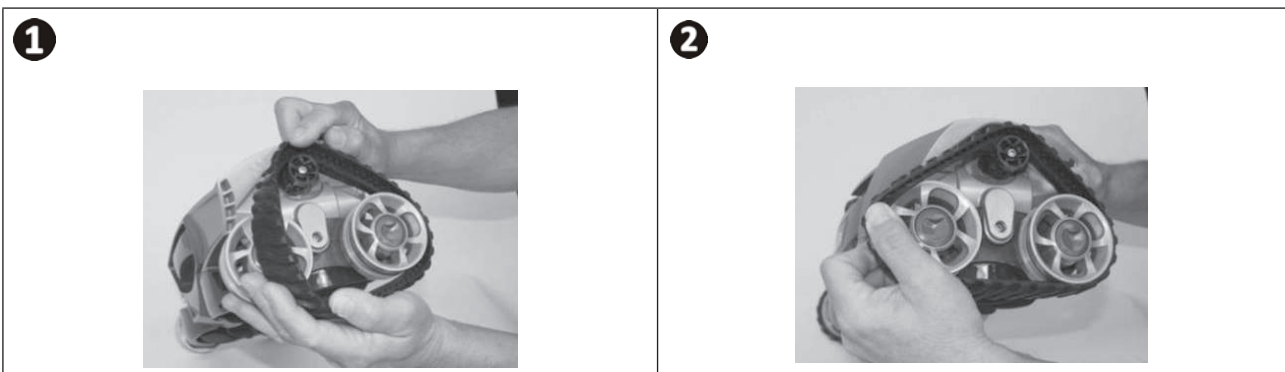
- Appuyer sur bouton du dessus et soulever le capot (voir image 1).
- Retirer les débris situés à l'intérieur (voir image 2) et également sous le robot (voir image 3).
- Si nécessaire, pousser doucement les pales du moteur en avant et en arrière pour libérer les débris coincés et les retirer. En déplaçant les pales, s'assurer que les chenilles du robot tournent librement et qu'elles sont bien synchronisées avec le mouvement des pales situées sous le robot.
- Retirer également les débris qui seraient coincés dans la bouche d'aspiration.
- Refermer le capot, et s'assurer que le verrou est bien enclenché.

FR



4.4 I Changement des chenilles

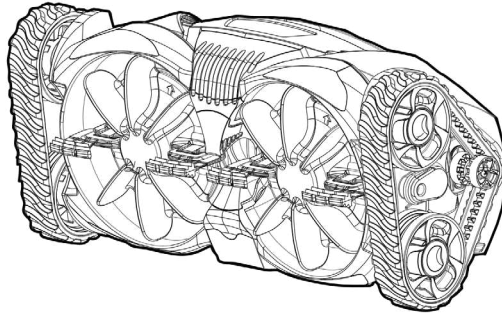
- Poser le robot sur un côté.
- En commençant par l'une des roues, tirer sur l'intérieur de la chenille pour la séparer de la roue (voir image 1). Retirer ensuite la chenille du robot.
- Pour installer la nouvelle chenille, positionner le côté intérieur de la chenille sur les rainures de la petite roue et sur l'une des grosses roues.
- Étirer la chenille autour de la dernière roue (voir image 2). Appuyer sur la chenille de façon à la positionner correctement sur les rainures des roues. S'assurer que la chenille passe sous le guide.



➤ 4.5 I Stockage et hivernage

- Pour l'hivernage, vider toute l'eau du robot (les dégâts liés au gel ne sont pas couverts par la garantie).
- Nettoyer l'ensemble de l'appareil et les tuyaux à l'eau claire, puis laisser sécher.
- Les stocker dans un endroit sec, hors gel. Poser le robot sur le côté ou sur le dos pour ne pas endommager la turbine (voir image 1).
- Retirer tous les connecteurs et adaptateurs de la prise balai ou du skimmer.

1



Conseil : Préserver l'état des tuyaux pendant le stockage

Lorsque le robot est rangé, même pendant de courtes périodes, éviter d'enrouler les tuyaux : ceux-ci peuvent adopter une forme qui pourrait nuire aux performances du robot.



5 Résolution de problème



- Avant de contacter votre revendeur, nous vous invitons à procéder à de simples vérifications en cas de dysfonctionnement à l'aide des tableaux suivants.
- Si le problème persiste, contacter votre revendeur.

5.1 I Comportements de l'appareil

FR

<p>Le robot est immobile ou très lent.</p>	<ul style="list-style-type: none"> • Vérifier que la bonde de fond soit bien fermée. • Nettoyer et vider les paniers des skimmers et le pré-filtre de la pompe. • Contrôler la zone du moteur et retirer tous les débris visibles (voir § «4.3 I Retirer les débris du moteur»). • Retirer l'adaptateur d'aspiration sous le robot (voir § «3.5 I Choix du mode d'aspiration : petits ou gros débris (selon modèle)»). • Vérifier le débit (voir § «3.4 I Réglage du débit d'eau»). • Mettre la pompe de filtration en fonctionnement et vérifier qu'il n'y ait pas d'air dans le circuit de filtration. Si le pré-filtre de la pompe de filtration est rempli de bulles d'air et, ou que le niveau d'eau est bas, cela indique qu'il y a de l'air dans le circuit de filtration. Si il y a de l'air, cela se verra aussi par le débit d'eau à la sortie des buses de refoulement. L'air peut s'introduire dans le circuit de filtration depuis la partie aspiration de la pompe (incluant la présence de trous ou fissures dans l'une des sections de tuyau). • Vérifier que le revêtement du bassin n'est pas couvert d'algues qui rendent la surface glissante et affectent la traction du robot et la montée en paroi. Dans ce cas, procéder à une chloration choc et baisser légèrement le pH.
<p>Le robot ne se déplace pas partout dans le bassin.</p>	<ul style="list-style-type: none"> • Vérifier le débit (voir § «3.4 I Réglage du débit d'eau»). • Diriger les buses de refoulement vers le bas, si le réglage est possible. • Vérifier la présence de boucles sur le tuyau. Si le tuyau a adopté une forme de boucle, arrêter le robot nettoyeur et retirer les sections de tuyau concernées. Placer les sections de tuyau sur lesquelles des boucles se sont formées à plat au soleil jusqu'à ce que ces sections se redressent. Reinstaller les sections de tuyau sur le robot nettoyeur. • Vérifier que le tuyau est assez long (voir § «2.2 I Assemblage des sections de tuyaux»). Dans le cas contraire, ajouter des sections de tuyau. • Vérifier que la section de tuyau avec flotteur est correctement positionnée (voir § «2.2 I Assemblage des sections de tuyaux»). • Observer le robot pendant plus de cinq minutes et vérifier que chaque chenille change de direction régulièrement.
<p>Le robot bloque sur les escaliers.</p>	<ul style="list-style-type: none"> • Vérifier que le joint tournant placé sur le dessus du robot tourne librement. • Tester le débit en contrôlant la vitesse de rotation des roues (voir § «3.4.1 Contrôler la vitesse de rotation des roues»). • Vérifier que le tuyau n'est pas trop long (voir § «2.2 I Assemblage des sections de tuyaux»). Dans le cas contraire, le raccourcir en retirant des sections.
<p>Le robot ne monte pas sur les parois.</p>	<ul style="list-style-type: none"> • Vérifier le débit (voir § «3.4 I Réglage du débit d'eau») et l'augmenter si nécessaire (voir § «3.4.2 Ajuster le débit d'eau»). • Vérifier que le flotteur du tuyau est correctement positionné (voir § «2.2 I Assemblage des sections de tuyaux»). • Vérifier que les parois ne soient pas glissantes (présence d'algues).
<p>Le robot dépasse la ligne d'eau.</p>	<ul style="list-style-type: none"> • Réduire le débit (voir § «3.4.2 Ajuster le débit d'eau»). • Vérifier que le flotteur du tuyau est correctement positionné (voir § «2.2 I Assemblage des sections de tuyaux»).
<p>Le robot est sur le côté.</p>	<ul style="list-style-type: none"> • Vérifier que le flotteur du tuyau est correctement positionné (voir § «2.2 I Assemblage des sections de tuyaux»).

Votre revendeur
Your retailer

Modèle appareil
Appliance model

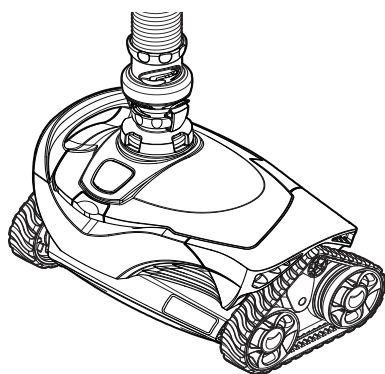
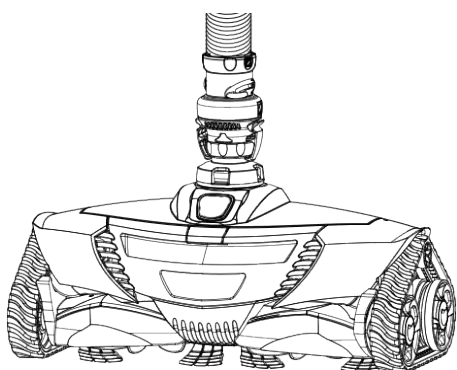
Numéro de série
Serial number

Trouvez plus d'informations et enregistrez votre produit sur
More informations and register your product on

www.zodiac.com



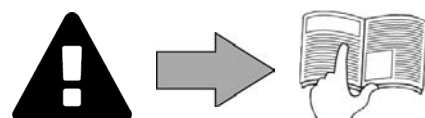
MX6™
MX630™
MX8™
MX8™ PRO
MX9™



Manuale di installazione e di uso - Italiano
Robot idraulico
Traduzione delle istruzioni originali in francese

IT

More documents on:
www.zodiac.com



AVVERTENZE

AVVERTENZE GENERALI

- Il mancato rispetto delle avvertenze potrebbe causare danni all'attrezzatura della piscina o comportare ferite gravi, se non addirittura il decesso.
- Solo personale qualificato nei settori tecnici interessati (elettrico, idraulico o della refrigerazione) è abilitato ad eseguire questa procedura. Il tecnico qualificato che interviene sull'apparecchio deve utilizzare/indossare un dispositivo di protezione individuale (quali occhiali di sicurezza, guanti di protezione, ecc.) per ridurre il rischio di lesioni che potrebbero verificarsi durante l'intervento sull'apparecchio.
- Prima di qualsiasi intervento sull'apparecchio, accertarsi che non sia collegato alla rete elettrica e fuori servizio.
- L'apparecchio è destinato all'utilizzo esclusivo per le piscine e le Spa, non deve essere utilizzato per scopi diversi da quelli per i quali è stato progettato.
- È importante che l'apparecchio sia maneggiato da personale competente e idoneo (fisicamente e mentalmente) che sia a conoscenza delle istruzioni d'uso. Le persone non rispondenti a questi criteri non dovrebbero poter avere accesso all'apparecchio per evitare il rischio di danni o lesioni, compreso il decesso.
- Tenere l'apparecchio fuori dalla portata dei bambini.
- L'installazione dell'apparecchio deve essere eseguita conformemente alle istruzioni del produttore e nel rispetto delle normative locali e nazionali in vigore. L'installatore è responsabile dell'installazione dell'apparecchio e del rispetto delle normative nazionali vigenti in materia di installazione. In alcun caso il fabbricante potrà essere ritenuto responsabile in caso di mancato rispetto delle norme d'installazione locali vigenti.
- Per operazioni di manutenzione diverse da quelle semplici descritte nel presente manuale che possono essere realizzate dall'utilizzatore, è necessario rivolgersi a un tecnico specializzato.
- Un'installazione /o un utilizzo errati possono comportare danni materiali o corporali gravi (che possono causare il decesso).
- Il materiale, anche se spedito in porto franco, viaggia a rischio e pericolo del destinatario. Quest'ultimo, in caso di constatazione di danni riconducibili al trasportatore, deve apporre la dicitura "accettato con riserva" sulla distinta di trasporto (seguita da conferma entro 48 ore per lettera raccomandata al trasportatore). In caso di apparecchio contenente fluido refrigerante, se è stato ribaltato, formulare delle riserve per iscritto al trasportatore.
- In caso di malfunzionamento dell'apparecchio: non cercare di riparare l'apparecchio da soli e contattare un tecnico qualificato.
- Fare riferimento alle condizioni di garanzia per conoscere i valori di equilibrio dell'acqua ammessi per il funzionamento dell'apparecchio.
- La disattivazione, l'eliminazione o l'aggiramento di uno degli elementi di sicurezza dell'apparecchio annulla automaticamente la garanzia al pari dell'utilizzo di pezzi di ricambio di un terzo non autorizzato.
- Non spruzzare insetticida o altro prodotto chimico (infiammabile o non infiammabile) in direzione dell'apparecchio, potrebbe deteriorare la scocca e causare un incendio.
- Gli apparecchi Zodiac® quali pompe di calore, pompe di filtrazione, filtri sono compatibili con tutti i sistemi di trattamento dell'acqua per piscine.
- Non toccare il ventilatore né i componenti mobili e non posizionare una barra né le dita vicino ai componenti mobili quando l'apparecchio è in funzione. I componenti mobili possono provocare ferite gravi che possono anche portare al decesso.

AVVERTENZE LEGATE AGLI APPARECCHI ELETTRICI

- L'alimentazione elettrica dell'apparecchio deve essere protetta da un dispositivo di protezione a corrente differenziale residua di 30 mA dedicato, conformemente alle norme vigenti nel paese di installazione.
- Non utilizzare una prolunga per collegare l'apparecchio; collegarlo direttamente a un circuito di alimentazione adatto.
- Prima di qualunque operazione verificare che:
 - La tensione indicata sulla targhetta segnaletica dell'apparecchio corrisponde a quella della rete elettrica,
 - La rete elettrica è adatta all'uso dell'apparecchio e dispone di una presa di terra,
 - La scheda di alimentazione (se presente) si adatta alla presa di corrente.
- In caso di funzionamento anomalo, o se l'apparecchio emana un odore insolito, spegnerlo immediatamente, staccare la corrente e contattare un tecnico.
- Prima di qualsiasi intervento sull'apparecchio, assicurarsi che sia scollegato e fuori servizio così come tutte le altre attrezzature che vi sono collegate e che la priorità riscaldamento (se presente) sia disattivata.
- Non scollegare e ricollegare l'apparecchio quando è in funzione.
- Non tirare il cavo di alimentazione per scollegarlo.
- Se il cavo di alimentazione è danneggiato, va tassativamente sostituito dal produttore, da un tecnico incaricato della manutenzione o da un soggetto qualificato, per garantire la sicurezza.
- Non effettuare operazioni di manutenzione dell'apparecchio con le mani bagnate o se l'apparecchio è bagnato.
- Pulire la morsettiera o la presa di alimentazione prima del collegamento.
- Per tutti gli elementi o sottoinsiemi che contengono una pila: non ricaricare la pila, non smontarla, non gettarla nel fuoco. Non esporla a temperature elevate o alla luce diretta del sole.
- In caso di tempo burrascoso, scollegare l'apparecchio di alimentazione per evitare che sia danneggiato da un fulmine.
- Non immergere l'apparecchio in acqua (eccetto i robot per la pulizia) o nel fango.


CARATTERISTICHE TECNICHE "Robot pulitori per piscina"

- Il robot deve funzionare nell'acqua della piscina che abbia una temperatura compresa tra 15°C e 35°C.
- Per evitare lesioni o danni causati dal robot pulitore, non far funzionare il robot fuori dell'acqua.
- Per evitare il rischio di lesioni, è vietato fare il bagno quando il robot si trova nella piscina.
- Non utilizzare il robot se si effettua una clorazione d'urto della piscina.
- Non lasciare il robot incustodito per un periodo prolungato.

AVVISO RIGUARDANTE L'USO DEL ROBOT IN UNA PISCINA CON RIVESTIMENTO VINILICO:

- Prima di installare il nuovo robot pulitore, ispezionare attentamente il rivestimento della piscina. Se il liner è sgretolato in alcuni punti, o se si notano ghiaia, pieghe, radici o corrosione dovuta al metallo sul lato inferiore del liner, o se il supporto (fondo e pareti) è danneggiato, non installare il robot prima di aver proceduto ad effettuare le riparazioni necessarie o aver fatto sostituire il liner da personale qualificato. Il produttore non potrà in alcun caso essere ritenuto responsabile dei danni arrecati al liner.
- La superficie di alcuni rivestimenti vinilici con motivi può usurarsi rapidamente e i motivi possono scomparire a contatto di oggetti quali spazzole di pulizia, giocattoli, boe, distributori di cloro e pulitori automatici per piscina. I motivi di alcuni rivestimenti vinilici possono essere graffiati o usurati dal semplice sfregamento, come quello di una spazzola da piscina. Anche il colore di alcuni motivi può sbiadirsi durante l'uso o in caso di contatto con oggetti presenti nella piscina. I motivi sbiaditi, l'usura o il graffio dei rivestimenti vinilici esulano dalla responsabilità di Zodiac® e non sono coperti dalla garanzia limitata.

Riciclaggio

 Questo simbolo indica che l'apparecchio non può essere smaltito come rifiuto ordinario. Sarà destinato alla raccolta differenziata in vista del suo riutilizzo, riciclaggio o valorizzazione. Se contiene sostanze potenzialmente dannose per l'ambiente, saranno eliminate o neutralizzate.

Informarsi presso il proprio rivenditore sulle modalità di riciclaggio.



- Prima di qualsiasi intervento sull'apparecchio, è necessario leggere il presente manuale di installazione e d'uso e il libretto "sicurezza e garanzia" consegnato con l'apparecchio, per evitare il rischio di gravi danni materiali o ustioni gravi che possono portare al decesso e l'annullamento della garanzia.
- Conservare questi documenti per consultarli in futuro per tutta la durata di vita dell'apparecchio.
- È vietato diffondere o modificare il presente documento con qualunque mezzo senza l'autorizzazione di Zodiac®.
- Zodiac® fa evolvere continuamente i suoi prodotti per migliorarne la qualità, pertanto le informazioni contenute nel presente documento possono essere modificate senza preavviso.

SOMMARIO



1 Caratteristiche

3

1.1 | Descrizione

3

1.2 | Caratteristiche tecniche e individuazione

4



2 Installazione

5

2.1 | Posizionamento

5

2.2 | Assemblaggio delle sezioni di tubo

5

2.3 | Collegamento idraulico

6



3 Uso

8

3.1 | Principio di funzionamento

8

3.2 | Preparazione della piscina

8

3.3 | Avviamento

8

3.4 | Regolazione della portata dell'acqua

9

3.5 | Scelta della modalità di aspirazione: piccoli o grossi detriti (a seconda del modello)

10



4 Manutenzione

11

4.1 | Pulizia del prefiltro della pompa di filtrazione

11

4.2 | Pulizia dell'aspirafoglie "Cyclonic™ Leaf Catcher"

11

4.3 | Togliere i detriti dal motore

12

4.4 | Sostituzione dei cingoli

12

4.5 | Stoccaggio invernale

13



5 Risoluzione dei problemi

14

5.1 | Comportamento dell'apparecchio

14



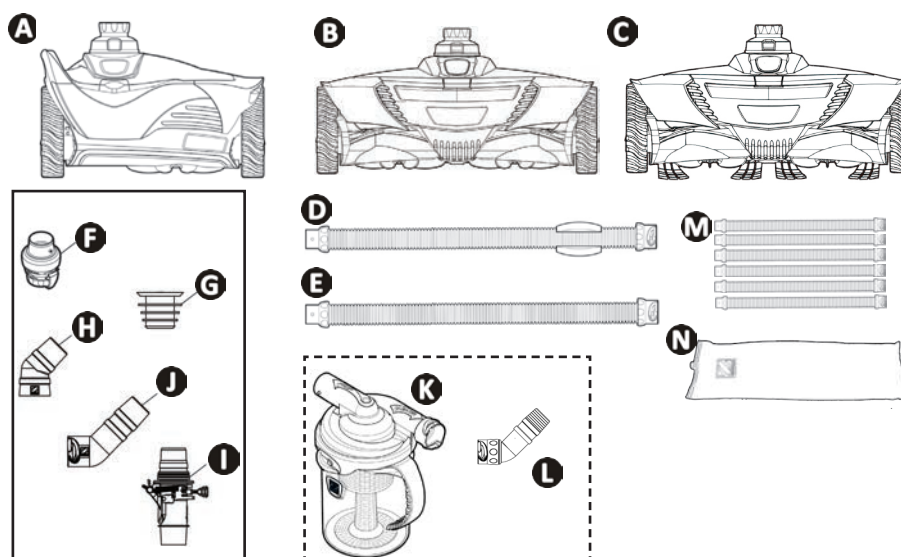
Consiglio: per agevolare il contatto con il rivenditore di fiducia

Annotare i recapiti del rivenditore per ritrovarli più facilmente e compilare le informazioni sul "prodotto" sul retro del manuale, queste informazioni saranno richieste dal rivenditore.



1 Caratteristiche

1.1 | Descrizione



		MX™ 6 - MX™ 630	MX™ 8	MX™ 8 PRO	MX™ 9
A	Robot	✓			
B			✓	✓	
C					✓
D	Sezione di tubo Twist Lock da 1 metro con galleggiante (x1)	✓	✓	✓	✓
E	Sezione di tubo Twist Lock da 1 metro	✓ (x9)	✓ (x11)	✓ (x11)	✓ (x11)
F	Regolatore di portata	✓	✓	✓	✓
G	Adattatore conico	✓	✓	✓	✓
H	Gomito flessibile 45°	✓	✓	✓	✓
I	Valvola di regolazione automatica di portata	✓	✓	✓	✓
J	Gomito allungato 45° Twist Lock	✓	✓		✓
K	Aspirafoglie "Cyclonic™ Leaf Catcher"	+	+	✓	+
L	Gomito allungato 45° rotativo	+	+	✓	+
M	Set di 6 sezioni di tubo Twist Lock da 1 metro	+	+	+	+
N	Sacca di stoccaggio invernale per tubi	+	+	+	+

✓ : Fornito

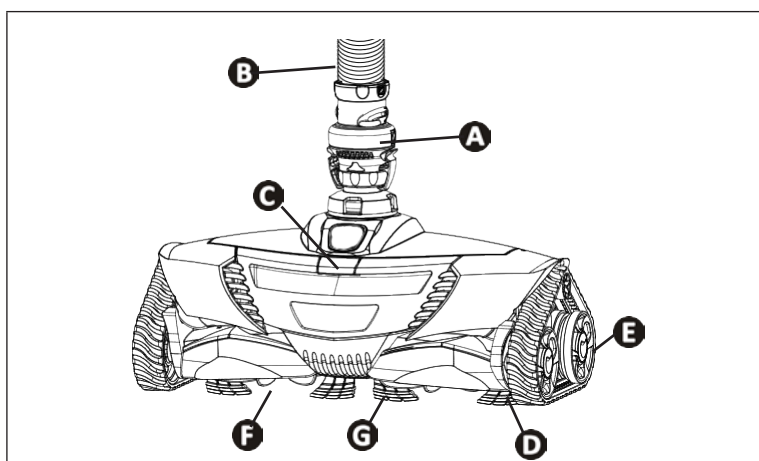
⊕ : Disponibile in opzione

➤ 1.2 I Caratteristiche tecniche e individuazione

1.2.1 Caratteristiche tecniche

	MX™ 6 - MX™ 630	MX™ 8	MX™ 8 PRO	MX™ 9
Dimensioni del robot (L x P x h)	31 x 19 x 22 cm	41 x 19 x 22 cm		
Dimensioni imballo (L x P x h)	102 x 23 x 37 cm			
Peso del robot	2,5 kg	3,2 kg		3,4kg
Peso imballato	8,2 kg	9,5 kg	10,5 kg	9,5kg
Larghezza pulita teorica	25 cm	36 cm		
Capacità di filtrazione	Circuito di filtrazione della piscina			
Potenza minima richiesta per la pompa di filtrazione	3/4 CV			
Velocità di spostamento	8 m/ min			

1.2.2 Individuazione

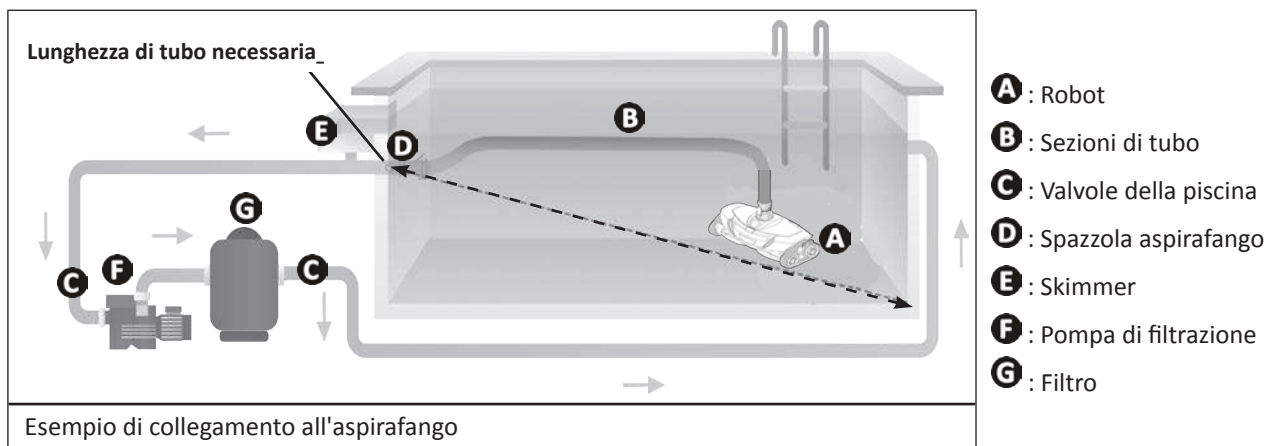


- A** : Regolatore di portata
- B** : Sezione di tubo
- C** : Pulsante di apertura del coperchio
- D** : Cingoli
- E** : Ruote
- F** : Eliche
- G** : Spazzole (a seconda del modello)



2 Installazione

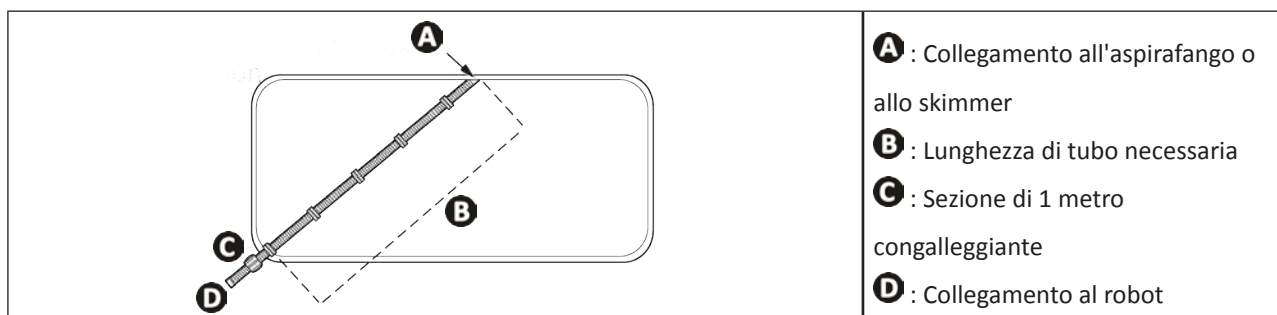
2.1 I Posizionamento



2.2 I Assemblaggio delle sezioni di tubo

2.2.1 Determinare il numero di sezioni necessario

- Misurare la distanza tra l'aspirafango o lo skimmer e il punto più lontano della piscina.
- Aggiungere 1 altro metro alla lunghezza misurata.
- Se la lunghezza totale supera i 10 metri (MX™6 - MX™630) o i 12 metri (MX™8 - MX™8 PRO - MX™9), contattare il rivenditore per acquistare le sezioni di tubo supplementari.

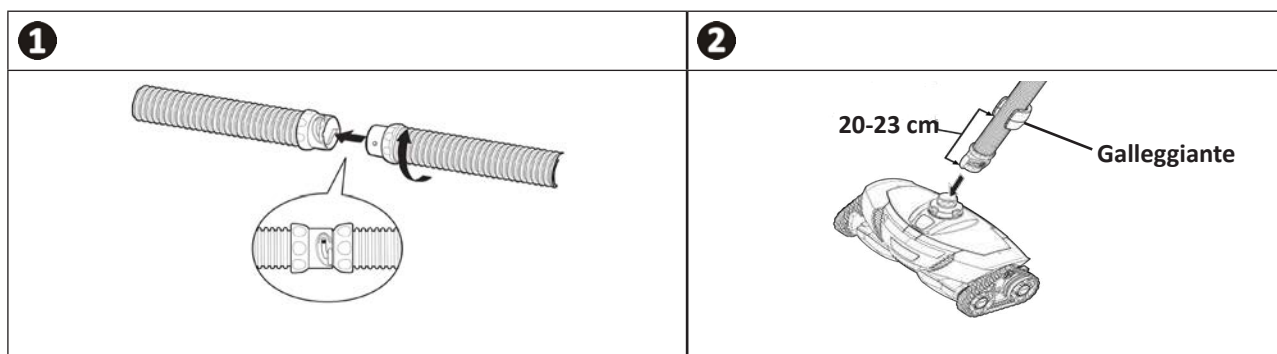


Consiglio: assemblare la quantità "giusta" di sezioni di tubo

Si consiglia di non assemblare sezioni di tubo in eccesso rispetto a quelle necessarie per coprire tutta la lunghezza della vasca. Una lunghezza eccessiva potrebbe limitare l'efficacia pulente del robot.

2.2.2 Assemblaggio delle sezioni di tubo Twist Lock

- Per assemblare due sezioni di tubo facilmente grazie al sistema Twist Lock, incastrarle poi ruotarle fino a che i connettori non si incastrino perfettamente in una delle 3 tacche che ne garantiscono l'impermeabilità (vedere immagine 1).
- La sezione di tubo che comprende il galleggiante sarà collegata al robot (vedere immagine 2). Il galleggiante deve trovarsi a **20-23 cm dal robot** (vedere immagine 2).

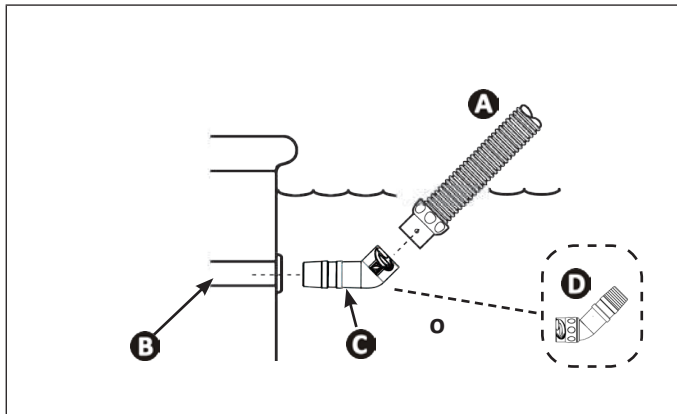


2.3 I Collegamento idraulico



- Arrestare la pompa di filtrazione.
- Pulire il cestello dello skimmer, il prefiltro della pompa di filtrazione e il filtro, se necessario.

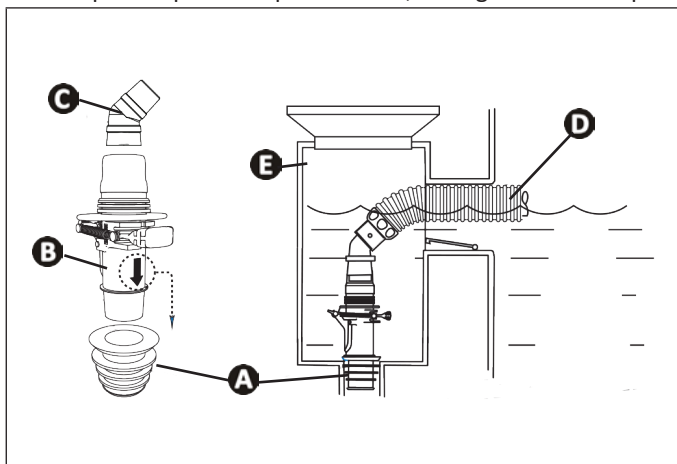
2.3.1 Collegamento all'aspirafango



- A** : Sezione di tubo
- B** : Spazzola aspirafango
- C** : Gomito allungato 45° (a seconda del modello)
- D** : Gomito allungato 45° (a seconda del modello)

2.3.2 Collegamento allo skimmer

- Se la piscina possiede più skimmer, collegare il tubo a quello più vicino alla pompa di filtrazione.



- A** : Adattatore conico
- B** : Valvola di regolazione automatica di portata
- C** : Gomito flessibile 45°
- D** : Sezione di tubo
- E** : Skimmer

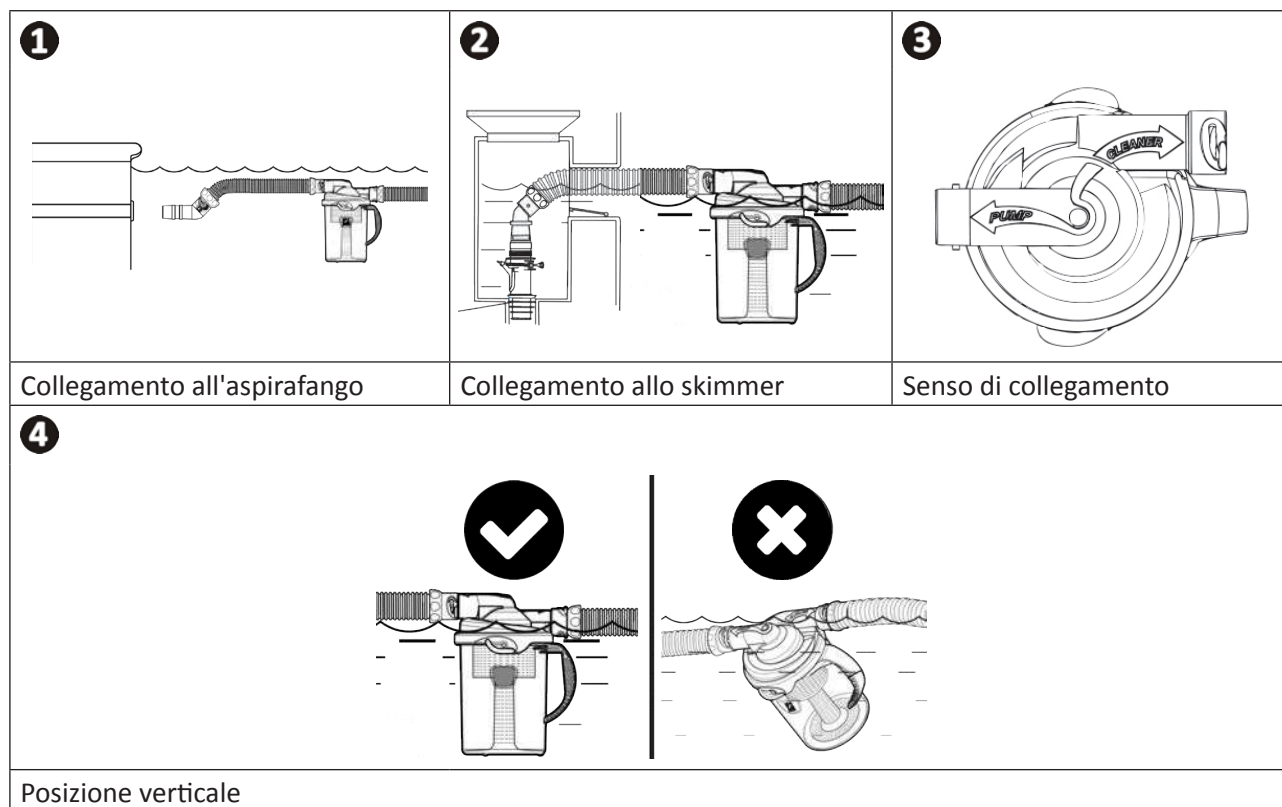


Consiglio: Proteggere il sistema di filtrazione collegando la valvola di regolazione automatica di portata

Questa valvola permette di regolare la portata per ottimizzare la pulizia del robot, è anche molto utile per trattenere eventuali detriti che potrebbero essere aspirati e danneggiare i dispositivi di filtrazione.

2.3.3 Collegamento dell'aspirafoglie "Cyclonic™ Leaf Catcher" (a seconda del modello)

- Collegare l'aspirafoglie al tubo il più possibile vicino all'aspirafango o allo skimmer (vedere immagine **1** o **2**).
- Orientare l'aspirafoglie in base alle indicazioni: «PUMP» = lato pompa di filtrazione / «CLEANER» = lato robot (vedere immagine **3**).
- Per funzionare in modo ottimale, l'aspirafoglie deve essere posizionato verticalmente rispetto alla superficie dell'acqua (vedere immagine **4**).



Consiglio: Proteggere il sistema di filtrazione collegando l'aspirafoglie "Cyclonic™ Leaf Catcher"

L'aspirafoglie permette di trattenere i detriti prima che vengano aspirati dal sistema di filtrazione, con il rischio di danneggiare i dispositivi a lungo andare. Permette anche di eliminare più facilmente i detriti che nel prefiltro della pompa e ha il vantaggio di essere trasparente per sapere quando pulirlo.



3 Uso

3.1 I Principio di funzionamento

I robot idraulici vanno collegati al sistema di filtrazione (su un aspirafango o uno skimmer), utilizzano l'energia della pompa di filtrazione per spostarsi nella piscina. La capacità di risalita delle pareti varia in funzione della forma della piscina e della portata d'acqua disponibile.

I detriti vengono aspirati dal robot e catturati nel prefiltro della pompa di filtrazione o nell'aspirafoglie (accessorio incluso o disponibile come opzione, a seconda del modello).

3.2 I Preparazione della piscina



- **Questo prodotto è progettato per essere utilizzato in piscine permanenti. Non utilizzare in piscine smontabili. Una piscina permanente è costruita nel suolo, sul suolo e non può essere facilmente smontata e riposta.**

- L'apparecchio deve funzionare nell'acqua della piscina che abbia la seguente qualità:

Temperatura dell'acqua	Tra 15°C e 35°C
pH	Tra 6.8 e 7.6
Cloro	< 3 mg/litro

- Quando la piscina è sporca, soprattutto al momento della prima installazione del robot, eliminare i detriti molto grandi con un aspirafango manuale e un guadino.
- Togliete termometri, giocattoli e altri oggetti che potrebbero danneggiare l'apparecchio.
- Dopo l'aggiunta di prodotti chimici all'acqua, aspettare almeno 4 ore prima di immergere il robot nell'acqua
- Accertarsi che la filtrazione e i cestelli degli skimmer siano puliti.
- Orientare gli ugelli di mandata verso il basso, se è possibile regolarli.
- Chiudere lo scarico di fondo della piscina.
- Arrestare la pompa di filtrazione.

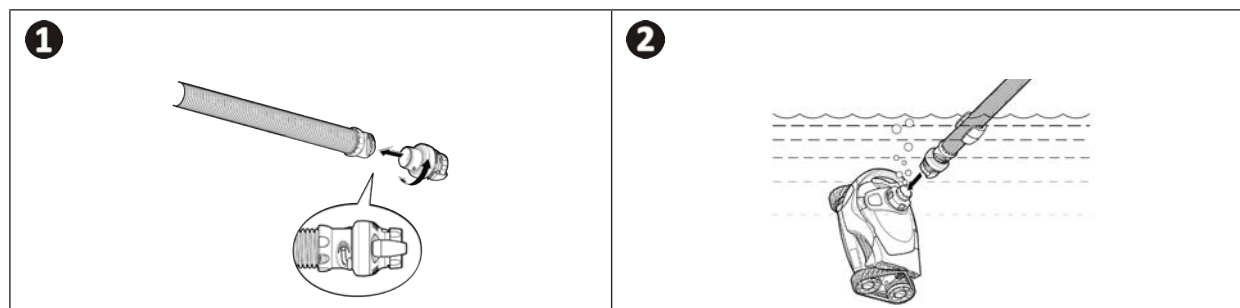
3.3 I Avviamento



- **Per evitare di ferirsi gravemente, accertarsi che la pompa d'aspirazione del robot sia ferma.**
- **Tenere capelli, indumenti ampi, gioielli, ecc. lontani dall'estremità aperta del tubo.**

3.3.1 Collegamento del regolatore di portata e immersione del robot

- Collegare la sezione di tubo con il galleggiante al regolatore di portata (vedere immagine 1)
- Immergere il robot perché si riempia d'acqua.
- Quando non fuoriesce più nessuna bolla d'aria dal robot, collegare il tubo incastrando il regolatore di portata sul robot (vedere immagine 2).
- Lasciar scendere il robot sul fondo della piscina.

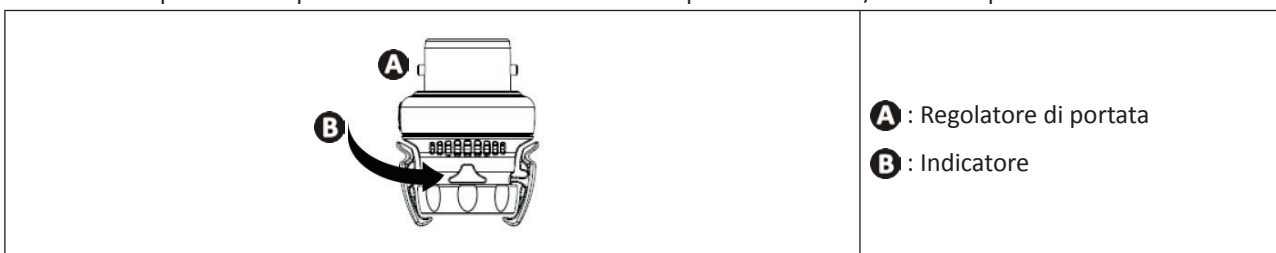


3.3.2 Riempimento dei tubi

- Collegare temporaneamente il tubo all'aspirafango o allo skimmer.
- Avviare la pompa di filtrazione.
- Riempire il tubo d'acqua posizionando l'estremità davanti a un ugello di mandata fino a che sia completamente pieno.
- Arrestare la pompa di filtrazione e collegare nuovamente il tubo all'aspirafango o allo skimmer.
- Avviare la pompa per far funzionare il robot.

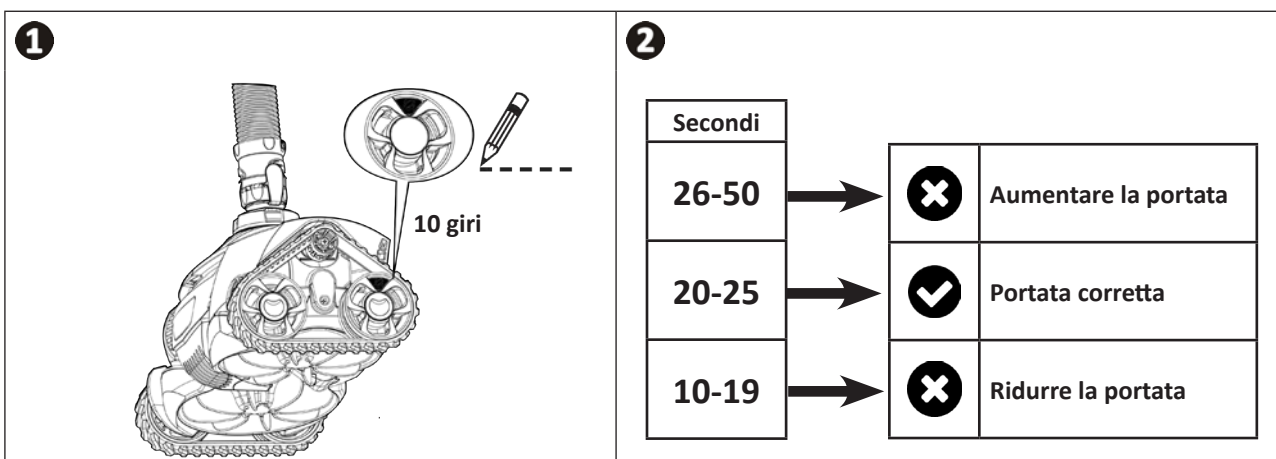
➤ 3.4 I Regolazione della portata dell'acqua

- La pompa di filtrazione deve essere in funzione.
- Controllare regolarmente la portata per essere certi che la pulizia sia ottimale e per facilitare la risalita delle pareti da parte del robot.
- Il robot è dotato di un regolatore di portata che regola automaticamente la portata d'acqua che circola nel robot. Indica se la portata d'acqua è corretta o eccessiva: **GIALLO** = portata corretta / **ROSSO** = portata eccessiva



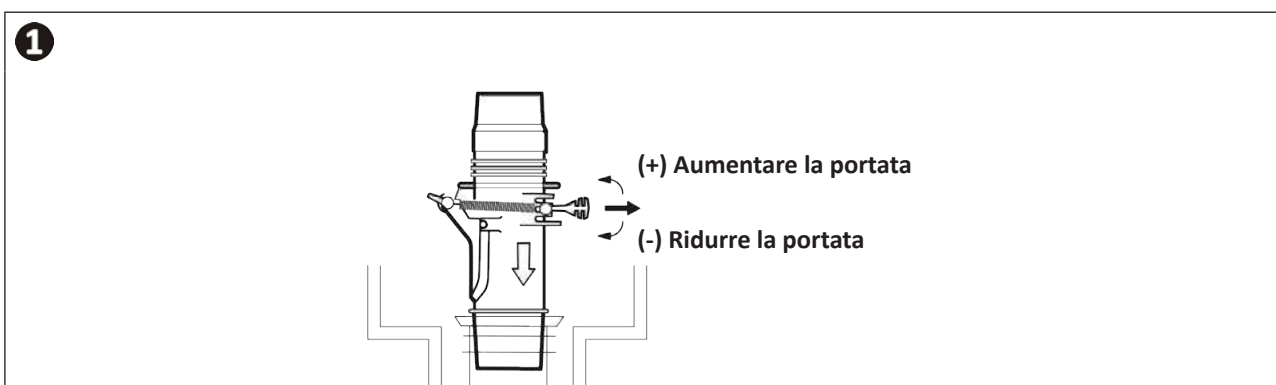
3.4.1 Controllare la velocità di rotazione delle ruote

- La pompa di filtrazione deve essere in funzione.
- Accendere la pompa di filtrazione (munirsi di un cronometro).
- Riportate il robot sotto la superficie dell'acqua mantenendolo immerso.
- Individuare l'indicatore giallo sotto la ruota posteriore destra (vedere immagine 1).
- Per MX8 - MX8 PRO - MX9: Attendere che le ruote cambino direzione e cronometrare il tempo che ci mettono a effettuare 10 giri (vedere immagine 1).
- Regolare la portata dell'acqua in funzione del tempo cronometrato (vedere immagine 2).



3.4.2 Regolare la portata d'acqua

- Regolare la portata d'acqua con la valvola di regolazione automatica della portata, fornita con l'apparecchio (vedere immagine 1), o a partire dalle valvole della piscina.



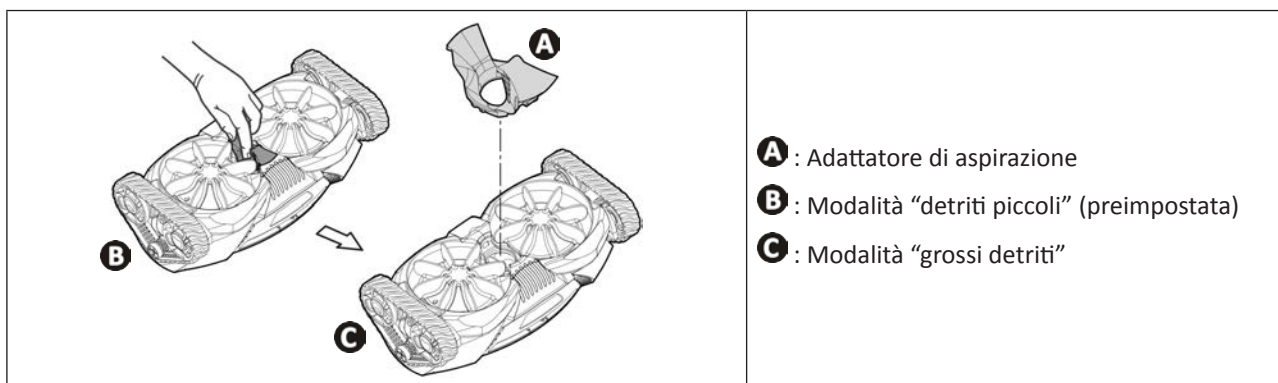
3.5 I Scelta della modalità di aspirazione: piccoli o grossi detriti (a seconda del modello)



Prima di iniziare questa operazione e per evitare lesioni gravi:

- Arrestare la pompa di filtrazione.
- Scollegare il robot dal tubo.

- Il robot dispone di un adattatore di aspirazione situato sotto il robot.
- L'adattatore permette di regolare l'aspirazione a seconda del tipo di detriti da aspirare: **modalità "detriti piccoli"** (detriti di piccole dimensioni o detriti pesanti quali sabbia, melma e ciottoli), **modalità "detriti grossi"** (foglie).
- **Per passare alla modalità "detriti grossi"**: togliere l'adattatore inserendo un dito all'interno e sollevando il bordo posteriore.
- **Per tornare in modalità "detriti piccoli"**: premere sui bordi anteriore e posteriore dell'adattatore per agganciarlo nel suo alloggiamento.



Consiglio: Privilegiare la modalità "detriti piccoli" durante la stagione di balneazione

Quando la piscina viene pulita regolarmente, si consiglia di non togliere l'adattatore di aspirazione per essere in modalità "detriti piccoli".



4 Manutenzione

- L'apparecchio deve essere pulito regolarmente con acqua pulita o leggermente saponata. Non utilizzare solventi.
- Sciacquare abbondantemente l'apparecchio con acqua pulita.
- Non riporre mai il robot in pieno sole. Riporre il tubo di piatto, non arrotolarlo per mantenere la forma iniziale dei tubi.

➤ 4.1 I Pulizia del prefiltro della pompa di filtrazione

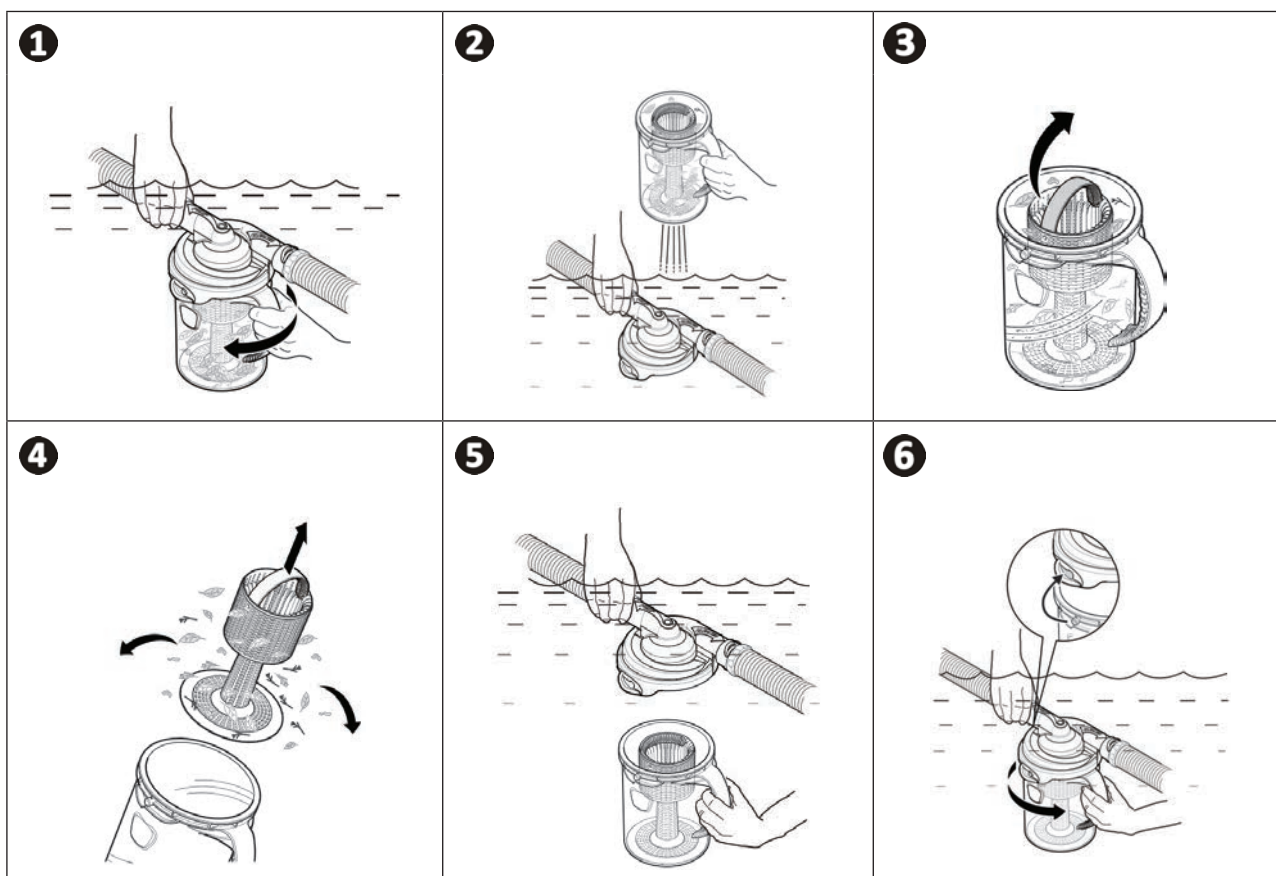


- Togliere sempre il robot dalla piscina prima di pulire o spurgare il sistema di filtrazione.
- Dopo la pulizia (e prima di rimettere il robot in acqua), far funzionare la pompa di filtrazione per almeno 5 minuti per spurgare il circuito.

- Per l'efficacia ottimale del robot, è necessario svuotare regolarmente il prefiltro della pompa, togliendo i detriti.
- Si raccomanda l'uso dell'aspirafoglie (accessorio in dotazione o opzionale a seconda del modello) per raccogliere i detriti importanti prima che arrivino nello skimmer e nel prefiltro.

➤ 4.2 I Pulizia dell'aspirafoglie "Cyclonic™ Leaf Catcher"

- Arrestare la pompa di filtrazione.
- Tenere l'aspirafoglie sott'acqua e afferrarlo per l'impugnatura. Con l'aiuto dell'impugnatura, far ruotare la vaschetta trasparente fino a che si stacca (vedere immagine ➊).
- Togliere la vaschetta trasparente dall'acqua, lasciare il coperchio e i tubi sott'acqua (vedere immagine ➋).
- Togliere il filtro aiutandosi con l'impugnatura superiore (vedere immagine ➌).
- Togliere i detriti e sciacquare la vaschetta con acqua dolce (vedere immagine ➍).
- Riposizionare il filtro, poi immergere nuovamente l'aspirafoglie (vedere immagine ➎).
- Posizionare correttamente la vaschetta trasparente a livello delle tacche del coperchio, poi ruotare saldamente per incastrare le 2 parti (vedere immagine ➏).



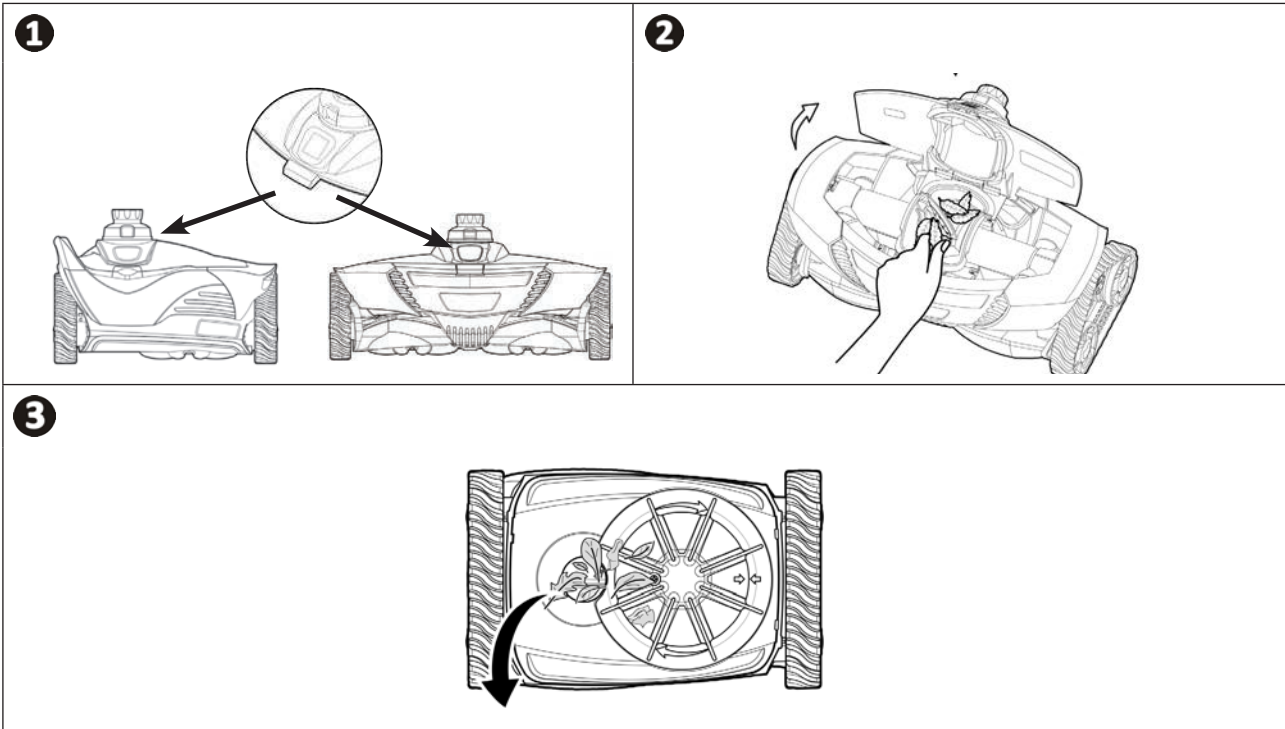
➤ 4.3 I Togliere i detriti dal motore



Prima di iniziare questa operazione e per evitare lesioni gravi:

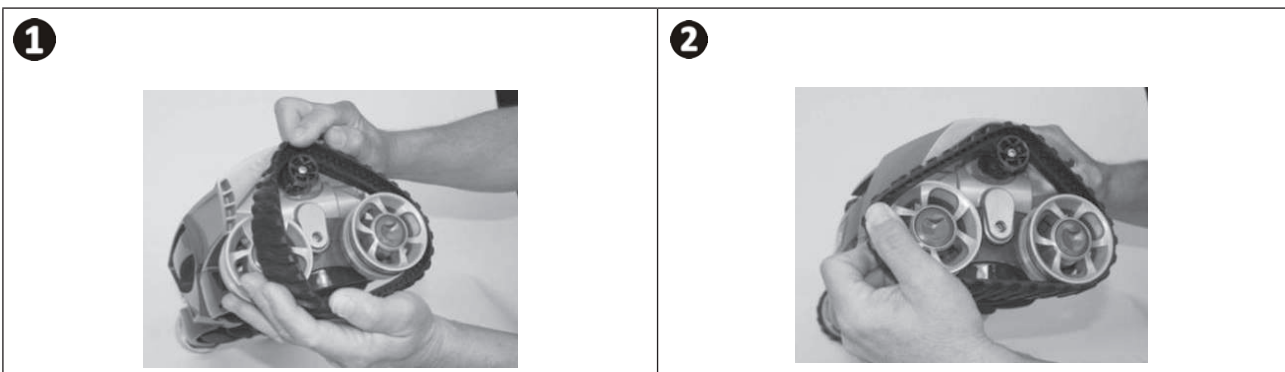
- Arrestare la pompa di filtrazione.
- Scollegare il robot dal tubo.

- Premere il pulsante superiore e sollevare il coperchio (vedere immagine ❶).
- Togliere i detriti all'interno (vedere immagine ❷) e anche sotto il robot (vedere immagine ❸).
- Se necessario, spingere delicatamente le pale del motore avanti e indietro per eliminare detriti incastrati e toglierli. Quando si spostano le pale accertarsi che i cingoli del robot girino liberamente e siano sincronizzati con il movimento delle pale situate sotto il robot.
- Togliere anche i detriti incastrati nella succhieruola.
- Richiudere il coperchio e accertarsi che sia bloccato.



➤ 4.4 I Sostituzione dei cingoli

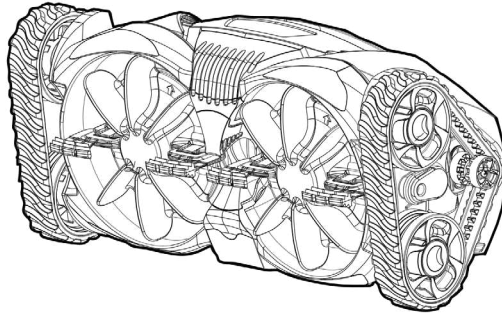
- Posizionare il robot su un lato.
- Iniziando da una delle ruote, esercitare una trazione sull'interno del cingolo per separarlo dalla ruota (vedere immagine ❶). Estrarre poi il cingolo dal robot.
- Per installare il nuovo cingolo posizionare il lato interno del cingolo sulle scanalature della rotellina e su una delle ruote grandi.
- Sistemare il cingolo tirandolo sull'ultima ruota (vedere immagine ❷). Premere sul cingolo per posizionarlo correttamente nelle scanalature delle ruote. Accertarsi che il cingolo passi sotto la guida.



➤ 4.5 I Stoccaggio invernale

- Per lo svernamento, svuotare l'acqua contenuta nel robot (i danni causati dal gelo non sono coperti da garanzia).
- Pulire tutto l'apparecchio e i tubi con acqua pulita, poi lasciar asciugare.
- Riporli in un luogo asciutto, al riparo dal gelo. Posizionare il robot su un alto o di schiena per non danneggiare la turbina (vedere immagine 1).
- Togliere tutti i connettori e gli adattatori dell'aspirafango o dello skimmer.

1



Consiglio: Conservare la forma originale dei tubi durante lo stoccaggio invernale

Quando il robot viene riposto, anche per periodi brevi, evitare di arrotolare i tubi: potrebbero prendere una forma che potrebbe nuocere alle prestazioni del robot.



5 Risoluzione dei problemi



- Prima di contattare il rivenditore, procedere a semplici verifiche in caso di malfunzionamento avvalendosi delle tabelle seguenti.
- Se il problema persiste, contattate il rivenditore.

5.1 I Comportamento dell'apparecchio

<p>Il robot è immobile o molto lento.</p>	<ul style="list-style-type: none"> • Controllare che lo scarico di fondo sia chiuso. • Pulire e svuotare i cestelli degli skimmer e il prefiltro della pompa. • Controllare la zona del motore e togliere tutti i detriti visibili (vedere § “4.3 I Togliere i detriti dal motore”). • Togliere l'adattatore d'aspirazione sotto il robot (vedere § “3.5 I Scelta della modalità di aspirazione: piccoli o grossi detriti (a seconda del modello)”). • Controllare la portata (vedere § “3.4 I Regolazione della portata dell'acqua”). • Mettere in funzione la pompa di filtrazione e verificare l'assenza di aria nel circuito di filtrazione. Se il prefiltro della pompa di filtrazione è pieno di bolle d'aria o il livello dell'acqua è basso, c'è aria nel circuito di filtrazione. La presenza d'aria sarà visibile anche dalla portata d'acqua all'uscita degli ugelli di mandata. L'aria può finire nel circuito di filtrazione dalla porzione di aspirazione della pompa (anche per la presenza di fori o fessure in una delle sezioni di tubo). • Controllare che il rivestimento della vasca non sia coperto di alghe che rendono scivolosa la superficie e influiscono sulla trazione del robot e sulla risalita delle pareti. In questo caso effettuare una clorazione d'urto e abbassare leggermente il pH.
<p>Il robot non si sposta ovunque nella vasca.</p>	<ul style="list-style-type: none"> • Controllare la portata (vedere § “3.4 I Regolazione della portata dell'acqua”). • Orientare gli ugelli di mandata verso il basso, se è possibile regolarli. • Controllare la presenza di anse sul tubo. Se il tubo ha una forma ad ansa, arrestare il robot e togliere le sezioni di tubo interessate. Posizionare le sezioni di tubo sulle quali si sono formate delle anse di piatto al sole perché si raddrizzino. Riposizionare le sezioni di tubo sul robot pulitore. • Controllare che il tubo sia abbastanza lungo (vedere § “2.2 I Assemblaggio delle sezioni di tubo”). In caso contrario, aggiungere delle sezioni di tubo. • Controllare che la sezione di tubo con galleggiante sia posizionata correttamente (vedere § “2.2 I Assemblaggio delle sezioni di tubo”). • Osservare il robot per più di cinque minuti e controllare che i cingoli cambiano regolarmente direzione.
<p>Il robot si blocca sulle scale.</p>	<ul style="list-style-type: none"> • Controllare che il giunto rotante posto sopra il robot giri liberamente. • Testare la portata controllando la velocità di rotazione delle ruote (vedere § “3.4.1 Controllare la velocità di rotazione delle ruote”). • Controllare che il tubo non sia troppo lungo (vedere § “2.2 I Assemblaggio delle sezioni di tubo”). In caso contrario accorciarlo togliendo delle sezioni.
<p>Il robot non sale sulle pareti.</p>	<ul style="list-style-type: none"> • Controllare la portata (vedere § “3.4 I Regolazione della portata dell'acqua”) e aumentarla se necessario (vedere § “3.4.2 Regolare la portata d'acqua”). • Controllare che il galleggiante del tubo sia posizionato correttamente (vedere § “2.2 I Assemblaggio delle sezioni di tubo”). • Controllare che le pareti non siano sdruciolevoli (presenza di alghe).
<p>Il robot supera la linea d'acqua.</p>	<ul style="list-style-type: none"> • Controllare la portata (vedere § “3.4.2 Regolare la portata d'acqua”). • Controllare che il galleggiante del tubo sia posizionato correttamente (vedere § “2.2 I Assemblaggio delle sezioni di tubo”).
<p>Il robot è su un fianco.</p>	<ul style="list-style-type: none"> • Controllare che il galleggiante del tubo sia posizionato correttamente (vedere § “2.2 I Assemblaggio delle sezioni di tubo”).

Votre revendeur
Your retailer

Modèle appareil
Appliance model

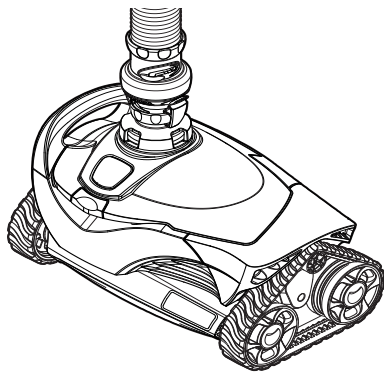
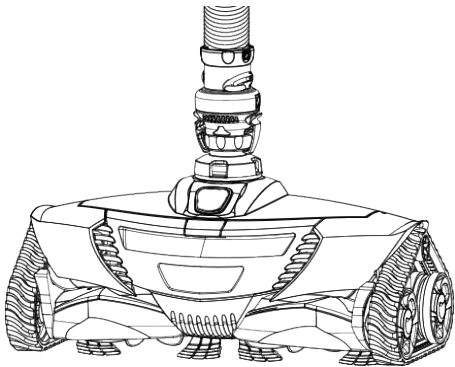
Numéro de série
Serial number

Trouvez plus d'informations et enregistrez votre produit sur
More informations and register your product on

www.zodiac.com



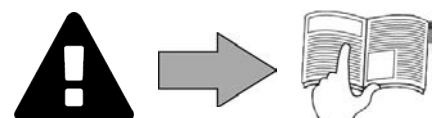
MX6™
MX630™
MX8™
MX8™ PRO
MX9™



Manual de instalação e utilização - Português
Robot hidráulico
Tradução das instruções originais em francês

PT

More documents on:
www.zodiac.com



AVISOS

AVISOS GERAIS

- O não respeito dos avisos poderia causar prejuízos ao equipamento da piscina ou provocar ferimentos graves, ou mesmo a morte.
- Somente um profissional qualificado nos domínios técnicos correspondentes (eletricidade, hidráulica ou refrigeração), está habilitado a executar este procedimento. O técnico qualificado que intervém no aparelho deve utilizar/usar um equipamento de proteção individual (como por exemplo óculos de segurança, luvas de proteção, etc...) a fim de reduzir qualquer risco de ferimento que possa ocorrer durante a sua intervenção no aparelho.
- Antes de qualquer intervenção no aparelho, certificar-se de que este está fora de tensão e isolado.
- O aparelho é destinado a um uso específico para piscinas e spas; não deve ser utilizado para nenhum outro uso exceto aquele para o qual foi concebido.
- É importante que este aparelho seja manuseado por pessoas competentes e aptas (física e mentalmente), tendo recebido previamente instruções de utilização. As pessoas que não correspondem a estes critérios não devem poder aceder ao aparelho, a fim de evitar qualquer risco de danos ou ferimentos, e mesmo de morte.
- Manter o aparelho fora do alcance das crianças.
- A instalação do aparelho deve ser realizada em conformidade com as instruções do fabricante e no respeito das normas locais e nacionais em vigor. O instalador é responsável pela instalação do aparelho e pelo cumprimento das regulamentações nacionais em matéria de instalação. A responsabilidade do fabricante não pode ser comprometida no caso de incumprimento das normas de instalação em vigor no respectivo país.
- Para qualquer outra ação diferente da simples conservação pelo utilizador descrita neste manual, o produto deve ser conservado por um profissional qualificado.
- Toda instalação e/ou utilização incorreta pode provocar prejuízos materiais ou corporais graves (podendo causar a morte),
- Todo material, mesmo com porte e embalagem pagos, é transportado por conta e risco do destinatário. Este deve mencionar as suas reservas na guia de entrega do transportador se constatar danos provocados durante o transporte (confirmação dentro de 48 horas por carta registada ao transportador). No caso de um aparelho contendo fluido frigorígeno, se tiver sido invertido, emitir reservas por escrito junto do transportador.
- No caso de um mau funcionamento do aparelho: não tentar reparar por si mesmo o aparelho, e contactar um técnico qualificado.
- Consultar as condições de garantia para os valores detalhados de equilíbrio da água, tolerados para o funcionamento do aparelho.
- Toda desativação, eliminação ou contorno de um dos elementos de segurança integrados ao aparelho anula automaticamente a garantia, assim como a utilização de peças de substituição provenientes de um fabricante terceiro não autorizado.
- Não vaporizar inseticida ou outro produto químico (inflamável ou não inflamável) em direção do aparelho, poderia deteriorar a carroçaria e provocar um incêndio.
- Os aparelhos Zodiac® do tipo bombas de calor, bombas de filtração, filtros são compatíveis com a maioria dos sistemas de tratamento da água para piscinas.
- Não tocar no ventilador nem nas peças móveis e não aproximar hastes nem os seus dedos das peças móveis durante o funcionamento do aparelho. As peças móveis podem provocar lesões graves, ou mesmo mortais.

AVISOS LIGADOS A APARELHOS ELÉTRICOS

- A alimentação elétrica do aparelho deve ser protegida por um dispositivo de proteção de corrente diferencial residual de 30 mA dedicado, em conformidade com as normas em vigor do país de instalação.
- Não utilizar uma extensão para ligar o aparelho; ligá-lo diretamente a um circuito de alimentação adaptado.
- Antes de qualquer operação, verificar que:
 - A tensão indicada na placa sinalética do aparelho corresponde efetivamente à da rede,
 - A rede de alimentação é adequada à utilização do aparelho e dispõe de uma ligação à terra,
 - A ficha de alimentação (se aplicável) adapta-se à tomada de corrente.
- Em caso de funcionamento anormal, ou de emissão de odores estranhos do aparelho, pará-lo imediatamente, desligar a sua alimentação e contactar um profissional.
- Antes de qualquer intervenção no aparelho, assegurar-se de que este está fora de tensão e isolado, assim como qualquer outro equipamento ligado ao aparelho, e a prioridade do aquecimento (se aplicável) está desativada.
- Não desligar e ligar o aparelho durante o seu funcionamento.
- Não puxar o cabo de alimentação para o desligar.
- Se o cabo de alimentação estiver deteriorado, deverá imperativamente ser substituído pelo fabricante, o seu agente de manutenção ou uma outra pessoa qualificada, para garantir a segurança.
- Não realizar a conservação ou a manutenção do aparelho com as mãos molhadas ou se o aparelho estiver molhado.
- Limpar a barra de terminais ou a tomada de alimentação antes de qualquer ligação.
- Para todo elemento ou subconjunto contendo uma pilha: não recarregar a pilha, não a desmontar, não a jogar num fogo. Não o expor a temperaturas elevadas ou à luz direta do sol.
- Em caso de tempestade, desligar o aparelho para evitar que seja deteriorado pelos raios.
- Não imergir o aparelho em água (salvo os robots de limpeza) nem em lama.

ESPECIFICIDADES "Robots limpadores de piscina"

- O robot deve funcionar numa água de piscina cuja temperatura seja compreendida entre 15°C e 35°C.
- Para evitar qualquer ferimento ou danos causados ao robot limpador, não fazer funcionar o robot fora da água.
- Para evitar qualquer risco de ferimento, os banhos são proibidos quando o robot estiver dentro da piscina.
- Não utilizar o robot quando fizer uma cloração de choque na piscina.
- Não deixar o robot sem vigilância durante um período prolongado.

AVISO RELATIVO À UTILIZAÇÃO DE UM ROBOT NUMA PISCINA COM REVESTIMENTO DE VINIL:

- Antes de instalar o seu novo robot de limpeza, examine atentamente o revestimento da sua piscina. Se o liner estiver desgastado em certos pontos, ou se observar cascalhos, pregas, raízes ou corrosão provocada por metal na face inferior do liner, ou se observar que o suporte (fundo e paredes) está deteriorado, não instalar o robot antes de efetuar as reparações necessárias ou fazer substituir o liner por um profissional qualificado. O fabricante não poderá em caso algum ser responsabilizado pelos danos causados ao liner.
- A superfície de certos revestimentos em vinil pode desgastar-se rapidamente e os motivos podem desaparecer com o contato de objetos como escovas de limpeza, brinquedos, boias, distribuidores de cloro e limpador automático de piscina. Os motivos de certos revestimentos em vinil podem ser arranhados ou desgastados por simples fricção, como por uma escova de piscina. A cor de certos motivos pode igualmente esmaecer durante a utilização ou no caso de contato com os objetos presentes na piscina. Os motivos apagados, o desgaste ou as arranhaduras dos revestimentos em vinil não envolvem a responsabilidade do fabricante e não são cobertos pela garantia limitada.

Reciclagem



Este símbolo significa que o seu aparelho não deve ser posto no lixo. Ele será objeto de uma recolha seletiva com vistas à sua reutilização, reciclagem ou valorização. Se contiver substâncias potencialmente perigosas para o meio ambiente, estas serão eliminadas ou neutralizadas.

Informe-se junto ao seu revendedor sobre as modalidades de reciclagem.



- Antes de qualquer ação sobre o aparelho, é imperativo que tome conhecimento deste manual de instalação e utilização, assim como do documento "segurança e garantia" entregue com o aparelho, sob pena de danos materiais, de lesões graves, ou mesmo mortais, assim como da anulação da garantia.
- Conservar e transmitir estes documentos para uma consulta ulterior ao longo da vida do aparelho.
- É proibido difundir ou modificar este documento por qualquer meio que seja sem a autorização da Zodiac®.
- A Zodiac® faz evoluir constantemente os seus produtos para melhorar a sua qualidade, as informações contidas neste documento podem ser modificadas sem aviso prévio.

ÍNDICE



1 Características

3

1.1 | Descrição

3

1.2 | Características técnicas e identificação

4



2 Instalação

5

2.1 | Colocação em situação

5

2.2 | Montagem das secções de tubos

5

2.3 | Ligações hidráulicas

6



3 Utilização

8

3.1 | Princípio de funcionamento

8

3.2 | Preparação da piscina

8

3.3 | Colocação em funcionamento

8

3.4 | Ajuste do caudal de água

9

3.5 | Seleção do modo de aspiração: pequenos ou grandes detritos (segundo o modelo)

10



4 Conservação

11

4.1 | Limpeza do pré-filtro da bomba de filtração

11

4.2 | Limpeza do apanhador de folhas "Cyclonic™ Leaf Catcher"

11

4.3 | Retirar os detritos do motor

12

4.4 | Substituição das lagartas

12

4.5 | Armazenagem e invernagem

13



5 Resolução de problemas

14

5.1 | Comportamentos do aparelho

14



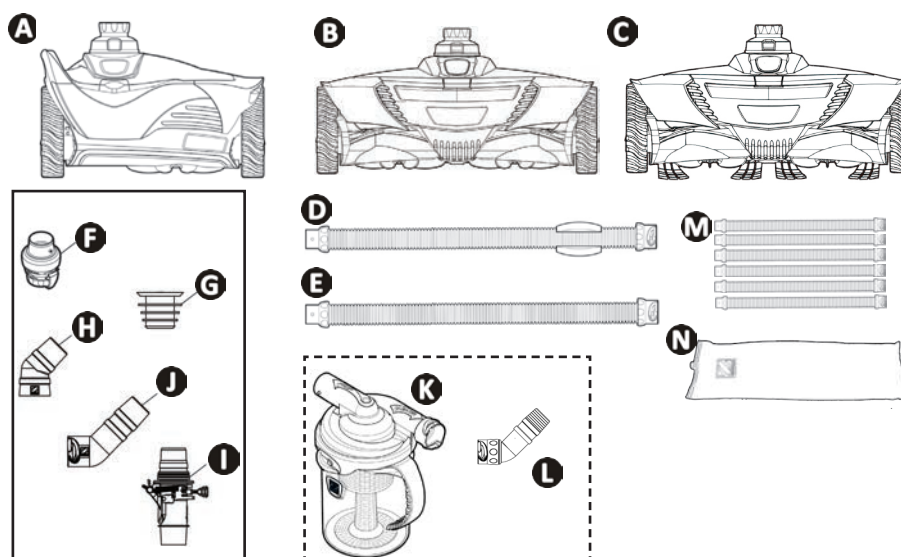
Conselho: para facilitar o contato com o seu revendedor

Anotar as coordenadas do seu revendedor para as encontrar mais facilmente, e completar as informações sobre o "produto" no verso do manual, estas informações ser-lhe-ão pedidas pelo seu revendedor.



1 Características

1.1 | Descrição



		MX™ 6 - MX™ 630	MX™ 8	MX™ 8 PRO	MX™ 9
A	Robot	✓			
B			✓	✓	
C					✓
D	Secção de tubo Twist Lock de 1 metro com flutuador (x1)	✓	✓	✓	✓
E	Secção de tubo Twist Lock de 1 metro	✓ (x9)	✓ (x11)	✓ (x11)	✓ (x11)
F	Regulador de caudal	✓	✓	✓	✓
G	Adaptador cónico	✓	✓	✓	✓
H	Curva flexível 45°	✓	✓	✓	✓
I	Válvula de ajuste automático do caudal	✓	✓	✓	✓
J	Curva alongada 45° Twist Lock	✓	✓		✓
K	Apanhador de folhas "Cyclonic™ Leaf Catcher"	+	+	✓	+
L	Curva alongada 45° rotativa	+	+	✓	+
M	Conjunto de 6 secções de tubos Twist Lock de 1 metro	+	+	+	+
N	Saco de inverno para tubos	+	+	+	+

✓: Fornecido

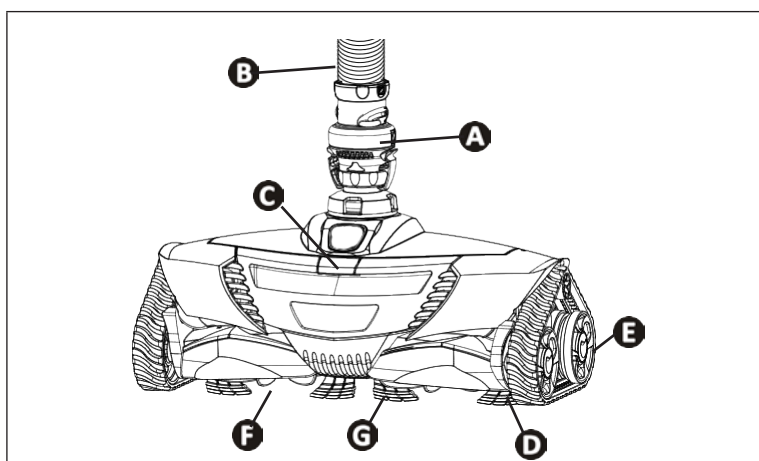
+: Disponível como opção

1.2 | Características técnicas e identificação

1.2.1 Características técnicas

	MX™ 6 - MX™ 630	MX™ 8	MX™ 8 PRO	MX™ 9
Dimensões robot (C x P x A)	31 x 19 x 22 cm	41 x 19 x 22 cm		
Dimensões embalagem (C x P x A)	102 x 23 x 37 cm			
Peso robot	2,5 kg	3,2 kg		3,4kg
Peso com a embalagem	8,2 kg	9,5 kg	10,5 kg	9,5kg
Largura teórica de limpeza	25 cm	36 cm		
Capacidade de filtragem	Circuito de filtração da piscina			
Potência mínima requerida da bomba de filtração	3/4 CV			
Velocidade de deslocação	8 m/ min			

1.2.2 Identificação

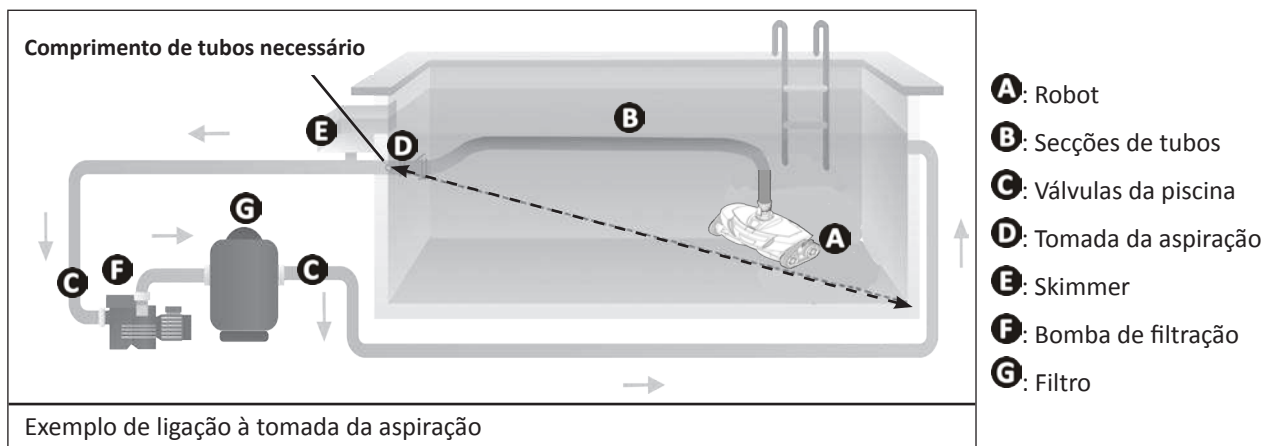


- A**: Regulador de caudal
- B**: Secção de tubo
- C**: Botão de abertura da tampa
- D**: Lagartas
- E**: Rodas
- F**: Hélices
- G**: Escovas (segundo o modelo)



2 Instalação

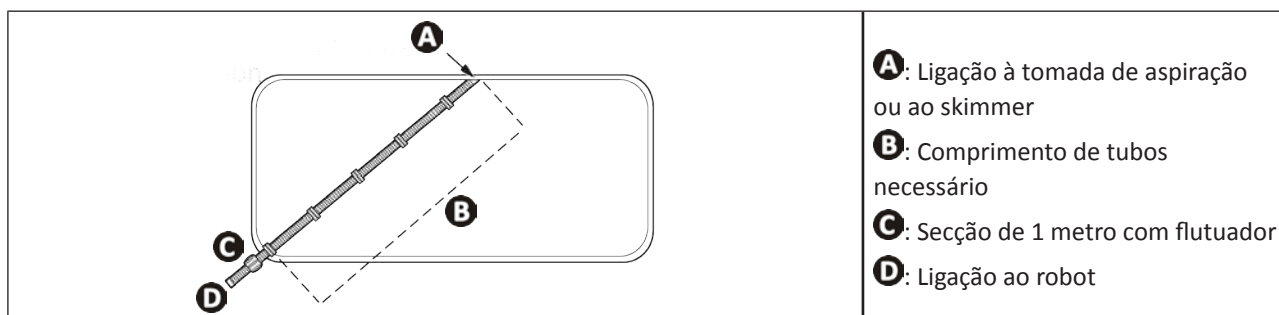
2.1 I Colocação em situação



2.2 I Montagem das secções de tubos

2.2.1 Determinar o número de secções necessário

- Medir o comprimento entre a tomada da aspiração ou o skimmer e o ponto mais afastado da piscina.
- Adicionar 1 metro suplementar ao comprimento medido.
- Se o comprimento total for superior a 10 metros (MX™6-MX™630) ou 12 metros (MX™8-MX™8 PRO - MX™9), contactar o seu revendedor para comprar as secções de tubos suplementares.



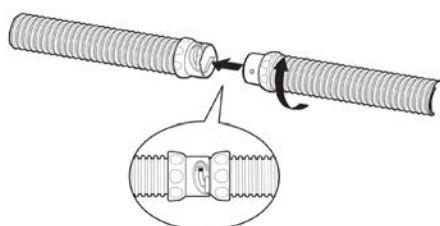
Conselho: montar a quantidade "exata" de secções de tubos

Não é recomendado montar mais secções de tubo do que o comprimento necessário para alcançar toda a piscina. Um comprimento excessivo poderia limitar o desempenho de limpeza do robot.

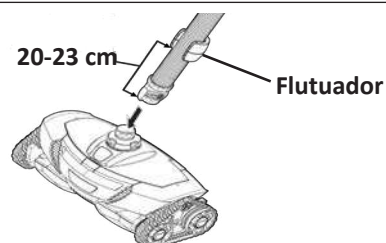
2.2.2 Montagem das secções de tubos Twist Lock

- Para reunir facilmente duas secções de tubo graças ao sistema Twist Lock, encaixe-os e rode-os até que os conectores estejam no batente máximo, em um dos 3 dentes que asseguram a estanqueidade (ver imagem 1).
- A secção do tubo compreendendo o flutuador será ligada ao robot (ver imagem 2). O flutuador deve estar situado a **20-23 cm do robot** (ver imagem 2).

1



2

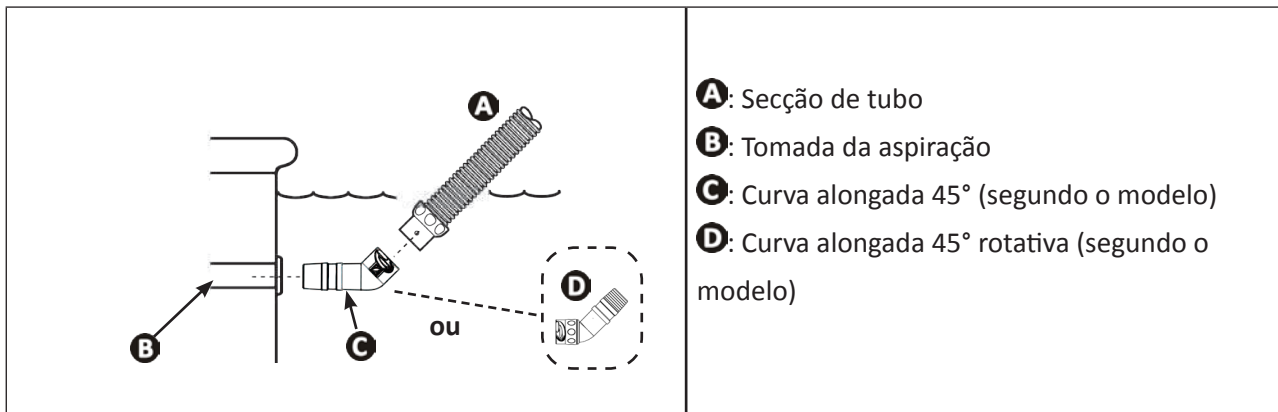


2.3 I Ligações hidráulicas



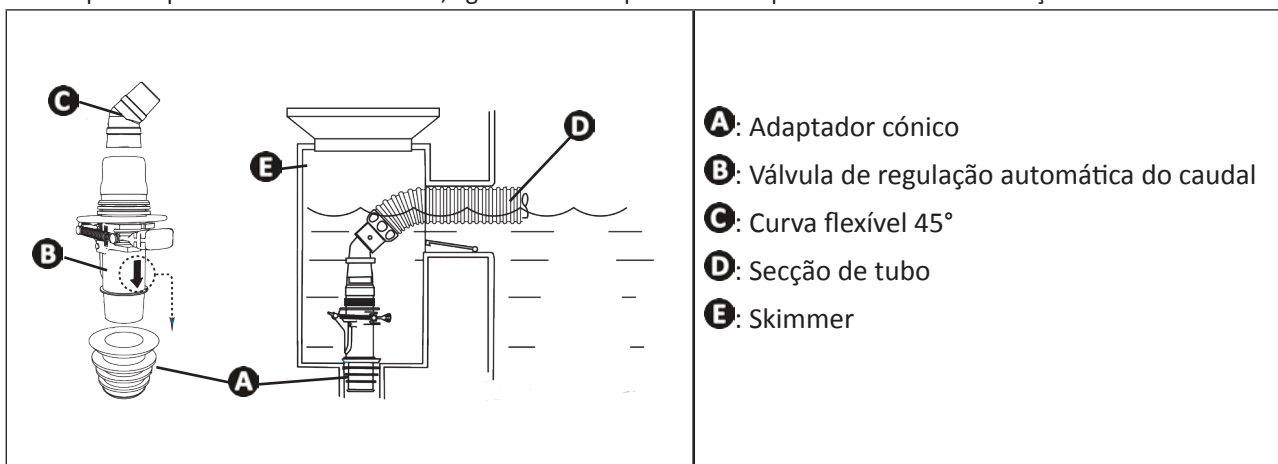
- Parar a bomba de filtração.
- Limpar o cesto do skimmer, o pré-filtro da bomba de filtração, e o filtro se necessário.

2.3.1 Ligação à tomada da aspiração



2.3.2 Ligação ao skimmer

- Se a piscina possui diversos skimmers, ligar o tubo ao que está mais perto da bomba de filtração.



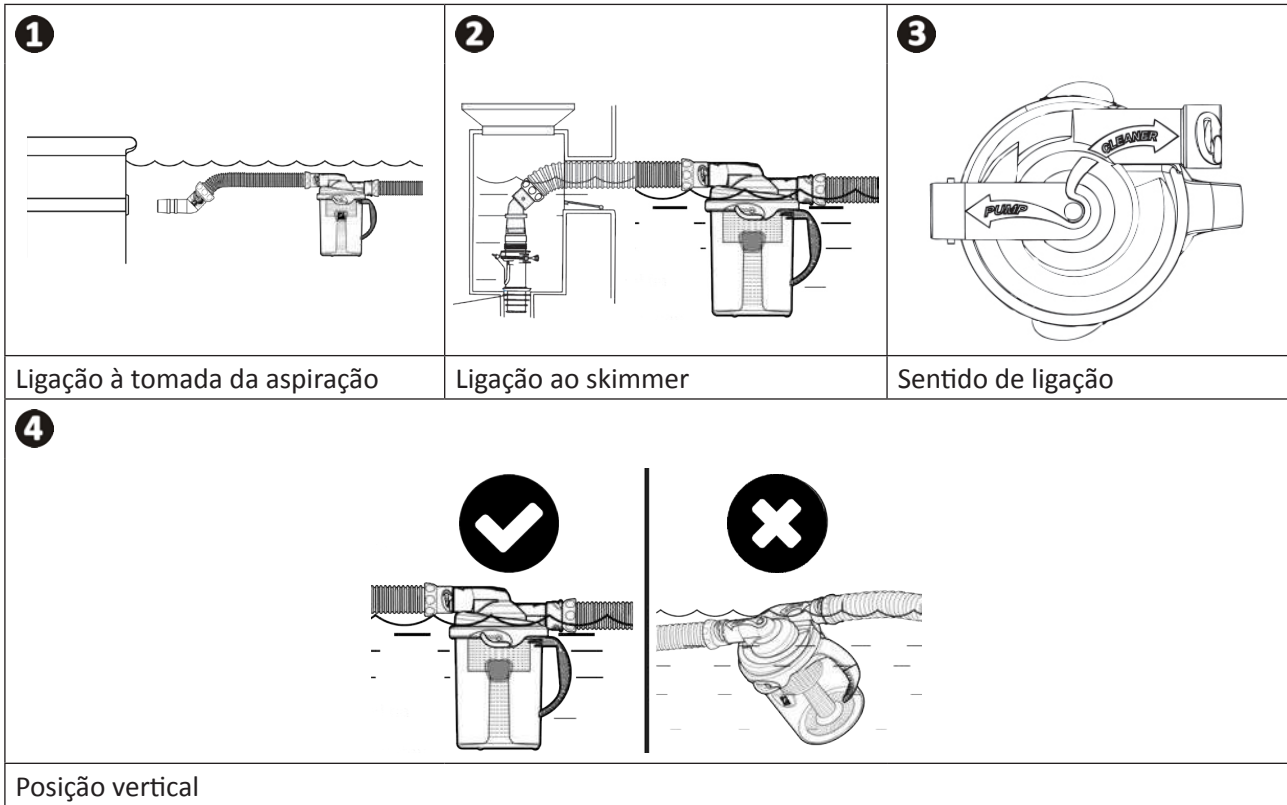
Conselho: Proteger o sistema de filtração ligando a válvula de regulação automática do caudal

Esta válvula permite ajustar o caudal para otimizar a limpeza do robot, é também muito útil para reter os eventuais detritos que poderiam ser aspirados e danificar os equipamentos de filtração.

PT

2.3.3 Ligação do apanhador de folhas "Cyclonic™ Leaf Catcher" (segundo o modelo)

- Conectar o apanhador de folhas ao tubo o mais perto possível da tomada de aspiração ou do skimmer (ver imagem **1** ou **2**).
- Orientar o apanhador de folhas seguindo as indicações: "**PUMP**" = lado da bomba de filtração / "**CLEANER**" = lado do robot (ver imagem **3**).
- Para um ótimo funcionamento, posicionar o apanhador de folhas de maneira vertical à superfície da água (ver imagem **4**).



Conselho: Proteger o sistema de filtração instalando o apanhador de folhas "Cyclonic™ Leaf Catcher"

O apanhador de folhas permite reter os detritos antes que sejam aspirados no sistema de filtração, com o risco de danificar os equipamentos a longo prazo. Permite também retirar os detritos mais facilmente do que no pré-filtro da bomba, e tem a vantagem de ser transparente para saber a que momento deve ser limpo.



3 Utilização

3.1 I Princípio de funcionamento

Os robots hidráulicos são ligados ao sistema de filtração (a uma tomada de aspiração ou a um skimmer), eles utilizam a energia da bomba de filtração para se deslocar na piscina. A capacidade do robot de subir em paredes varia em função da forma da piscina e do caudal de água disponível.

Os detritos são aspirados pelo robot e capturados no pré-filtro da bomba de filtração ou no apanhador de folhas (acessório incluído ou disponível como opção segundo o modelo).

3.2 I Preparação da piscina



- Este produto destina-se a uma utilização em piscinas instaladas de maneira permanente. Não deve ser utilizado em piscinas desmontáveis. Uma piscina permanente é construída no solo ou sobre o solo e não pode ser facilmente desmontada e guardada.

- O aparelho deve funcionar numa água de piscina cuja qualidade seja a seguinte:

Temperatura da água	Entre 15°C e 35°C
pH	Entre 6.8 e 7.6
Cloro	< 3 mg/l

- Quando a piscina está suja, nomeadamente aquando da primeira instalação do robot, retirar os detritos muito grandes utilizando uma escova manual e uma rede.
- Retirar termómetros, brinquedos e outros objetos que poderiam danificar o aparelho.
- Após a adição de produtos químicos à água, aguardar pelo menos 4 horas antes de colocar o robot na água.
- Certificar-se de que o sistema de filtração e os cestos dos skimmers estão limpos.
- Orientar os bicos de descarga para baixo, se o ajuste for possível.
- Fechar o tampão de fundo da sua piscina.
- Parar a bomba de filtração.

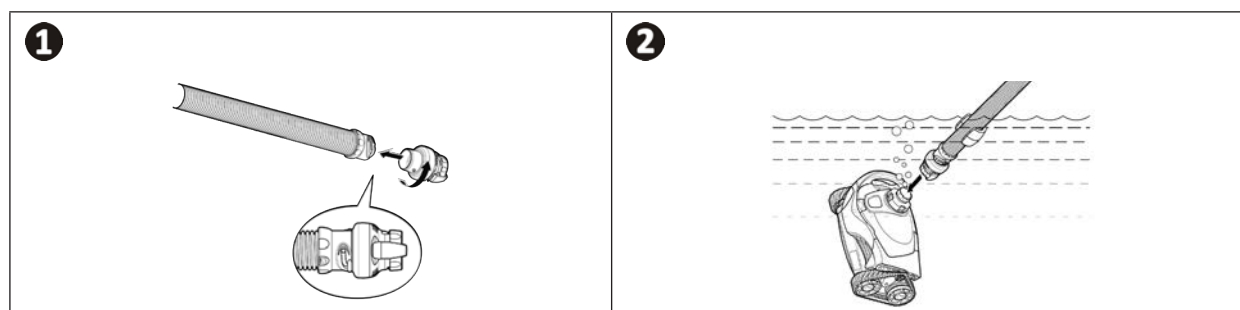
3.3 I Colocação em funcionamento



- Para evitar lesões graves, assegurar-se de que a bomba de filtração está parada.
- Não expor os seus cabelos, roupas largas, joias, etc. à extremidade aberta do tubo.

3.3.1 Ligação do regulador de caudal e imersão do robot

- Conetar a secção de tubo que comporta o flutuador no regulador de caudal (ver imagem 1).
- Imergir o robot para que este se encha de água.
- Quando não escapar mais nenhuma bolha de ar do robot, conectar o tubo, encaixando o regulador de caudal no robot (ver imagem 2).
- Deixar o robot descer até ao fundo da piscina.



3.3.2 Enchimento dos tubos

- Desconectar temporariamente o tubo da tomada de aspiração ou do skimmer.
- Fazer arrancar a bomba de filtração.
- Encher o tubo de água, colocando a sua extremidade diante de um bocal de descarga até que esteja completamente cheio.
- Parar a bomba de filtração e ligar novamente o tubo à tomada de aspiração ou ao skimmer.
- Fazer arrancar a bomba para colocar o robot em funcionamento.

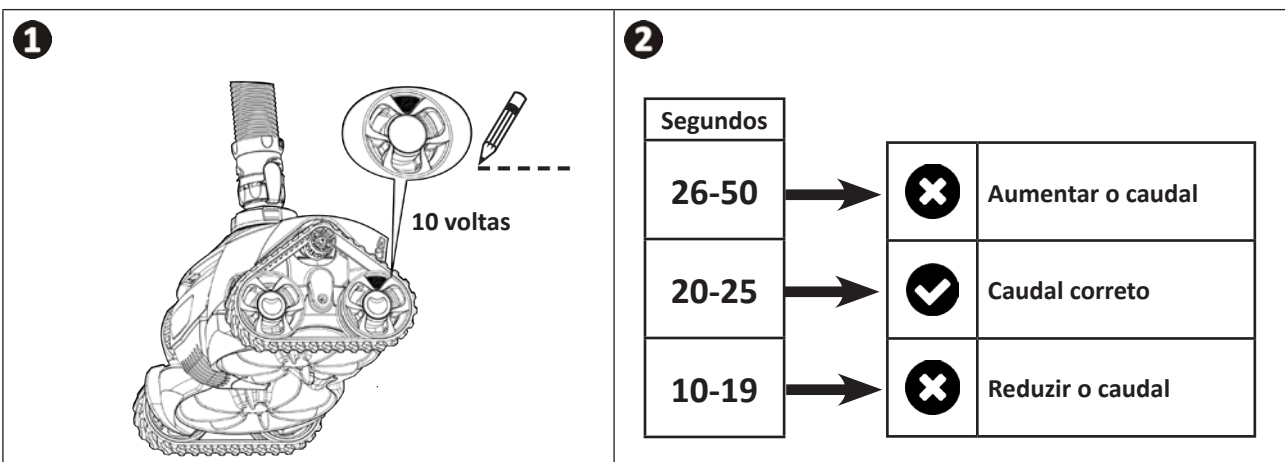
3.4 I Ajuste do caudal de água

- A bomba de filtração deve estar em funcionamento.
- Controlar regularmente o caudal de água para ter certeza de obter uma limpeza perfeita e para facilitar a subida do robot nas paredes.
- O robot está equipado com um regulador de caudal que ajusta automaticamente o caudal de água que circula no robot. Ele indica se o caudal de água está correto ou excessivo: **AMARELO** = caudal correto / **VERMELHO** = caudal excessivo



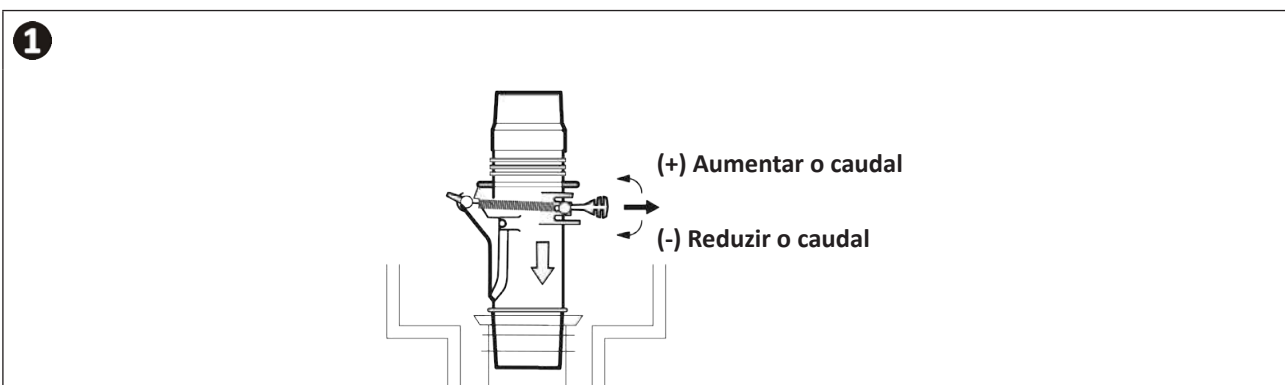
3.4.1 Controlar a velocidade de rotação das rodas

- A bomba de filtração deve estar em funcionamento.
- Ligar a bomba de filtração (munir-se de um cronómetro).
- Levantar o robot logo abaixo da superfície da água, mantendo-o imerso.
- Localizar o indicador amarelo na roda traseira direita (ver imagem 1).
- Para MX8-MX8 PRO - MX9: Aguardar que as rodas mudem de sentido e cronometrar o tempo até que as rodas tenham efetuado 10 rotações (ver imagem 1).
- Ajustar o caudal de água em função do tempo cronometrado (ver imagem 2).



3.4.2 Ajustar o caudal de água

- Ajustar o caudal de água utilizando a válvula de regulação automática do caudal, fornecida com o aparelho (ver imagem 1), ou a partir das válvulas da piscina.



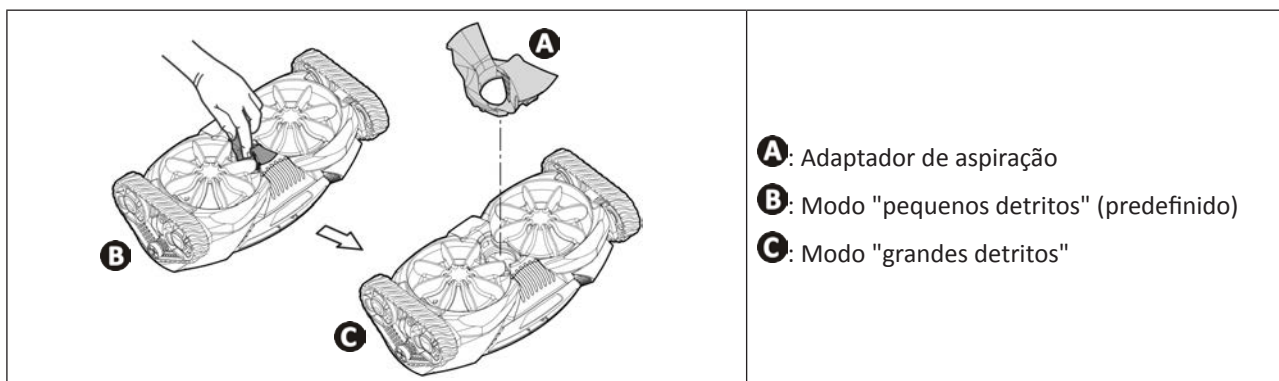
3.5 I Seleção do modo de aspiração: pequenos ou grandes detritos (segundo o modelo)



Antes de começar esta operação e para evitar lesões graves:

- Parar a bomba de filtração.
- Desconetar o robot do tubo.

- O robot dispõe de um adaptador de aspiração, que está situado sob o robot.
- O adaptador permite ajustar a aspiração segundo o tipo de detritos a aspirar: **Modo "pequenos detritos"** (detritos de pequena dimensão ou detritos pesados como areia, lama e seixos), **modo "grandes detritos"** (folhas).
- **Para passar ao modo "grandes detritos"**: retirar o adaptador inserindo um dedo neste e levantando o bordo traseiro.
- **Para voltar ao modo "pequenos detritos"**: pressionar os bordos dianteiro e traseiro do adaptador para encaixá-lo no seu alojamento.



Conselho: Privilegiar o modo "pequenos detritos" durante a temporada dos banhos

Quando a piscina é limpa regularmente, é recomendado deixar o adaptador de aspiração posicionado para ficar em modo "pequenos detritos".



4 Conservação

- O aparelho deve ser limpo regularmente com água limpa ou ligeiramente adicionada de sabão. Não utilizar solvente.
- Enxaguar abundantemente o aparelho com água limpa.
- Nunca armazenar o robot diretamente ao sol. Armazenar os tubos em posição plana, não os enrolar para preservar a forma inicial dos tubos.

4.1 | Limpeza do pré-filtro da bomba de filtração

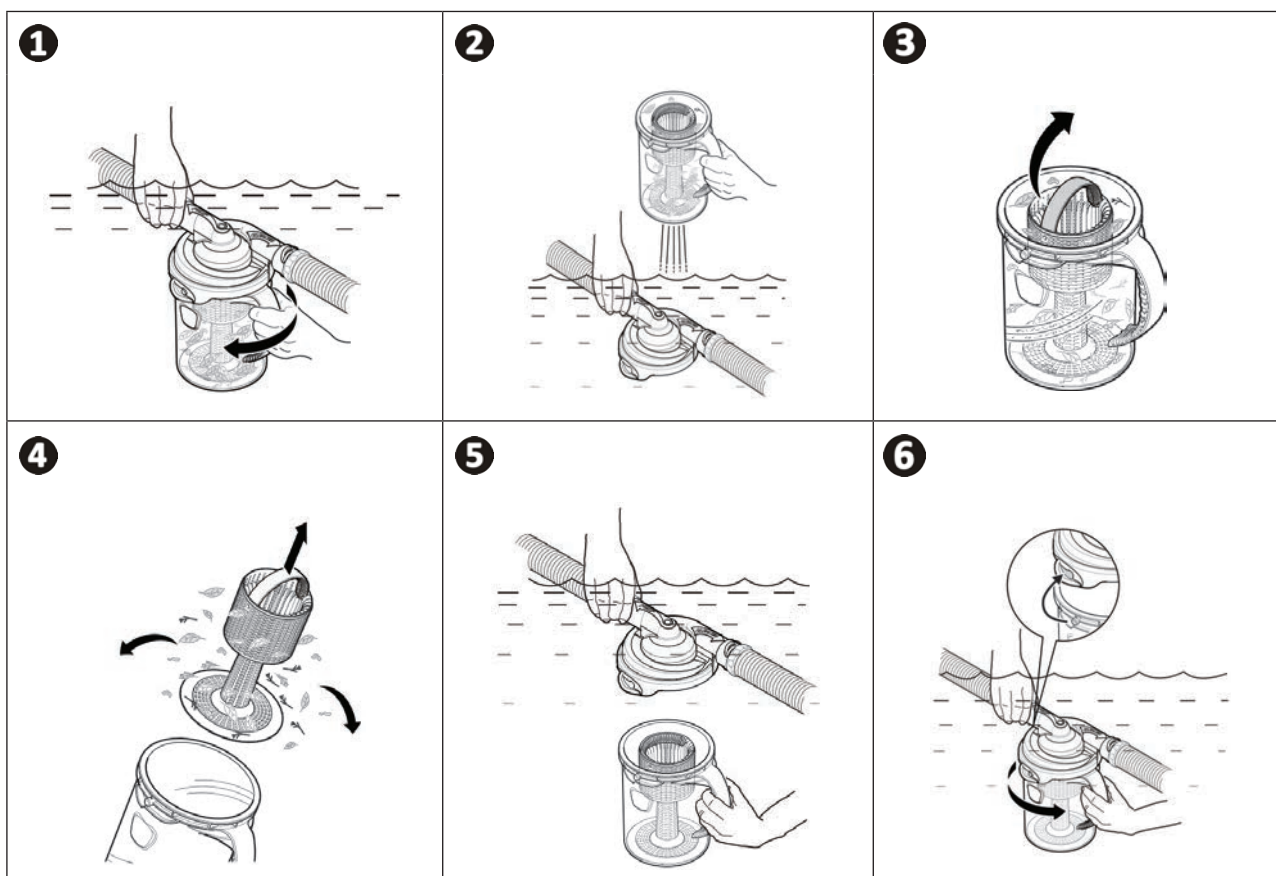


- Retirar sempre o robot da piscina antes de limpar ou purgar o sistema de filtração.
- Após a limpeza (e antes de recolocar o robot na água), fazer arrancar a bomba de filtração durante pelo menos 5 minutos para purgar o circuito.

- Para uma eficácia máxima do robot, é necessário esvaziar regularmente o pré-filtro da bomba, retirando os detritos.
- A utilização do apanhador de folhas (acessório incluído ou opcional, segundo o modelo) é recomendada para recolher os maiores detritos antes que cheguem ao skimmer e ao pré-filtro.

4.2 | Limpeza do apanhador de folhas "Cyclonic™ Leaf Catcher"

- Parar a bomba de filtração.
- Manter o apanhador de folhas sob a água e agarrá-lo pela sua pega. Com o auxílio da pega, fazer rodar a caixa transparente até que se separe (ver imagem 1).
- Retirar a caixa transparente da água, deixar a tampa e os tubos sob a água (ver imagem 2).
- Retirar o filtro com o auxílio da pega do topo (ver imagem 3).
- Retirar os detritos e enxaguar a caixa transparente com água limpa (ver imagem 4).
- Recolocar o filtro no seu lugar e imergir novamente o apanhador de folhas (ver imagem 5).
- Posicionar corretamente a caixa transparente ao nível dos entalhes da tampa, e rodar firmemente para encaixar as 2 partes (ver imagem 6).



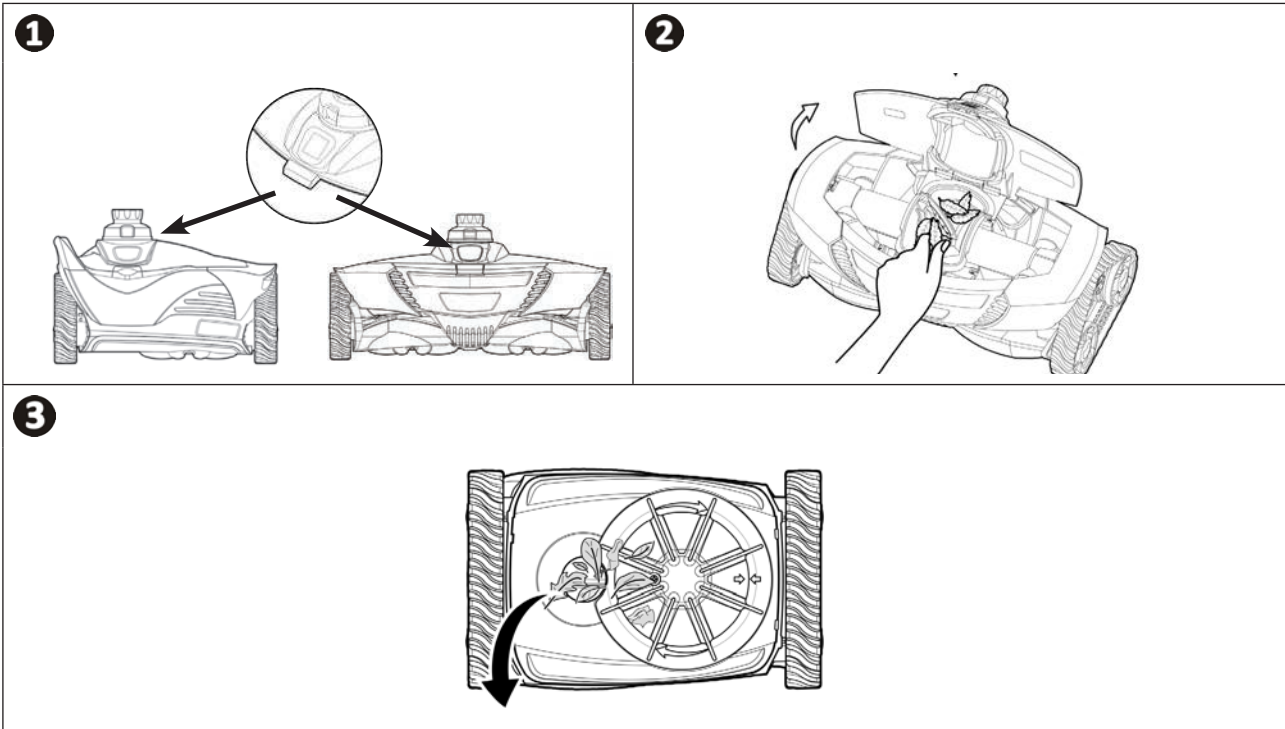
4.3 | Retirar os detritos do motor



Antes de começar esta operação e para evitar lesões graves:

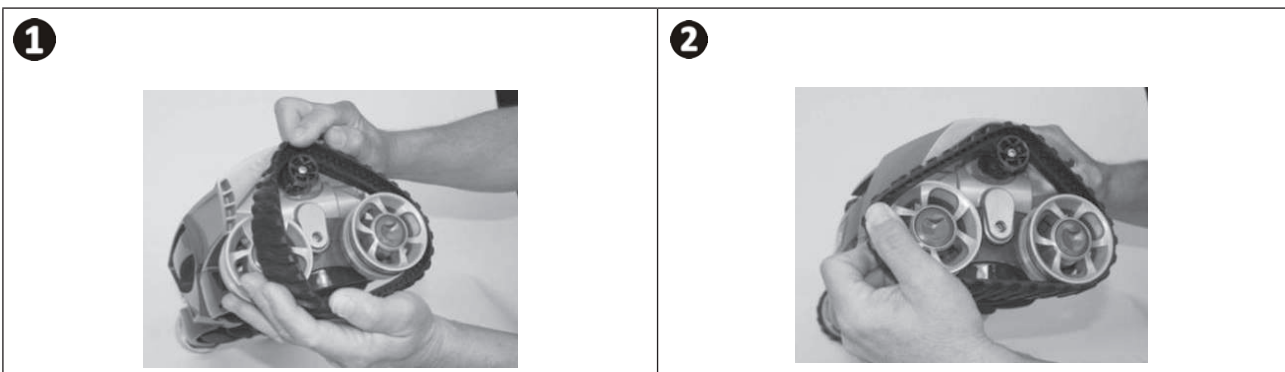
- Parar a bomba de filtração.
- Desconectar o robot do tubo.

- Premir o botão do topo e levantar a tampa (ver imagem 1).
- Retirar os detritos situados no interior (ver imagem 2) e igualmente sob o robot (ver imagem 3).
- Se necessário, empurrar levemente as pás do motor para a frente e para trás para soltar os detritos presos e retirá-los. Ao deslocar as pás, certificar-se de que as lagartas do robot rodam livremente e estão bem sincronizadas com o movimento das pás situadas sob o robot.
- Retirar igualmente os detritos que podem estar presos na boca de aspiração.
- Fechar novamente a tampa e certificar-se de que o trinco está bem engatado.



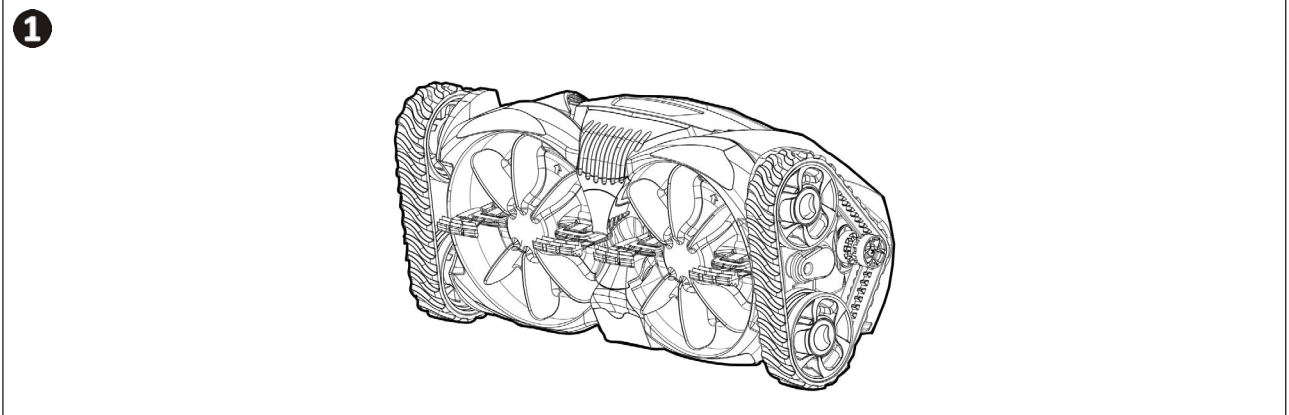
4.4 | Substituição das lagartas

- Colocar o robot sobre um dos seus lados.
- Começando por uma das rodas, puxar pelo interior da lagarta para separá-la da roda (ver imagem 1). Retirar em seguida a lagarta do robot.
- Para instalar a nova lagarta, posicionar o lado interior da lagarta nas ranhuras da roda pequena e em uma das rodas grandes.
- Estender a lagarta em torno da última roda (ver imagem 2). Pressionar a lagarta de maneira a posicioná-la corretamente nas ranhuras das rodas. Certificar-se de que a lagarta passa sob a guia.



➤ 4.5 I Armazenagem e invernagem

- Para a invernagem, esvaziar toda a água do robot (as deteriorações ligadas ao gelo não são cobertas pela garantia).
- Limpar o conjunto do aparelho e os tubos com água limpa, e deixe secar.
- Guardá-los num lugar seco, fora de gelo. Colocar o robot sobre o lado ou as costas para não danificar a turbina (ver imagem 1).
- Retirar todos os conectores e adaptadores da tomada de aspiração ou do skimmer.



Conselho: Preservar o estado dos tubos durante a armazenagem

Quando o robot estiver guardado, mesmo durante curtos períodos, evitar enrolar os tubos: estes podem adotar uma forma que prejudicaria o desempenho do robot.



5 Resolução de problemas



- Antes de contatar o seu revendedor, recomendamos proceder a verificações simples em caso de mau funcionamento, com o auxílio dos seguintes quadros.
- Se o problema persistir, contatar o seu revendedor.

5.1 Comportamentos do aparelho

O robot está imóvel ou muito lento.	<ul style="list-style-type: none"> • Verificar que o tampão do fundo está bem fechado. • Limpar e esvaziar os cestos dos skimmers e o pré-filtro da bomba. • Controlar a zona do motor e retirar todos os detritos visíveis (ver § “4.3 I Retirar os detritos do motor”). • Retirar o adaptador de aspiração sob o robot (ver § “3.5 I Seleção do modo de aspiração: pequenos ou grandes detritos (segundo o modelo)”). • Verificar o caudal (ver § “3.4 I Ajuste do caudal de água”). • Colocar a bomba de filtração em funcionamento e verificar que não há ar no circuito de filtração. Se o pré-filtro da bomba de filtração estiver cheio de bolhas de ar e, ou se o nível de água estiver baixo, isto indica que há ar no circuito de filtração. Se houver ar, isto também será indicado pelo caudal de água na saída dos bicos de descarga. O ar pode se introduzir no circuito de filtração a partir da parte aspiração da bomba (incluindo a presença de furos ou fissuras numa das secções de tubo). • Verificar se o revestimento da piscina não está coberto de algas que tornam a superfície escorregadia e afetam a tração do robot e a subida na parede. Neste caso, proceder a uma cloração de choque e reduzir ligeiramente o pH.
O robot não se desloca por toda a parte na piscina.	<ul style="list-style-type: none"> • Verificar o caudal (ver § “3.4 I Ajuste do caudal de água”). • Orientar os bicos de descarga para baixo, se o ajuste for possível. • Verificar a presença de anéis no tubo. Se o tubo adotou uma forma de anel, parar o robot limpador e retirar as secções de tubos correspondentes. Colocar as secções de tubo nas quais se formaram anéis em posição plana ao sol até que estas secções se endireitem. Reinstalar as secções de tubo no robot limpador. • Verificar se o tubo é suficientemente longo (ver § “2.2 I Montagem das secções de tubos”). Caso contrário, adicionar secções de tubo. • Verificar se a secção de tubo com o flutuador está corretamente posicionada (ver § “2.2 I Montagem das secções de tubos”). • Observar o robot durante mais de cinco minutos e verificar se cada lagarta muda de direção regularmente.
O robot fica bloqueado nas escadas.	<ul style="list-style-type: none"> • Verificar se a junta rotativa situada sobre o topo do robot roda livremente. • Testar o caudal controlando a velocidade de rotação das rodas (ver § “3.4.1 Controlar a velocidade de rotação das rodas”). • Verificar que o tubo é não demasiado longo (ver § “2.2 I Montagem das secções de tubos”). Caso contrário, encurtá-lo retirando secções.
O robot não sobe pelas paredes.	<ul style="list-style-type: none"> • Verificar o caudal (ver § “3.4 I Ajuste do caudal de água”) e aumentá-lo se necessário (ver § “3.4.2 Ajustar o caudal de água”). • Verificar se o flutuador do tubo está corretamente posicionado (ver § “2.2 I Montagem das secções de tubos”). • Verificar que as paredes não estão escorregadias (presença de algas).
O robot ultrapassa a linha de água.	<ul style="list-style-type: none"> • Reduzir o caudal (ver § “3.4.2 Ajustar o caudal de água”). • Verificar se o flutuador do tubo está corretamente posicionado (ver § “2.2 I Montagem das secções de tubos”).
O robot está deitado de lado.	<ul style="list-style-type: none"> • Verificar se o flutuador do tubo está corretamente posicionado (ver § “2.2 I Montagem das secções de tubos”).

Votre revendeur
Your retailer

Modèle appareil
Appliance model

Numéro de série
Serial number

Trouvez plus d'informations et enregistrez votre produit sur
More informations and register your product on

www.zodiac.com

